

GENERAL PERFORMANCE GUIDELINES

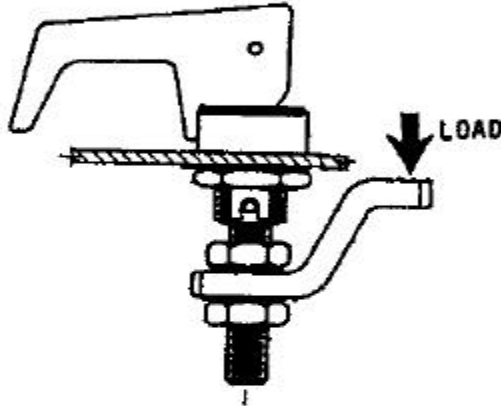
The information shown on this page was determined under one set of test conditions and is supplied as a general guide only, as conditions vary with each application. No safety factor has been applied.

We recommend that the user test the product under conditions that it will experience in actual service to determine its suitability for the intended use.

Maximum Working Load is the maximum load that the product will withstand without affecting the operation or appearance of the product.

The Average Ultimate Load causes failure of the product or sufficient deformation to make the product inoperable.

No. 62 Lift and Turn - 200 Series



MAXIMUM WORKING LOAD 50 LBS(222 N)
AVERAGE ULTIMATE LOAD 95 LBS(421 N)

southco®

No. 62 FASTENER - 200 SERIES

DATE
2/88

DRAWN
MS

CHKD
ACZ

SCALE

DRAWING NUMBER
TD - 62 - 10 - J