

REV.	DATE	BY-CHKD	REVISIONS
G	05MAY2005	BRP/RLR	PRN: 2005-0410
H	09OCT2007	GDW/JSS	PRN: 2007-1265
I	01AUG2011	MJS	PRN: P2011-0999

TOTAL GRIP	I		II	III	SCREW ASS'Y PART NUMBER
	MIN.	MAX.			
.050	.125	.100	.050	THESE SCREWS WILL NOT RETRACT FULLY	09-XX-102-XX
	.250				09-XX-202-XX
	.375				09-XX-302-XX
	.500				09-XX-402-XX
.100	.125	.100	.100	.110	09-XX-103-XX
	.250				09-XX-203-XX
	.375				09-XX-303-XX
	.500				09-XX-403-XX
.150	.250	.150	.150	.185	09-XX-204-XX
	.375			.310	09-XX-304-XX
	.500			.435	09-XX-404-XX
.200	.250	.200	.200	.135	09-XX-205-XX
	.375			.260	09-XX-305-XX
	.500			.385	09-XX-405-XX
.300	.375	.300	.300	.160	09-XX-307-XX
	.500			.285	09-XX-407-XX
.400	.500	.400	.400	.185	09-XX-409-XX

### TO SELECT A SCREW ASSEMBLY:

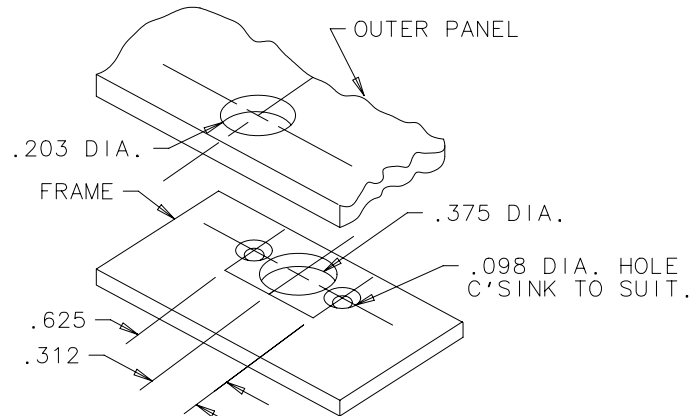
1. MEASURE YOUR TOTAL GRIP (OR GRIP RANGE, IF THE SAME SIZE SCREW IS TO BE USED IN SEVERAL APPLICATIONS). TOTAL GRIP IS THE DISTANCE FROM THE OUTER SURFACE OF THE PANEL TO THE INNER SURFACE OF THE FRAME (PANEL PLUS FRAME PLUS SPACE CREATED BY GASKETS, FLANGES, ETC.).
2. SELECT FROM COLUMN I THAT GRIP RANGE WHICH MOST CLOSELY BRACKETS YOUR GRIP REQUIREMENT.
3. CHECK COLUMN II TO MAKE SURE THAT YOUR OUTER PANEL THICKNESS DOES NOT EXCEED THE MAXIMUM LISTED.
4. IF FULL SCREW RETRACTION (COMPLETE DISENGAGEMENT OF THE SCREW FROM THE RECEPTACLE WITHOUT LIFTING OF THE OUTER PANEL) IS DESIRED, CHECK COLUMN III. THE DISTANCE FROM THE INNER SURFACE OF THE PANEL TO THE INNER SURFACE OF THE FRAME, DIMENSION "A", MUST NOT BE LESS THAN THE MINIMUM LISTED.  
IF FULL SCREW RETRACTION CANNOT BE OBTAINED FOR YOUR APPLICATION, USE A SOUTHCO NO. 09 SADDLE TYPE RECEPTACLE.

### TO CAPTIVATE SCREW ASSEMBLY IN OUTER PANEL:

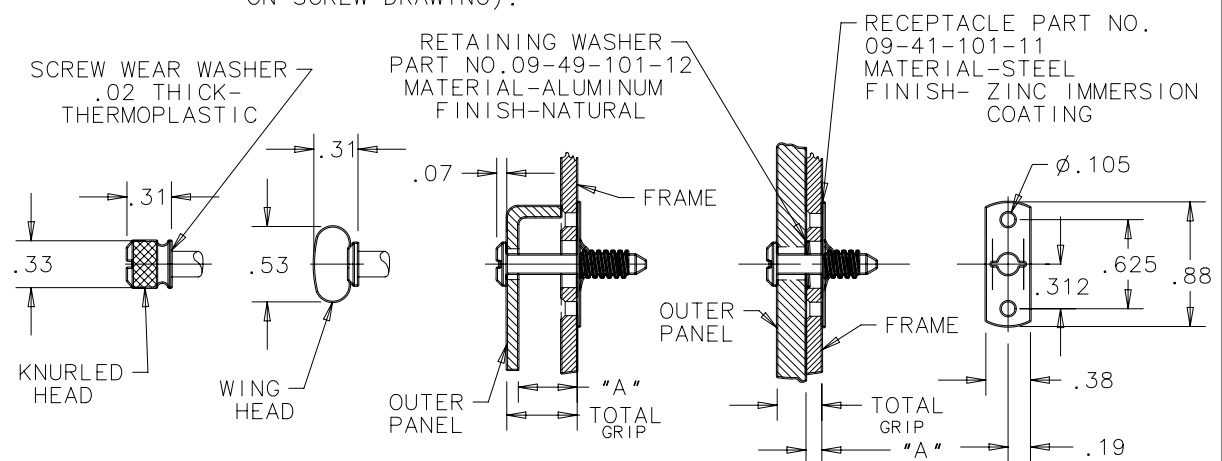
1. PLACE SCREW ASSEMBLY INTO PANEL AND THREAD RETAINING WASHER TO THE POSITION BEHIND THE THREAD OF THE SCREW.
2. PLACE SOUTHCO SET TOOL (PART NO.09-50-101-11) OVER SCREW. BACK -UP BEHIND SCREW HEAD FOR SOLIDNESS. STRIKE SET TOOL A SHARP BLOW TO FLATTEN WASHER. WASHER MAY BE FLATTENED BY HOLDING SET TOOL AGAINST WASHER AND STRIKING HEAD OF SCREW WITH RAWHIDE OR LEAD MALLET.

PAT. 3,892,031

COLUMN III IN ABOVE TABLE IS BASED ON THE FOLLOWING FORMULA: SCREW WILL RETRACT FULLY IF DISTANCE FROM INNER SURFACE OF PANEL TO INNER SURFACE OF FRAME PLUS .037 IS EQUAL TO OR GREATER THAN THE THREAD LENGTH OF THE SCREW (DIMENSION "B" ON SCREW DRAWING).



HOLE PREPARATION



FORMAT A 1/88