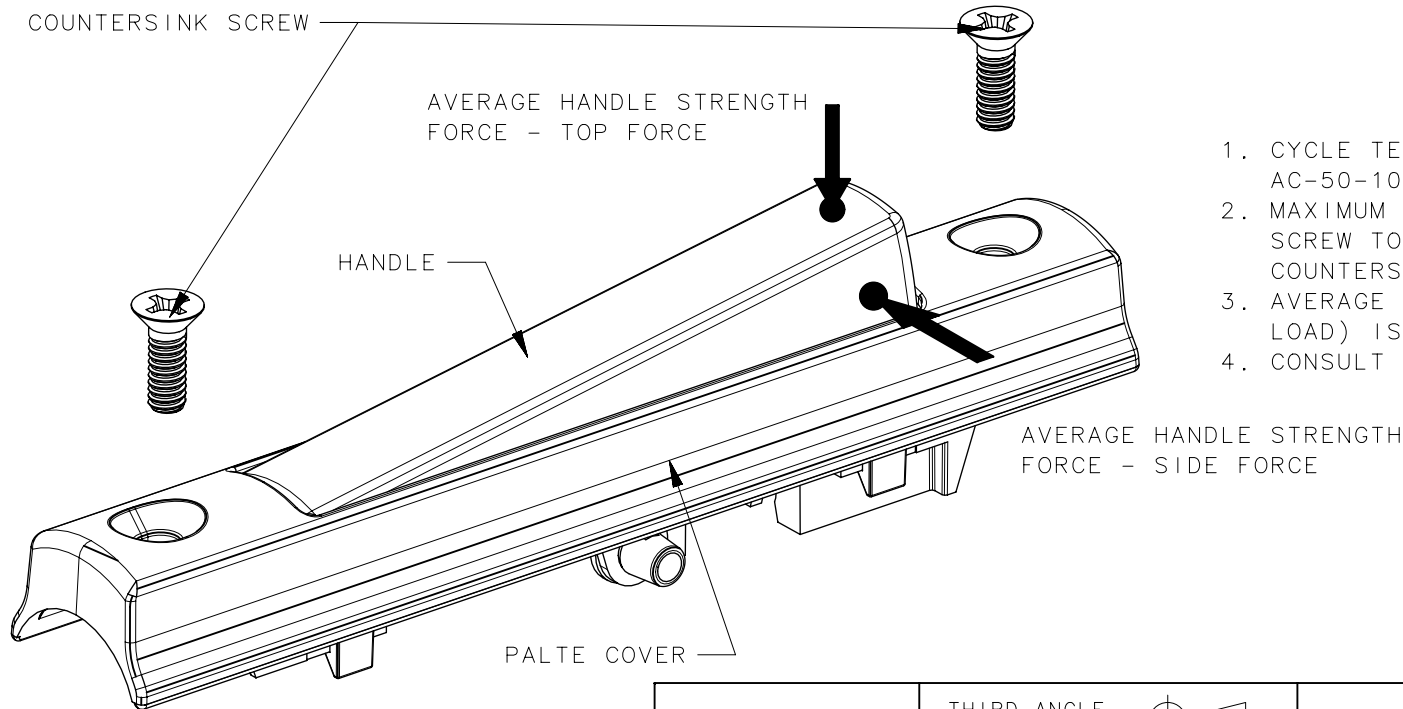


SOUTHCO PERFORMANCE GUIDELINES

REVISION HISTORY			
REV	DATE	BY	DESCRIPTION
A	12DEC2014	IW/LC	PRN: P2014-2481

THE PERFORMANCE GUIDELINES SHOWN ON THIS PAGE ARE SUPPLIED AS A GENERAL GUIDE ONLY, AS CONDITIONS VARY WITH EACH APPLICATION AND METHOD OF INSTALLATION, STRENGTH DATA GIVEN IS FOR FAILURE OF THE PRODUCT OR FOR SUFFICIENT DEFORMATION TO MAKE THE PRODUCT INOPERABLE. ON SAFETY FACTOR HAS BEEN APPLIED. IT IS RECOMMENDED THAT THE USER REQUEST A PRODUCT SAMPLE FOR TESTING TO DETERMINE THE SUITABILITY OF THE PRODUCT FOR THE PURPOSE INTENDED AND USER'S PARTICULAR APPLICATION.

PART NUMBER	RECOMMENDED INSTALLATION COUNTERSINK SCREW TORQUE	AVERAGE HANDLE STRENGTH FORCE - TOP LOAD	AVERAGE HANDLE STRENGTH FORCE - SIDE LOAD	CYCLE LIFE
AC-50-101-11	2 N.m	2000 N	575 N	40,000



1. CYCLE TEST WERE PERFORMED WITH PART NUMBER AC-50-101-11 AND R4-99-387.
2. MAXIMUM RECOMMENDED INSTALLATION COUNTERSINK SCREW TORQUE IS THE TORQUE THAT FAILED THE COUNTERSINK SCREW HEAD.
3. AVERAGE HANDLE STRENGTH FORCE (TOP LOAD/SIDE LOAD) IS FORCE THAT DESTROY THE HANDLE.
4. CONSULT SOUTHCO FOR OTHER TECHNICAL DETAILS.

REF: trAC-18734

THIRD ANGLE PROJECTION		 CONNECT • CREATE • INNOVATE	
MILLIMETERS [IN]			
TOLERANCES UNLESS OTHERWISE NOTED		DESCRIPTION	
UP TO 0.5 ±0.05		SQUEEZE HANDLE ASSEMBLY	
OVER 0.5 UP TO 6 ±0.1		SIZE	SYSTEM
OVER 6 UP TO 30 ±0.2		A4	NX
OVER 30 ±0.3		DWG NO.	TD-AC-50
ANGLES ±1°		SCALE	1:1
PER ASME Y14.5M-1994		DRAWN BY	IW/LC
PROPRIETARY ITEM <small>EXCEPT FOR USES EXPRESSLY GRANTED IN WRITING, INFORMATION DISCLOSED HEREON IS CONFIDENTIAL AND ALL RIGHTS, PATENT AND OTHERWISE, ARE RESERVED BY SOUTHCO, INC.</small>		DATE	12NOV2014
		SHEET	1 OF 1