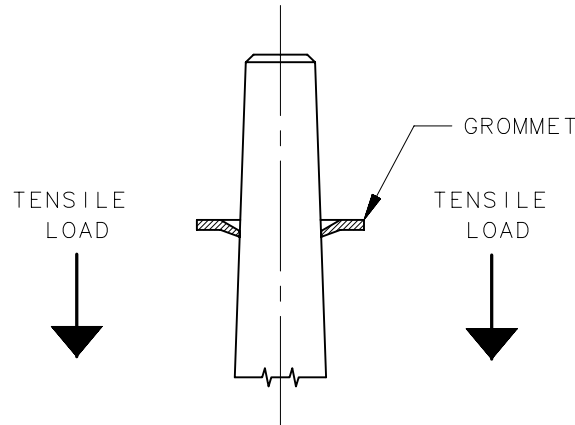


REVISION HISTORY			
REV	DATE	BY	DESCRIPTION
A	27NOV2013	DMS/SP	PRN: P2013-2378

SOUTCO PERFORMANCE GUIDELINES

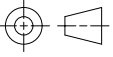
THE PERFORMANCE GUIDELINES SHOWN ON THIS PAGE ARE SUPPLIED AS A GENERAL GUIDE ONLY, AS CONDITIONS VARY WITH EACH APPLICATION AND METHOD OF INSTALLATION. STRENGTH DATA GIVEN IS FOR FAILURE OF THE PRODUCT OR FOR SUFFICIENT DEFORMATION TO MAKE PRODUCT INOPERABLE. NO SAFETY FACTOR HAS BEEN APPLIED IT IS RECOMMENDED THAT THE USER REQUEST A PRODUCT SAMPLE FOR TESTING TO DETERMINE THE SUITABILITY OF THE PRODUCT FOR THE PURPOSE INTENDED AND USER'S PARTICULAR APPLICATION.



PART NUMBER TESTED	AVERAGE DIAMETER OF SHAFT MEASURED AT FAILURE POINT OF GROMMET	
	HIGH DENSITY POLYETHYLENE	POLYPROPYLENE
D4-GP5B	Ø 7.58	Ø 12.66

- ① PRODUCT TO BE FORCED OVER TAPERED SHAFT UNTIL CAUSES FAILURE, OR SUFFICIENT DEFORMATION TO MAKE THE PRODUCT INOPERABLE.

REF.: TR D4-14800

	THIRD ANGLE PROJECTION					southco [®] CONNECT • CREATE • INNOVATE			
	MILLIMETERS [IN]								
	TOLERANCES UNLESS OTHERWISE NOTED	DESCRIPTION				PLASTIC HALF GROMMET TYPE GP5			
SURFACE AREA	ALL DIMENSIONS WITHOUT TOLERANCES ARE FOR REFERENCE ONLY.	SIZE	SYSTEM	DWG NO.					
VOLUME		A4	NX	TD-D4-GP5-J					
PROPRIETARY ITEM <small>EXCEPT FOR USES EXPRESSLY GRANTED IN WRITING, INFORMATION DISCLOSED HEREON IS CONFIDENTIAL AND ALL RIGHTS, PATENT AND OTHERWISE, ARE RESERVED BY SOUTHCO, INC.</small>	PER ASME Y14.5M-1994	DRAWN BY	DMS/SP	DATE	27NOV2013	SCALE	2:1	SHEET	1 OF 1