



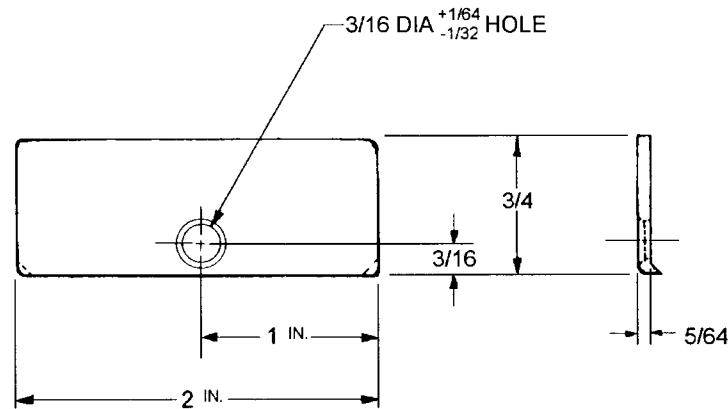
SOUTHCO NO. 2 KEEPER - SCREW MOUNTED

DATE	DRAWN	CHKD	SCALE	DRAWING NUMBER
12-12-79	JGK		NTS	J-02-14-202-11

REV. LET.	DATE	BY-CHKD	REVISIONS	PART NO.	MATERIAL	FINISH	R.S.	DATE	APP.
A	3-25-75	ESK	FINISH NOTE "A" WAS CAD. PL. PER QQ-P-416 TY.I, CL.3	02-14-202-11	1010 STEEL	SEE NOTE "A"	A		
B	5-3-77	pek	PRN: 120-14	02-14-202-15	1010 STEEL	SEE NOTE "B"	B		
C	1-18-82	ESK	PRN: S-1-01				C		
D	7-29-86	SS	PRN: 02-52				D		
E	5MAR93	JRR	PRN: S-1-03						

NOTE "A" - ZINC PLATE PER QQ-Z-325 TY.I, CL.3

NOTE "B" - NICKEL PLATE PER QQ-N-290 TY.IV, (QS) CL.1



NOTE: ATTACH WITH NO. 5 FLAT HEAD SCREW