

**southco**

PROPRIETARY ITEM - EXCEPT FOR USES EXPRESSLY GRANTED IN WRITING INFORMATION DISCLOSED HEREON IS CONFIDENTIAL AND ALL RIGHTS PATENT AND OTHERWISE ARE RESERVED BY SOUTHCO, INC.

E3 VISE ACTION™ COMPRESSION LATCH ASSEMBLY  
SINGLE HOLE MOUNT, FIXED GRIP, STAINLESS STEEL

DATE	DRAWN	CHKD	SCALE	DRAWING NUMBER
08SEP2004	AAB	MJS	NTS	TD-E3-11-J

REV	DATE	DRAWN/CHKD	DESCRIPTION
C	26FEB2009	MJS/MJS	PRN: P2009-0247
D	14JUL2011	ACH/MG	PRN: P2011-0842
E	18OCT2022	CMS/JDC	PRN: P2022-1846



SOUTHCO PERFORMANCE GUIDELINES

THE PERFORMANCE GUIDELINES SHOWN ON THIS PAGE ARE SUPPLIED AS A GENERAL GUIDE ONLY, AS CONDITIONS VARY WITH EACH APPLICATION AND METHOD OF INSTALLATION. STRENGTH DATA GIVEN IS FOR FAILURE OF THE PRODUCT OR FOR SUFFICIENT DEFORMATION TO MAKE PRODUCT INOPERABLE. NO SAFETY FACTOR HAS BEEN APPLIED. IT IS RECOMMENDED THAT THE USER REQUEST A PRODUCT SAMPLE FOR TESTING TO DETERMINE THE SUITABILITY OF THE PRODUCT FOR THE PURPOSE INTENDED AND USER'S PARTICULAR APPLICATION.

ASSEMBLY PART NUMBERS

E3-10W-XX2	E3-10W-XX12	E3-20WW-XX2
E3-101W-XX2	E3-101W-XX12	E3-20WW-XX12
E3-12W-XX2	E3-12W-XX12	E3-21WW-XX2
E3-121W-XX2	E3-121W-XX12	E3-21WW-XX12

COMPRESSIVE STRENGTH - MAXIMUM WORKING LOAD: 445 N (100 lbf)

- AVERAGE ULTIMATE LOAD: 748 N (168 lbf)

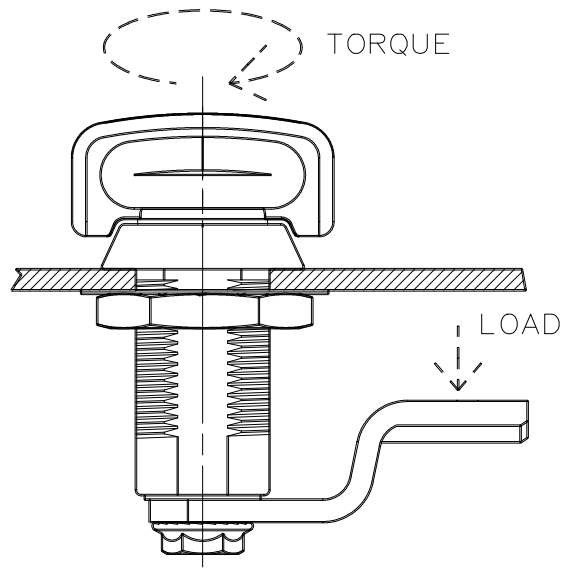
MAXIMUM WORKING LOAD - THE MAXIMUM RECOMMENDED LOAD AT WHICH THE PRODUCT CONTINUES TO FUNCTION PROPERLY.

AVERAGE ULTIMATE LOAD - THE LOAD THAT CAUSES FAILURE OR EXCESSIVE DEFORMATION WHICH RENDERS THE PRODUCT INOPERABLE.

TORQUE LIMITS - TO DEVELOP A COMPRESSIVE FORCE ON THE PAWL OF 445 N (100 lbf), AN OPERATING TORQUE OF 6.94 N m (62 lbf in) IS REQUIRED TO LOCK THE FASTENER.

RECOMMENDED TIGHTENING TORQUE - MOUNTING NUT: 20 N m (177 lbf in)  
- MOUNTING SCREW: 10 N m (88.5 lbf in)

CYCLE TEST - 10,000 CYCLES WITH 450N LOAD ON PAWL.



KNOB STYLE SHOWN