

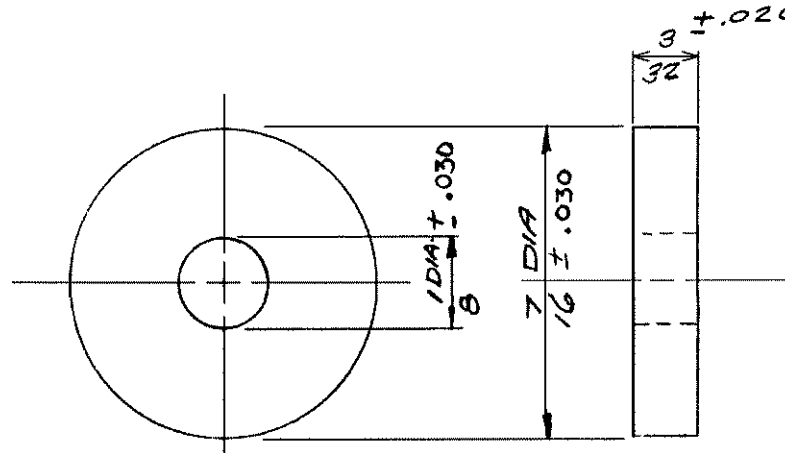


LION FASTENER No.5  
RUBBER GROMMET

DATE	DRAWN	CHKD	SCALE	DRAWING NUMBER
G.S.S.	E.S.K.	ASK.	N.T.S.	J-85-10

REV. LET.	DATE	BY-CHKD	REVISIONS	PART No.	MATERIAL	FINISH	LION PART No.
A	12-2-60	T.P.S.	DELETED PART NO 85-33-101-19 (RUBBER-BLACK) GR-1 WAS SHOWN NEXT TO 85-33-101-19	85-33-101-27	SYNTHETIC RUBBER	NATURAL BLACK	GR-1
B	3-29-61	E.S.K. T.P.G.	ADDED UNIT WEIGHT				
C	6-14-77	E.S.K.	PRN 420-14				
D	2-8-82	K.F.	PRN S-1-01				
E	10-27-86	G.J.C.	UPDATED TOLERANCES				
F	12JAN93	J.C.	PRN: S-1-03				

UNIT WEIGHT = .0005 LBS.



PROPRIETARY ITEM - EXCEPT FOR USES EXPRESSLY GRANTED IN WRITING.  
 INFORMATION DISCLOSED HEREON IS CONFIDENTIAL AND ALL RIGHTS,  
 PATENT AND OTHERWISE, ARE RESERVED BY SOUTHCO, INC.

TOLERANCE UNLESS OTHERWISE NOTED  
 DECIMALS ±      FRACTIONS ±      ANGLES ±

DRAWING NUMBER
J-85-10