



PROPRIETARY ITEM - EXCEPT FOR USES EXPRESSLY GRANTED IN WRITING INFORMATION DISCLOSED HEREON IS CONFIDENTIAL AND ALL RIGHTS PATENT AND OTHERWISE ARE RESERVED BY SOUTHCO, INC.

## SOUTHCO No.85 SINGLE HOLE RECEPTACLE

| DATE    | DRAWN | CHKD | SCALE | DRAWING NUMBER |
|---------|-------|------|-------|----------------|
| 1-14-74 | RHB   |      | 1.5:1 | J-85-35-308-55 |

| REV | DATE      | DRAWN/CHKD | DESCRIPTION     | ITEM       | PART NO.     | MATERIAL            | FINISH             |
|-----|-----------|------------|-----------------|------------|--------------|---------------------|--------------------|
| H   | 06AUG93   | MPF/       | PRN:S-          | ASSEMBLY   | 85-35-308-55 | -                   | -                  |
| I   | 06DEC1996 | JAC/       | PRN:S-1-06A     | RECEPTACLE | -            | CASE HARDENED STEEL | SEE NOTE "A"       |
| J   | 23JUN2005 | BRP/RLR    | PRN: P2005-0743 | SHELL      | -            | CASE HARDENED STEEL | SEE NOTE "A"       |
| K   | 17JAN2008 | GDW/CHW    | PRN: P2008-0048 | SPRING     | -            | STAINLESS STEEL     | ZINC FLAKE COATING |
| L   | 25JUN2010 | ACH        | PRN: P2010-0651 | RETAINER   | -            | STAINLESS           | PASSIVATE          |
| M   | 19MAY2014 | CMS/JCG    | PRN: P2014-0973 |            |              |                     |                    |

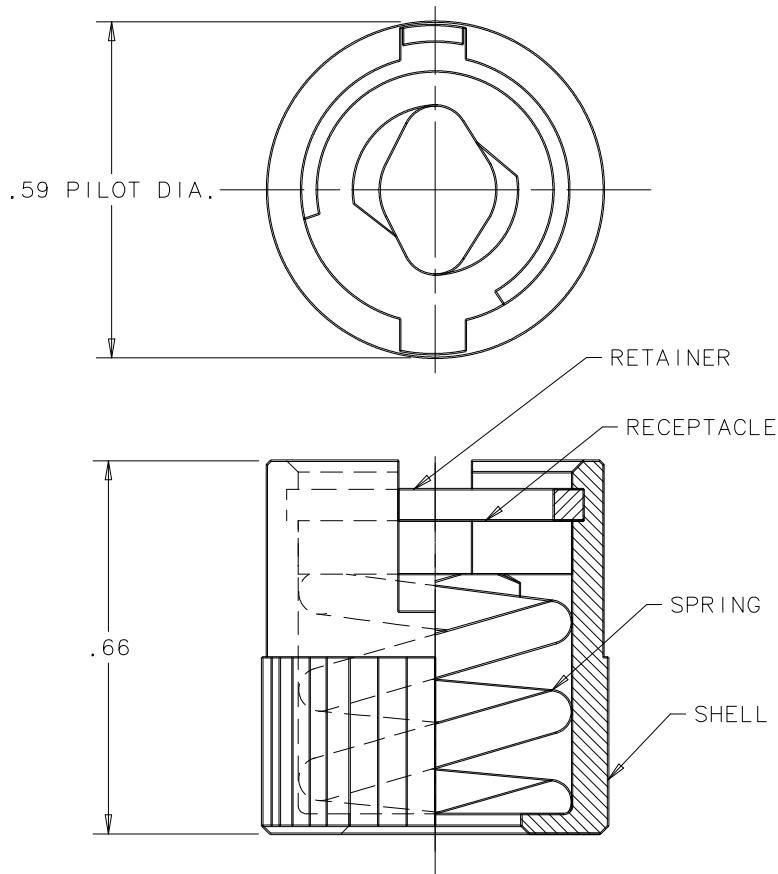
INCHES

ALL DIMENSIONS WITHOUT TOLERANCES ARE FOR REFERENCE ONLY.

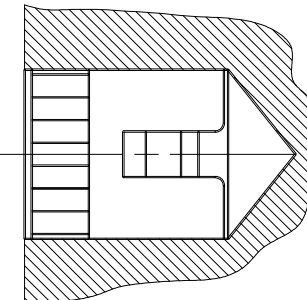
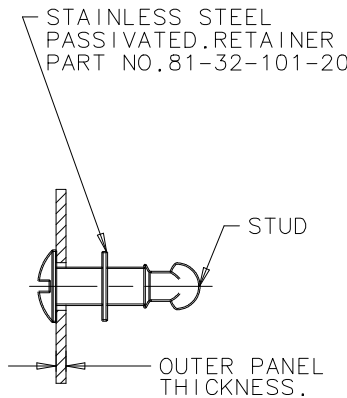
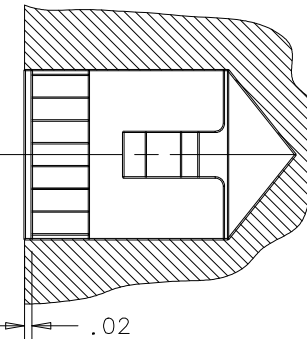
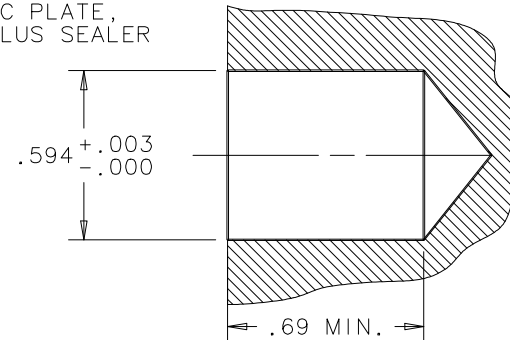
THIRD ANGLE PROJECTION

A  
PAPER  
SIZE

### RECEPTACLE ASSEMBLY



NOTE "A" - ZINC PLATE, CHROMATE PLUS SEALER



### INSTALLATION INSTRUCTIONS

1. DRILL  $\phi$ .594 HOLE IN INNER MEMBER.
2. PRESS RECEPTACLE ASSEMBLY INTO A DEPTH OF .025 BELOW SURFACE. SLOT MAY BE POSITIONED AS DESIRED; WHEN LOCKED UP, SLOT IN STUD WILL BE PERPENDICULAR TO SLOT IN RECEPTACLE.