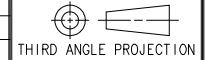


REV	DATE	DRAWN/CHKD	DESCRIPTION
A	09APR2002	GDM	UPDATE FORMAT

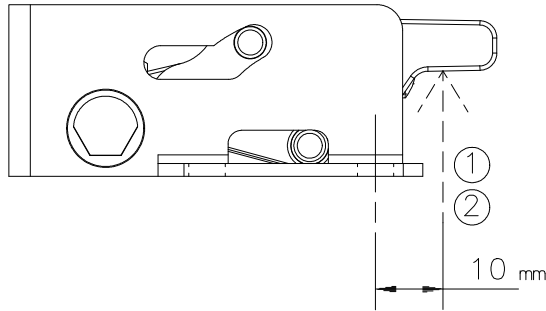


A4 PAPER SIZE

SOUTHCO PERFORMANCE GUIDELINES  
 THE PERFORMANCE GUIDELINES SHOWN ON THIS PAGE ARE SUPPLIED AS A GENERAL GUIDE ONLY, AS CONDITIONS VARY WITH EACH APPLICATION AND METHOD OF INSTALLATION. STRENGTH DATA GIVEN IS FOR FAILURE OF THE PRODUCT OR FOR SUFFICIENT DEFORMATION TO MAKE PRODUCT INOPERABLE. NO SAFETY FACTOR HAS BEEN APPLIED IT IS RECOMMENDED THAT THE USER REQUEST A PRODUCT SAMPLE FOR TESTING TO DETERMINE THE SUITABILITY OF THE PRODUCT FOR THE PURPOSE INTENDED AND USER'S PARTICULAR APPLICATION.

ASSEMBLY PART NUMBER M3-50

- ① MAXIMUM RECOMMENDED WORKING LOAD:  
890 N AT MAXIMUM GRIP (20mm)
- ② AVERAGE ULTIMATE LOAD:  
1335 N AT MAXIMUM GRIP (20mm)
- ③ CYCLE LIFE: 5000 CYCLES AT 334 N



AVERAGE ULTIMATE LOAD- THE LOAD THAT CAUSES FAILURE OR EXCESSIVE DEFORMATION WHICH RENDERS THE PRODUCT INOPERABLE.

MAXIMUM RECOMMENDED WORKING LOAD- THE MAXIMUM RECOMMENDED LOAD AT WHICH THE PRODUCT CONTINUES TO FUNCTION PROPERLY.