

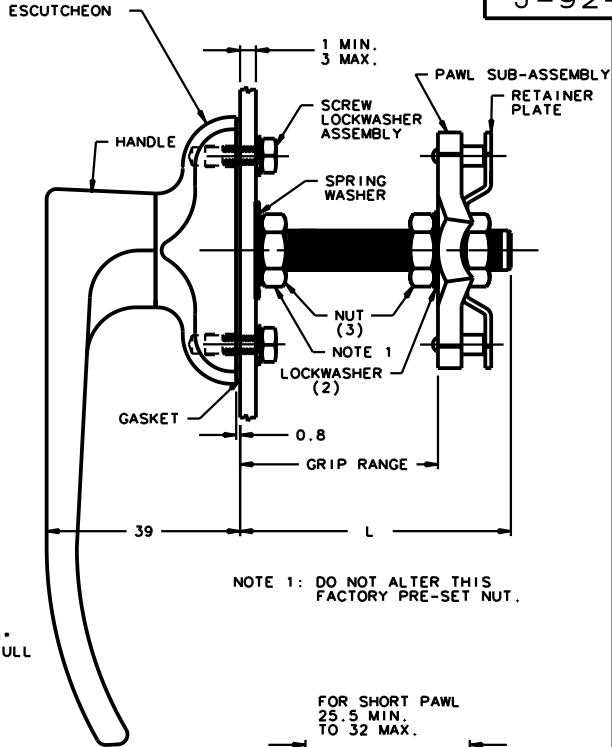
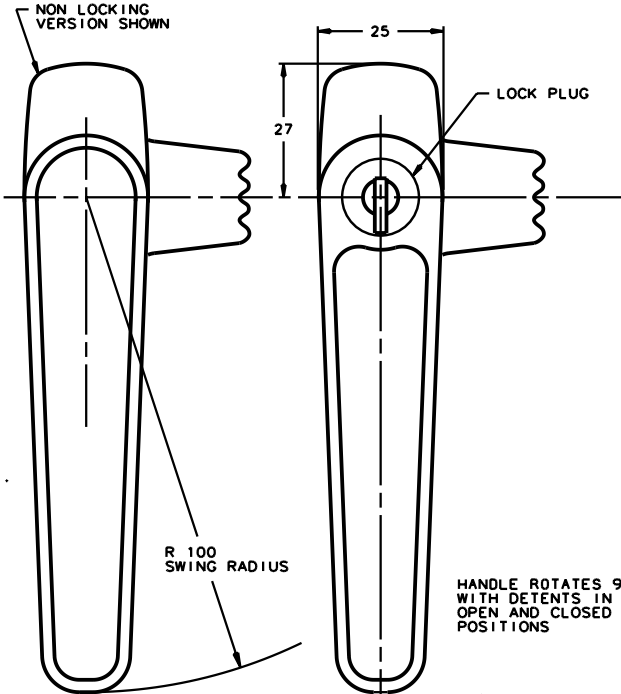
HANDLE STYLE	L	GRIP RANGE		ASSEMBLY PART NUMBERS SHORT PAWL		ASSEMBLY PART NUMBERS LONG PAWL	
		MIN.	MAX.	TYPE "A"	TYPE "B"	TYPE "A"	TYPE "B"
BRIGHT CHROME PLATED							
WITH LOCK	32	16	19	92-41-111	92-42-111	92-41-112	92-42-112
	44.5	16	32	92-41-121	92-42-121	92-41-122	92-42-122
	57.5	16	44.5	92-41-131	92-42-131	92-41-132	92-42-132
WITHOUT LOCK	32	16	19	92-31-111	92-32-111	92-31-112	92-32-112
	44.5	16	32	92-31-121	92-32-121	92-31-122	92-32-122
	57.5	16	44.5	92-31-131	92-32-131	92-31-132	92-32-132
BLACK POWDER COATED							
WITH LOCK	32	16	19	92-41-511	92-42-511	92-41-512	92-42-512
	44.5	16	32	92-41-521	92-42-521	92-41-522	92-42-522
	57.5	16	44.5	92-41-531	92-42-531	92-41-532	92-42-532
WITHOUT LOCK	32	16	19	92-31-511	92-32-511	92-31-512	92-32-512
	44.5	16	32	92-31-521	92-32-521	92-31-522	92-32-522
	57.5	16	44.5	92-31-531	92-32-531	92-31-532	92-32-532

MATERIAL AND FINISH

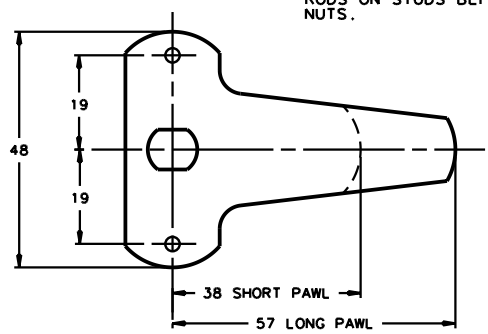
KEYS: BRASS, NICKEL PLATED. TO CH751.
 BLACK POWDER COATED ON HEAD. KEYED ALIKE
 LOCKPLUG: DIE CAST ZINC, BRIGHT STAINLESS STEEL SCALP OR
 LOCKSLIDE: DIE CAST ZINC WITH CHEMICAL PROTECTIVE FILM.
 PIN: 1008 STEEL, ZINC PLATED PLUS YELLOW CHROMATE .
 O-RING: BUNA-N RUBBER, NATURAL
 SPRING WASHER: 300 STAINLESS STEEL, ZINC PLATE PLUS BRIGHT CHROMATE.
 GASKET: SBR RUBBER WITH FIBER, NATURAL.
 PLUS SEALER.
 LOCKWASHERS: SPRING STEEL, ZINC ALLOY PLATE, BRIGHT CHROMATE
 CARBON STEEL, ZINC ALLOY PLATE, BRIGHT CHROMATE PLUS SEALER.
 SHAFT, NUTS, MOUNTING SCREWS, RETAINER PLATE, PAWL: LOW
 OR BLACK POWDER COATED.
 HANDLE & ESCUTCHEON: DIE CAST ZINC, BRIGHT CHROME PLATED

INSTALLATION

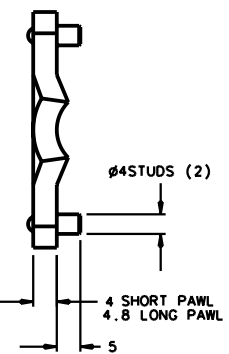
1. PREPARE PANEL AS SHOWN
2. ASSEMBLE HARDWARE AS SHOWN
3. MOVE PAWL ASSEMBLY TO DESIRED GRIP POSITION AND TIGHTEN NUTS AGAINST PAWL ASSEMBLY WITH TWO WRENCHES.
4. FOR THREE-POINT LATCHING, INSTALL RODS ON STUDS BEFORE TIGHTENING NUTS.



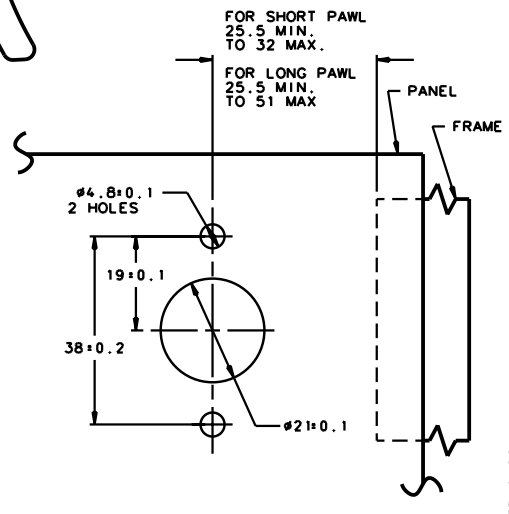
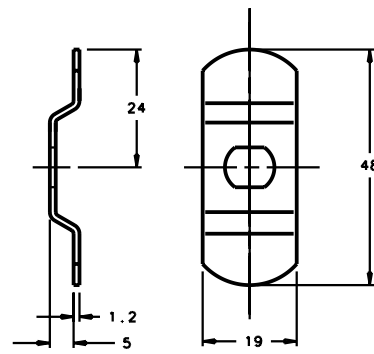
NOTE 1: DO NOT ALTER THIS FACTORY PRE-SET NUT.



PAWL SUB-ASSEMBLY



RETAINER PLATE



PANEL PREPARATION

FORMAT B 2/88
 PROPRIETARY ITEM - EXCEPT FOR USES EXPRESSLY GRANTED IN WRITING INFORMATION DISCLOSED HEREON IS CONFIDENTIAL AND ALL RIGHTS PATENT AND OTHERWISE ARE RESERVED BY SOUTHCO, INC.

ALL DIMENSIONS ARE IN MILLIMETERS.
 ALL DIMENSIONS WITHOUT TOLERANCES ARE REFERENCE.
 THIRD ANGLE PROJECTION DRAWING.