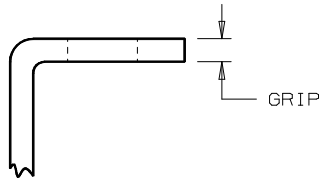
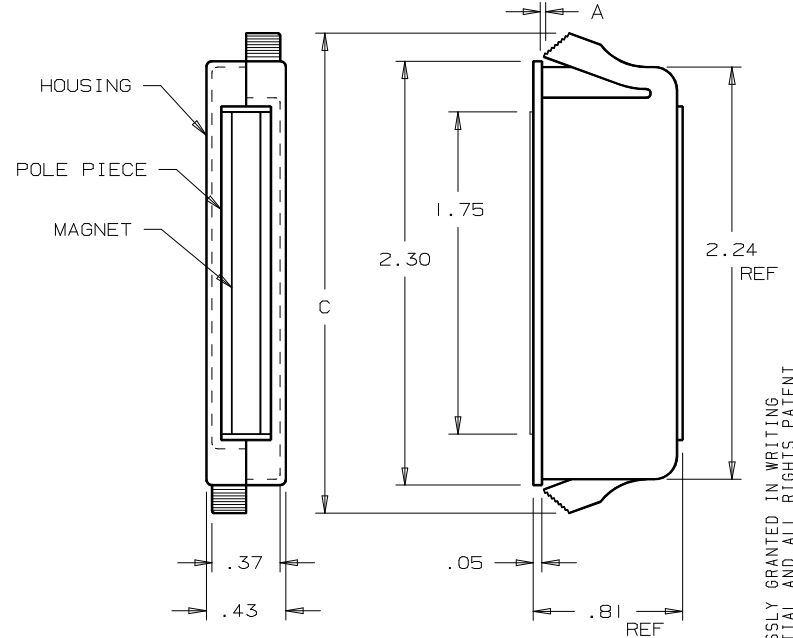
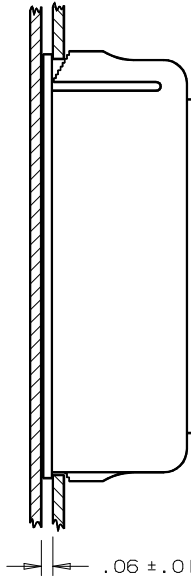
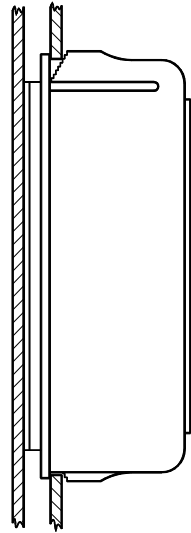
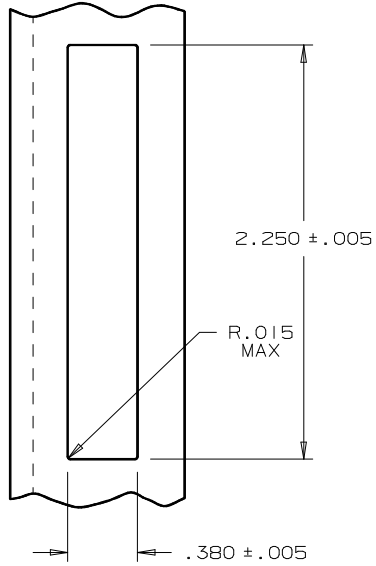




No. 02-200 SERIES MAGNETIC CATCH

DATE	DRAWN	CHKD	SCALE	DRAWING NUMBER
3-1-69	WJD	RHB	FULL	J-02-10-20-10

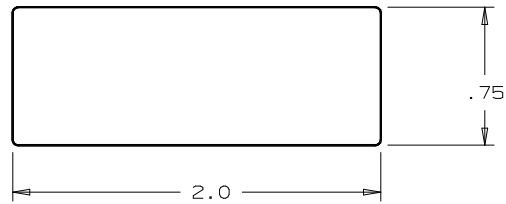
REV.	DATE	BY-CHKD	REVISIONS	CATCH PART No.	GRIP RANGE	DIM A	DIM C	ITEM	MATERIAL	FINISH
K	2-7-90	JSS	REDWN FOR CLARITY (SEE REC DWG)	02-10-201-10	.020-.080	.010	2.57	HOUSING	POLYPROPYLENE	BLACK
L	12-3-91	JSS	ADDED MAT'L & TOL TO 02-14-201-14	02-10-202-10	.080-.140	.070	2.54	POLE PIECE(2)	1010 STEEL	ZINC PLATED, BRIGHT
M	12 APR 93	ALC	PRN: S-1-03	02-10-203-10	.140-.200	.130	2.49	MAGNET	BARIUM FERRITE	NATURAL
N	13 AUG 96	SWD	PRN: 02-96							
O	14 JUL 97	SWD	PRN: 02-101					KEEPER	SEE BELOW	ZINC PLATED, BRIGHT
P	29 OCT 97	SWD	PRN: 02-101A							



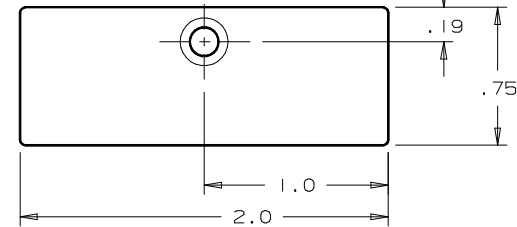
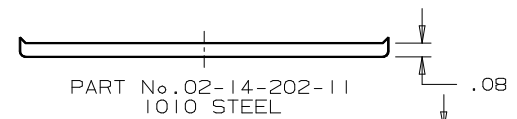
PANEL PREPARATION

NON-MAGNETIC DOOR
(ORDER KEEPER SEPARATELY)

MAGNETIC DOOR



ADHESIVE BACKED KEEPER



SCREW MOUNTED KEEPER

KEEPER TOLERANCES ARE ±.02

REMOVE PROTECTIVE PAPER; POSITION KEEPER ON THE FACE OF INSTALLED CATCH, CLOSE DOOR AGAINST ADHESIVE SURFACE OF THE KEEPER.

INSTALL WITH A No.5 FLAT HEAD SCREW.

DRAWING NUMBER
J-02-10-20-10

PROPRIETARY ITEM - EXCEPT FOR USES EXPRESSLY GRANTED IN WRITING INFORMATION DISCLOSED HEREON IS CONFIDENTIAL AND ALL RIGHTS PATENT AND OTHERWISE ARE RESERVED BY SOUTHCO, INC.