



AC-20 Multi Point Actuator

Pull-to-open Paddle

- Single or multi-point actuation capability
- Compatible with a wide range of rotary latches
- Environmentally sealed

Material and Finish

Housing: Glass-filled nylon, black

Paddle: Zinc alloy, black powder coated or chrome plated

Installation Notes

Maximum tightening torque on supplied mounting nuts 3 N·m (27 in·lbf)

Notes

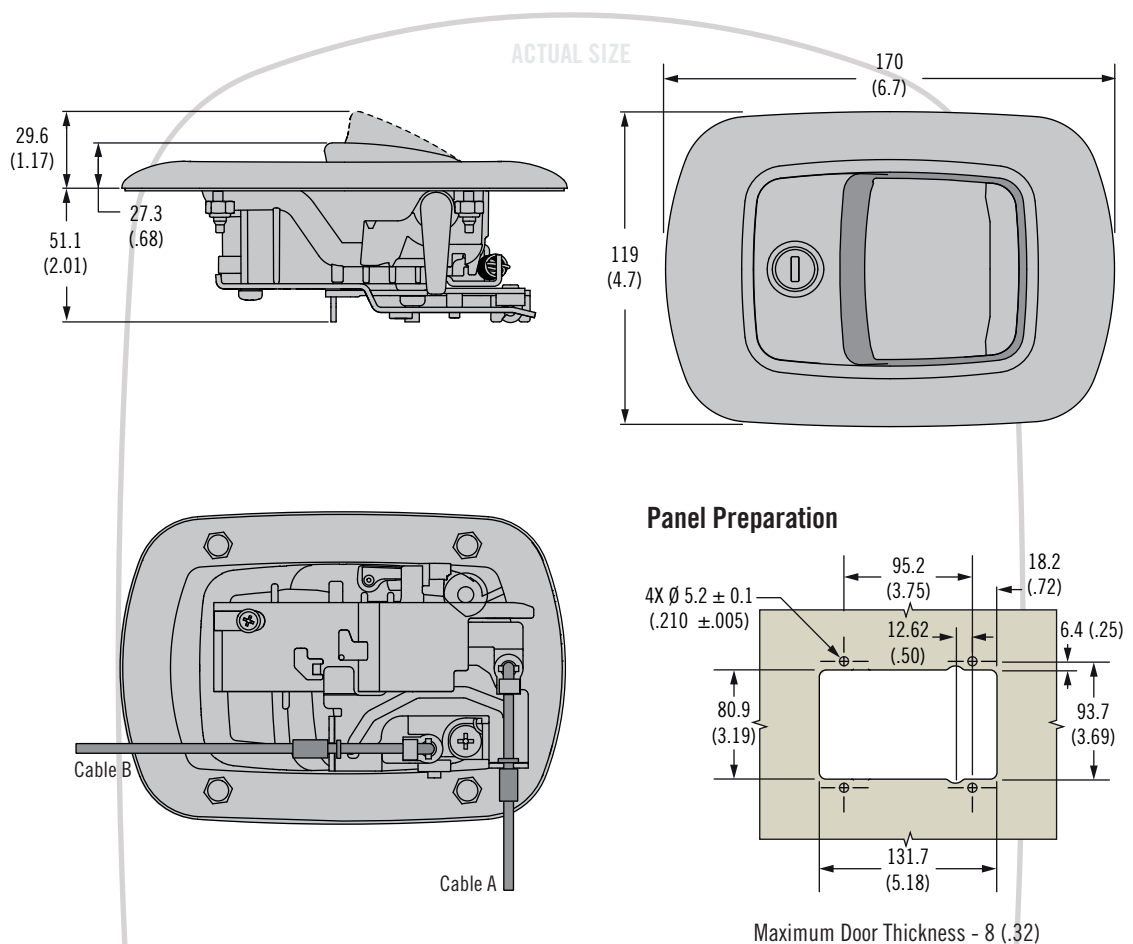
For lock core selection and a complete overview of the *SOUTHCO*® Key-Choice System see page 190

Can be configured with 1 or 2 cables.

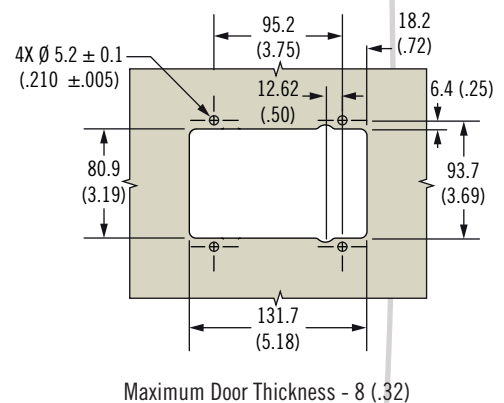
See Cable Selection Tool on Southco.com

Part Number

See table



Panel Preparation



- PP Paddle Finish**
 30 Chrome, polished
 50 Black powder coated

AC - 20 - 3 **L** 1 - **PP** - **KC**

L Locking Options

- 1 Reversible Key (No Keys - R001)
- 2 Reversible Key (2 Keys included - R001)
- 3 Reversible Key (Keyed differently - 2 keys included)
- 4 Standard Key (No keys - CH751)
- 5 Standard Key (2 Keys included - CH751)
- 6 Standard Key (Keyed differently - 2 keys included)
- 9 No Lock Plug installed (See notes for more information)

KC Key Codes

(Omit for Locking Options 1, 2, 4, 5 and 9)

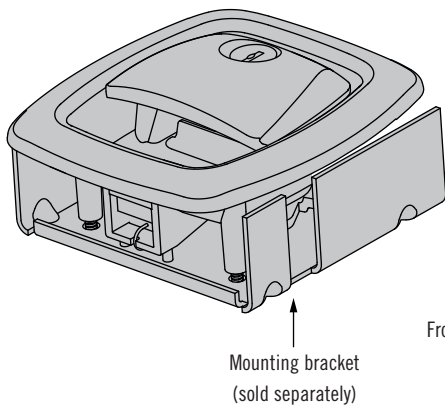
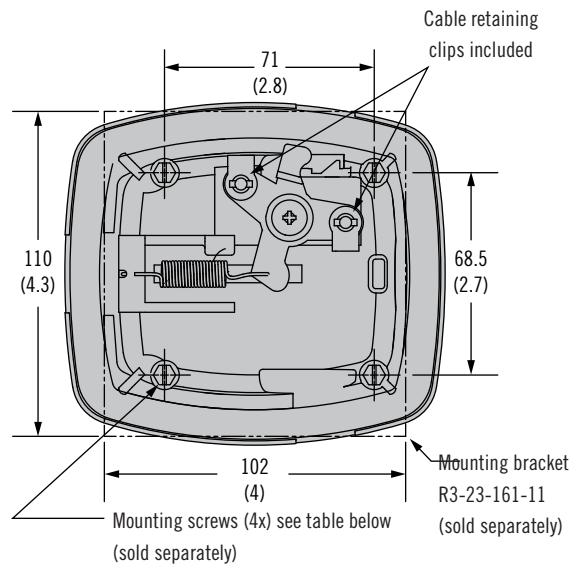
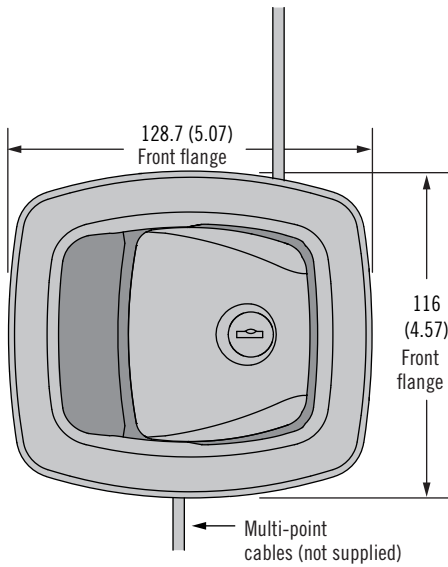
***KD10** Keyed Differently (Only used if **L** = 3 or 6)

***MK10** Master Keyed Differently (Only used if **L** = 6)

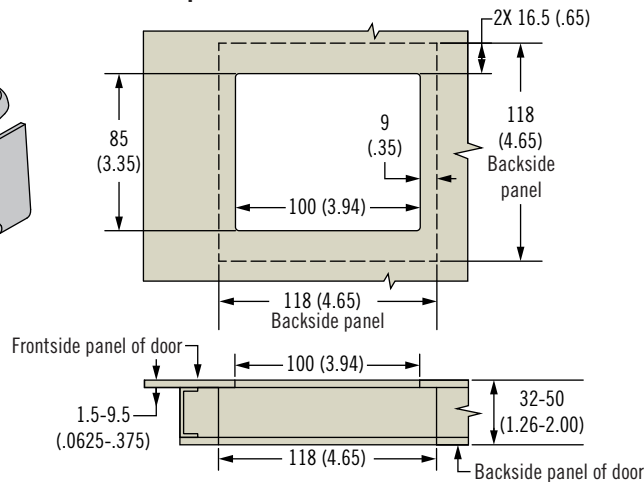
*Supplied in multiples of 10 with 10 different key codes.

R3-22 Multi Point Actuator

Pull-to-open Paddle



Panel Preparation



- Single or multi-point actuation capability
- Compatible with a wide range of rotary latches
- Environmentally sealed

Material and Finish

Latch assembly: Zinc alloy, black or white powder coated or chrome plated.
 Mounting bracket: Steel, zinc plated

Installation Notes

Maximum tightening torque on mounting screws:
 2.8 N·m (25 in-lbf)

Notes

For lock core selection and a complete overview of the *SOUTHCO*® Key-Choice System see page 190

Can be configured with 1 or 2 cables.
 See Cable Selection Tool on Southco.com
 Cable mounting brackets sold separately. (See page 323)

Part Number

Order latch, bracket and mounting screws separately

For latch see table

For mounting bracket, order part number R3-23-161-11

See table for mounting screws

R3 - 22 - 3 L 0 - F 0

L Locking Options

- 0 Non-locking
- 1 Reversible Key (No keys - R001)
- 2 Reversible Key (2 keys included - R001)
- 4 Standard Key (No keys - CH751)
- 5 Standard Key (2 Keys included - CH751)
- 9 No lock plug installed (see notes for more information)

F Finish

- 1 Polished chrome
- 5 Black powder coated
- 7 White powder coated

Screws for Mounting Bracket Part Number R3-23-161-11

Front Door Thickness	No. 8 Self Tapping Screw (order 4 per latch)
1.5 (.062) - 4.8 (.187)	R3-23-250-01
4.8 (.187) - 9.5 (.375)	R3-23-250-02



AC-10 Actuator

Large handle · Flush mount

- Rear mount installation
- Flush mounting style
- Single, multi-point or direct pull actuation capability
- Multiple key code options
- Non-Locking option
- Electronic lock/unlock option

Material and Finish

Housing, handle, rotating linkage: glass-filled nylon, black

Threaded stud and cable bracket retainers: steel, zinc nickel

Housing and handle gaskets: adhesive backed foam, black

Installation Notes

Mounting nut (M6 x 1) not supplied. Installation torque of mounting nuts not to exceed 7 N·m (62 in·lbf)

Notes

For cable configuration, see Cable Selection Tool on Southco.com.

Electronic Actuator Operating Information

Voltage: 12 V ±1.2 V

Current: 2.5 A - 3 A

Pulse Duration: 225 ms ±25 ms

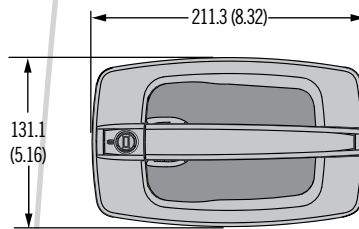
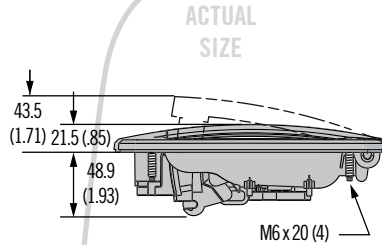
Part Number Selection

Notes:

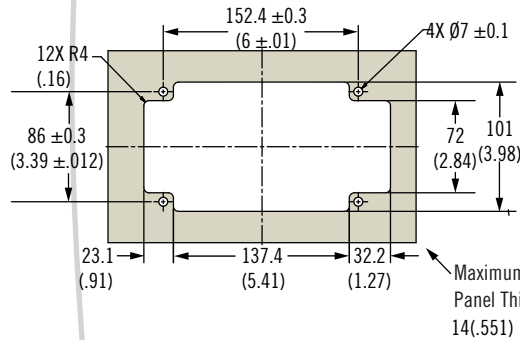
For use with Rods / Cables. Recommended Snap-in Retainer for Rotator Plate: Southco Part Number R4-0-43922.

For lock core selection, detailed key information and a complete overview of the *SOUTHCO*® Key-Choice System see PK Lock Cores section.

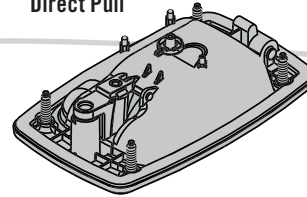
For unique key code options, please contact customer service.



Panel Preparation



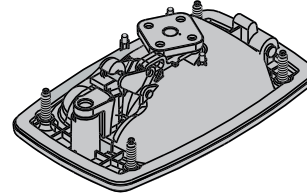
Direct Pull



- Recommended to use with Trigger Pull

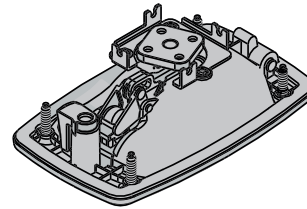
Part Number	
Trigger Pull	R4-0-51292

Multi-Point Without Cable Bracket



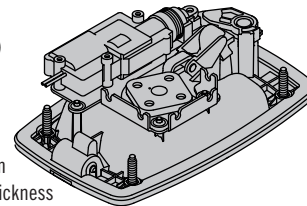
- Recommended to use with Rods

Multi-Point With Cable Bracket



- Recommended for use with Cables.

Multi-Point With Cable Bracket and Lock/Unlock Electronic Actuator



- Recommended for use with Cables.

- S Actuation Style**
- 1 Single Point, Direct Pull
 - 2 Multi-Point, without Cable Bracket
 - 3 Multi-Point, with Cable Bracket
 - EM-3 Multi-Point, with Cable Bracket and Electronic Lock/Unlock

- L Locking Options**
- 0 Non-Locking
 - 1 Reversible key (No keys - R001)
 - 2 Reversible key (2 keys included - R001)
 - 3 Reversible key (keyed differently - 2 keys included)
 - 4 Standard key (No keys - CH751)
 - 5 Standard key (2 keys included - CH751)
 - 6 Standard key (keyed differently - 2 keys included)
 - 7 Reversible Key (2 keys included - 14603)
 - 9 No Lock Plug installed (See notes for more information)

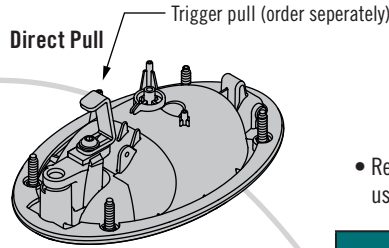
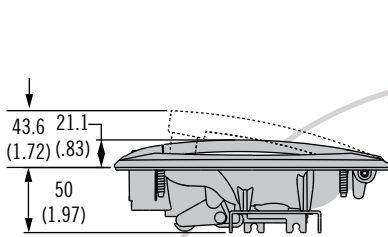
AC - 10 - **S** **L** 1 - 11 - **KC**

- KC Key Codes**
- (Omit for Locking Options 0, 1, 2, 4, 5 and 9)
 - *KD10 Keyed Differently (Only used if L =3 or 6)
 - *MK10 Master Keyed Differently (Only used if L =6)

*Supplied in multiples of 10 with 10 different key codes.
*Eliminate 10 for AC-10-EM version (Use KD and MK only)

AC-11 Actuator

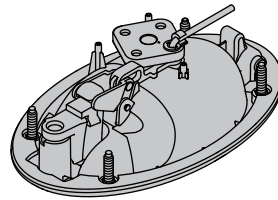
Large Handle · Flush Mount



- Recommended to use with Trigger Pull

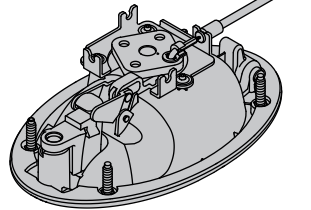
Part Number	
Trigger Pull	R4-0-51292

Multi-Point Without Cable Bracket



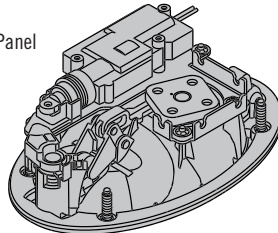
- Recommended to use with Rods

Multi-Point With Cable Bracket

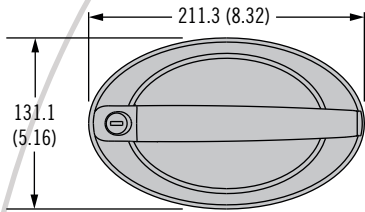


- Recommended for use with Cables

Multi-Point With Cable Bracket and Lock/Unlock Electronic Actuator

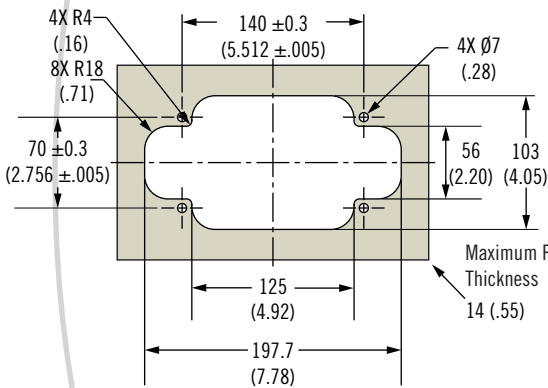


- Recommended for use with Cables to lock/unlock version



ACTUAL SIZE

Panel Preparation



S Actuation Style

- 1 Single Point, Direct Pull
- 2 Multi-Point, without Cable Bracket
- 3 Multi-Point, with Cable Bracket
- EM-3 Multi-Point with Cable Bracket and Electronic Lock/Unlock

AC - 11 - S L 1 - 11 - KC

L Locking Options

- 0 Non-Locking
- 1 Reversible key (No keys - R001)
- 2 Reversible key (2 keys included - R001)
- 3 Reversible key (keyed differently - 2 keys included)
- 4 Standard key (No keys - CH751)
- 5 Standard key (2 keys included - CH751)
- 6 Standard key (keyed differently - 2 keys included)
- 7 Reversible Key (2 keys included - 14603)
- 9 No Lock Plug installed (See notes for more information)

KC Key Codes

- (Omit for Locking Options 0, 1, 2, 4, 5 and 9)
- *KD10 Keyed Differently (Only used if L =3 or 6)
- *MK10 Master Keyed Differently (Only used if L =6)
- *Supplied in multiples of 10 with 10 different key codes.
- *Eliminate 10 for AC-11-EM version (Use KD and MK only).

- Rear mount installation
- Flush mounting style
- Single, multi-point or direct pull actuation
- Multiple key code options
- Non-locking option
- Electronic lock/unlock option

Material and Finish

Housing, handle, linkage: glass-filled nylon, black

Threaded stud and cable bracket retainers: steel, zinc nickel plated

Housing and handle gaskets:

Adhesive backed foam, black

Installation Notes

Mounting nut (M6 x 1) not supplied. Installation torque of mounting nuts not to exceed 7 N·m (62 in·lbf)

Notes

For cable configuration, see Cable Selection Tool on Southco.com.

Part Number Selection

Notes:

For use with Rods / Cables, recommended Snap-in Retainer for Rotator Plate: Southco Part Number R4-0-43922. See Trade Drawing J-R4-0-43922 for more details and options.

For lock core selection, detailed key information and a complete overview of the SOUTHCO® Key-Choice System see PK Lock Cores section.

For unique key code options, please contact customer service.



AC-15 Actuator

Large Handle · Surface Mount

- Rear mount installation
- Surface mounting style
- Direct pull actuation
- Multiple key code options
- Non-locking option

Material and Finish

Housing, handle, linkage:
glass-filled reinforced nylon, black

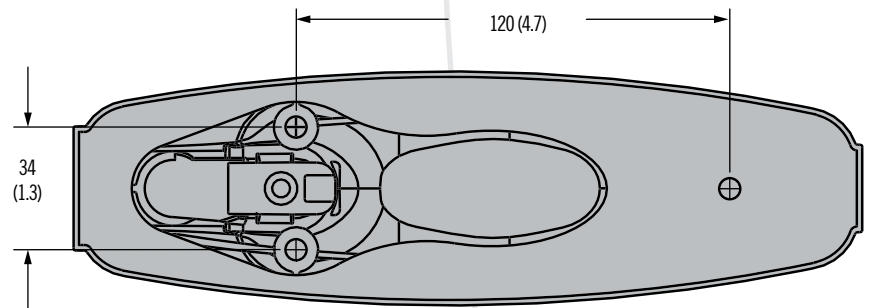
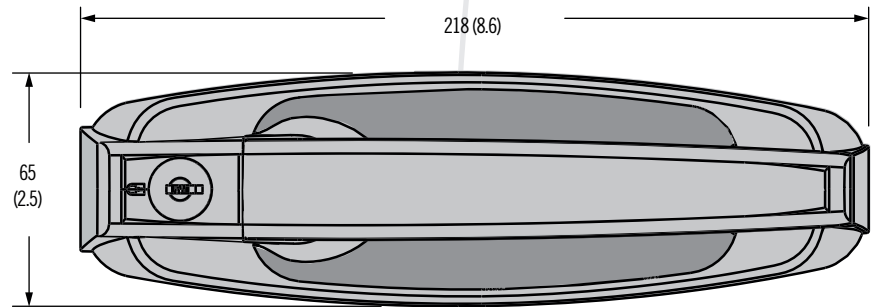
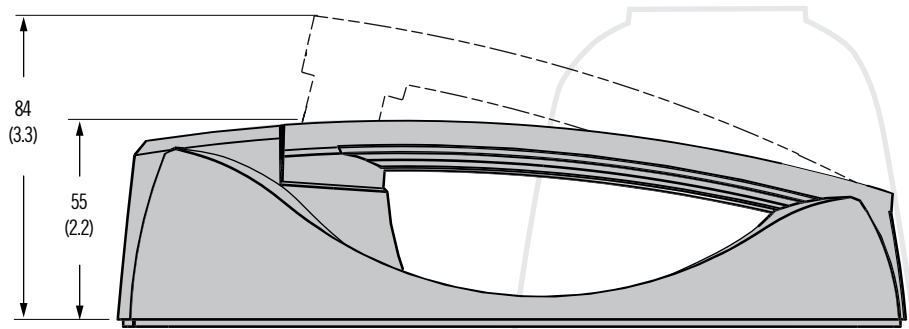
Threaded inserts: brass, natural

Housing and handle gaskets:
adhesive backed foam, black

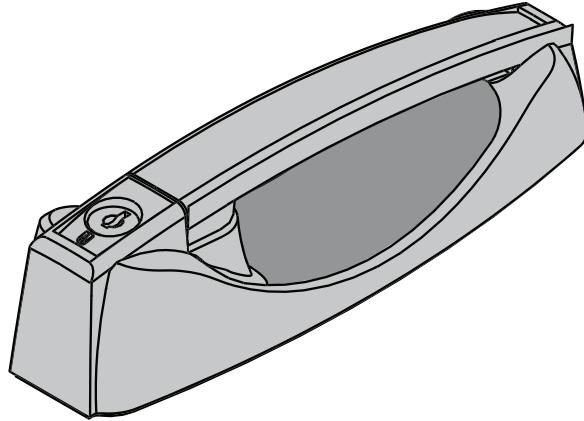
Installation Notes

Mounting hardware (M6 x 1) not
supplied. Recommended screw
length=panel thickness + 10.0
(.39)

Installation torque of mounting nuts
not to exceed 7 N·m (62 in-lbf)

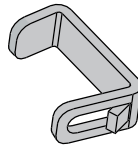


ACTUAL SIZE



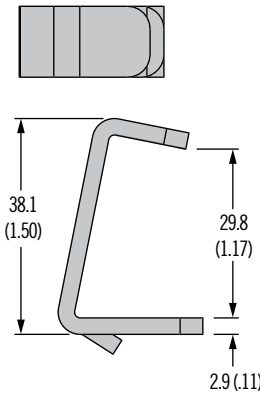
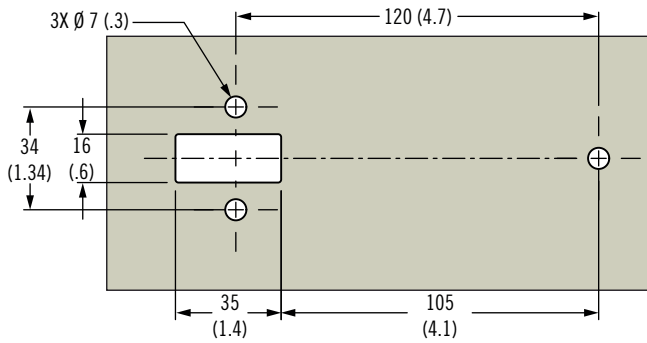
Trigger Pull

Actuator is recommended to use with Trigger Pull



Part Number	
Trigger Pull	R4-0-51292

Panel Preparation



AC - 15 - 1 L 1 - 11 - KC

L Locking Options

- 0 Non-Locking
- 1 Reversible key (No keys - R001)
- 2 Reversible key (2 keys included - R001)
- 3 Reversible key (keyed differently - 2 keys included)
- 4 Standard key (No keys - CH751)
- 5 Standard key (2 keys included - CH751)
- 6 Standard key (keyed differently - 2 keys included)
- 9 No Lock Plug installed (See notes for more information)

KC Key Codes

(Omit for Locking Options 0, 1, 2, 4, 5 and 9)
 *KD10 Keyed Differently (Only used if L=3 or 6)
 *MK10 Master Keyed Differently (Only used if L=6)
 *Supplied in multiples of 10 with 10 different key codes
 Eliminate 10 for AC-10-EM version

Part Number Selection

Notes:

For cable configuration, see Cable Selection Tool on Southco.com

For lock core selection, detailed key information and a complete overview of the SOUTHCO® Key-Choice System see PK Lock Cores section.

For unique key code options, please contact Southco.





AC-30 Multi Point Actuator

Push-Button

- Single or multi-point actuation capability
- Accommodates wide panel thickness
- Multiple key code options
- Single hole install

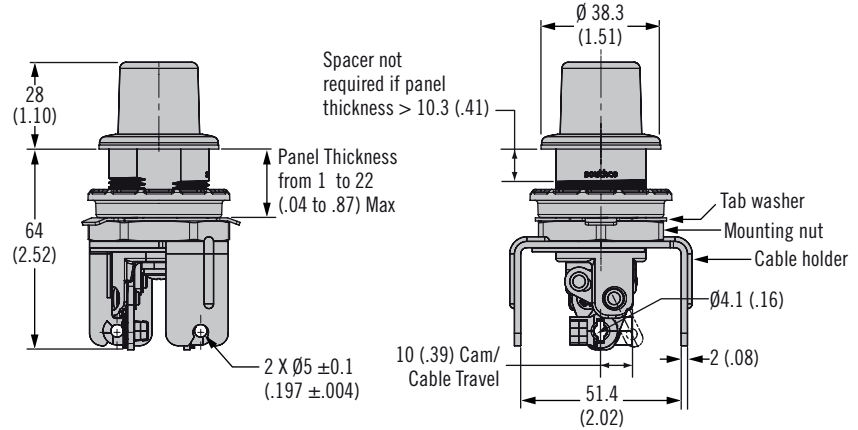
Material and Finish

Button: Nylon
 Housing: Zinc or Stainless steel
 Lock Plug: Zinc
 Cam, Washer, Rivet:
 Stainless steel, passivated

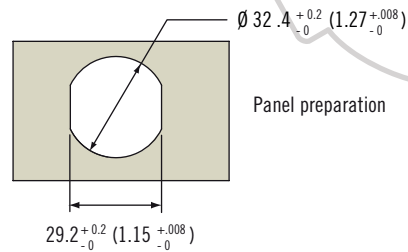
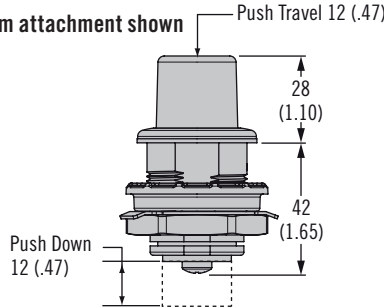
Notes

For cable configuration, see Cable Selection Tool on Southco.com

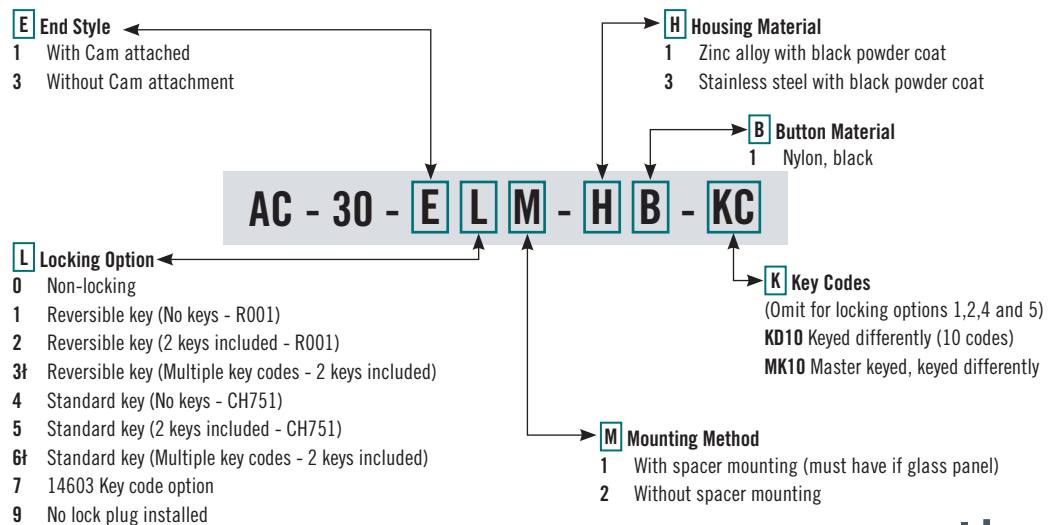
With cam attachment shown



Without cam attachment shown



Part Number Selection

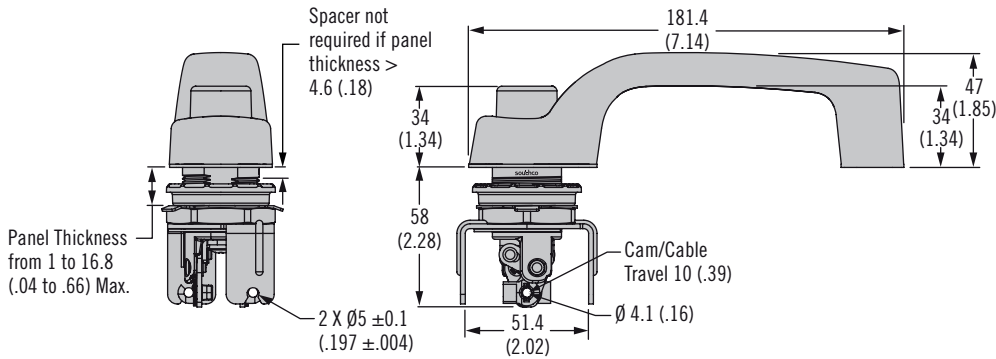


† Require KC key codes extension

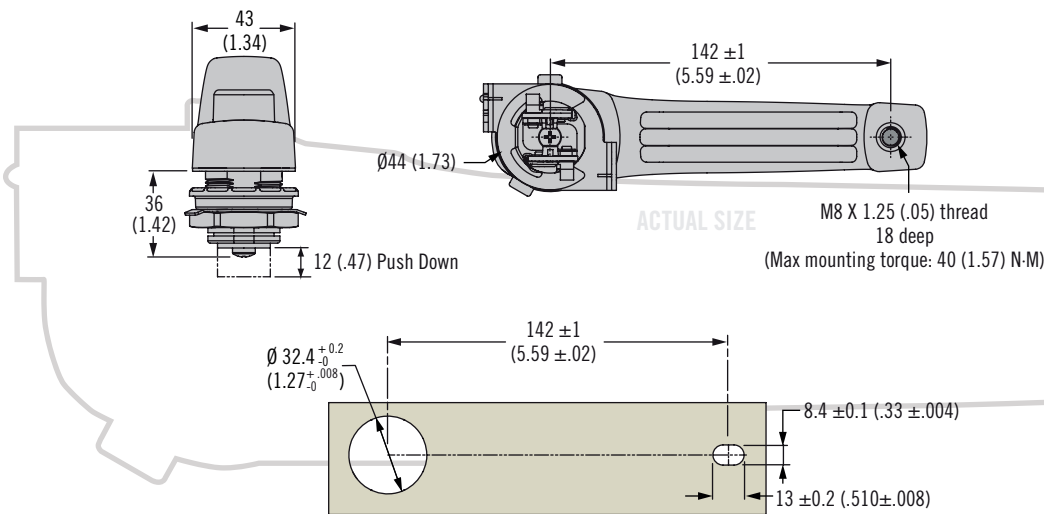
AC-40 Multi Point Actuator Push-Button Handle



With cam attachment shown



Without cam attachment shown



- Single or multi-point actuation capability
- Accommodates wide panel thickness
- Multiple key code options
- Easy Grip

Material and Finish

Button: Nylon
 Housing: Zinc Alloy or Stainless steel
 Lock plug: Zinc Alloy
 Cam, Washer, Rivet: Stainless steel, passivated

Notes

For cable configuration, see Cable Selection Tool on Southco.com

Part Number Selection

E End Style

- 1 With Cam attached
- 3 Without Cam attachment (Mounting method 1 or 2 only)

H Handle Material

- 1 Black GF nylon with zinc housing insert
- 2 Black GF nylon with stainless steel housing insert

B Button Material

- 1 Nylon, black

L Locking Option

- 0 Non-locking
- 1 Reversible key (No keys - R001)
- 2 Reversible key (2 keys included - R001)
- 3† Reversible key (Multiple key codes - 2 keys included)
- 4 Standard key (No keys - CH751)
- 5 Standard key (2 keys included - CH751)
- 6† Standard key (Multiple key codes - 2 keys included)
- 7 14603 Key code option
- 9 No lock plug installed

M Mounting Method

- 1 Cable parallel (or no cable), with spacer mounting (must have if glass panel)
- 2 Cable parallel (or no cable), without spacer mounting
- 3* Cable cross with spacer mounting (must have if glass panel)
- 4* Cable cross without spacer mounting

K Key Codes
 (Omit for locking options 1,2,4 and 5)
KD10 Keyed differently (10 codes)
MK10 Master keyed, keyed differently

† Require KC key codes extension

AC - 40 - E L M - H B - KC



Dimensions in millimeters (inch) unless otherwise stated



AC Single Point Actuator T-handle

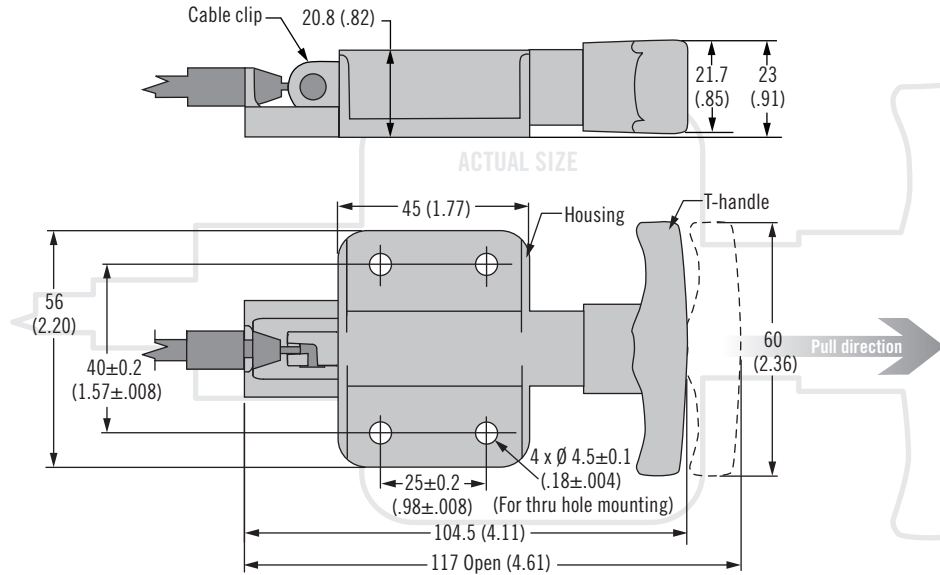
- Surface mount installation
- Generous grip area
- Pull to activate

Material and Finish

Housing: PC/ABS, black
 T-handle and slide: Glass-filled nylon, black
 Clip: Acetal, black
 Spring: Stainless steel, passivated

Notes

For cable configuration, see Cable Selection Tool on Southco.com



Part Number
AC-60-101-11

www.southco.com/AC



AC Single Point Actuator Plastic paddle and housing

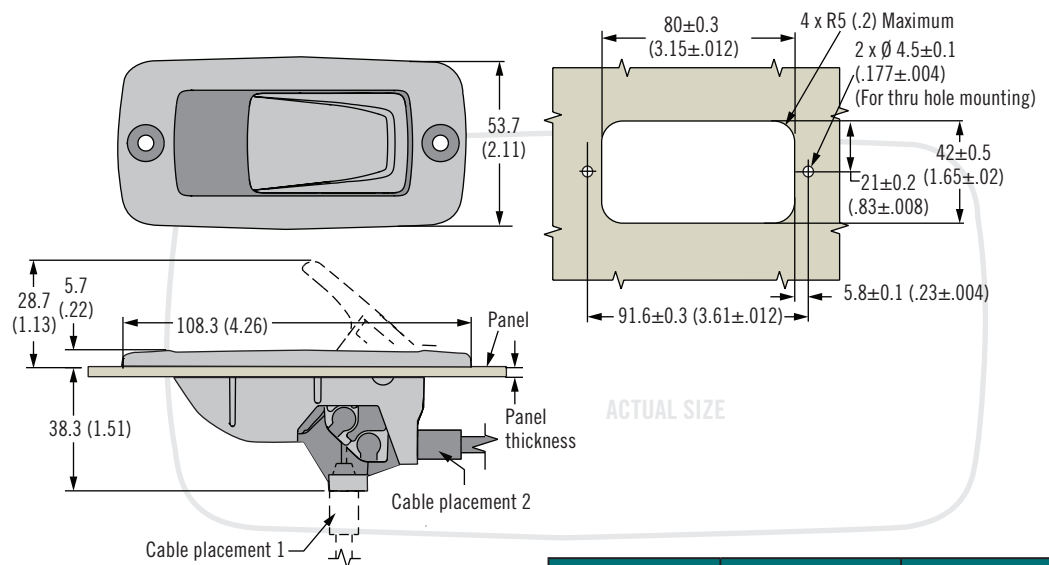
- Front mount installation
- Flush
- Two cable mounting options

Material and Finish

Paddle and housing: Glass-filled nylon, black
 Spring: Stainless steel, passivated

Notes

For cable configuration, see Cable Selection Tool on Southco.com



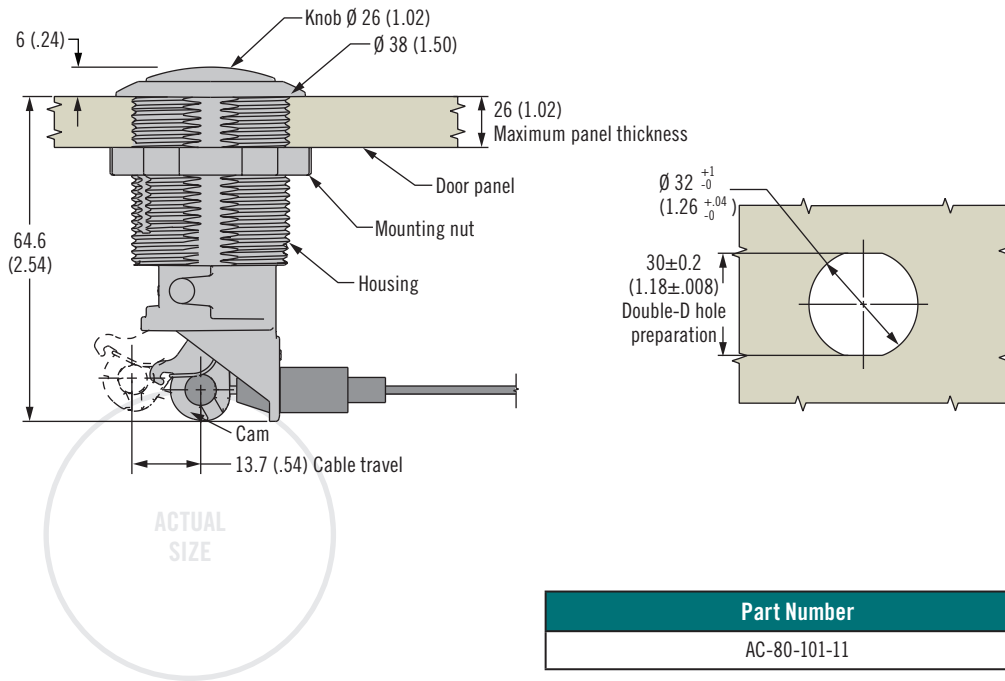
Part Number
AC-70-101-11

Cable Orientation	Panel Thickness	Cable Travel
Placement 1	12.5 (.49) maximum	11.1 (.44)
Placement 2	16 (.63) maximum	13.2 (.52)

www.southco.com/AC

Dimensions in millimeters (inch) unless otherwise stated

AC Single Point Actuator Push-button



- Flush
- Mounting hardware included

Material and Finish

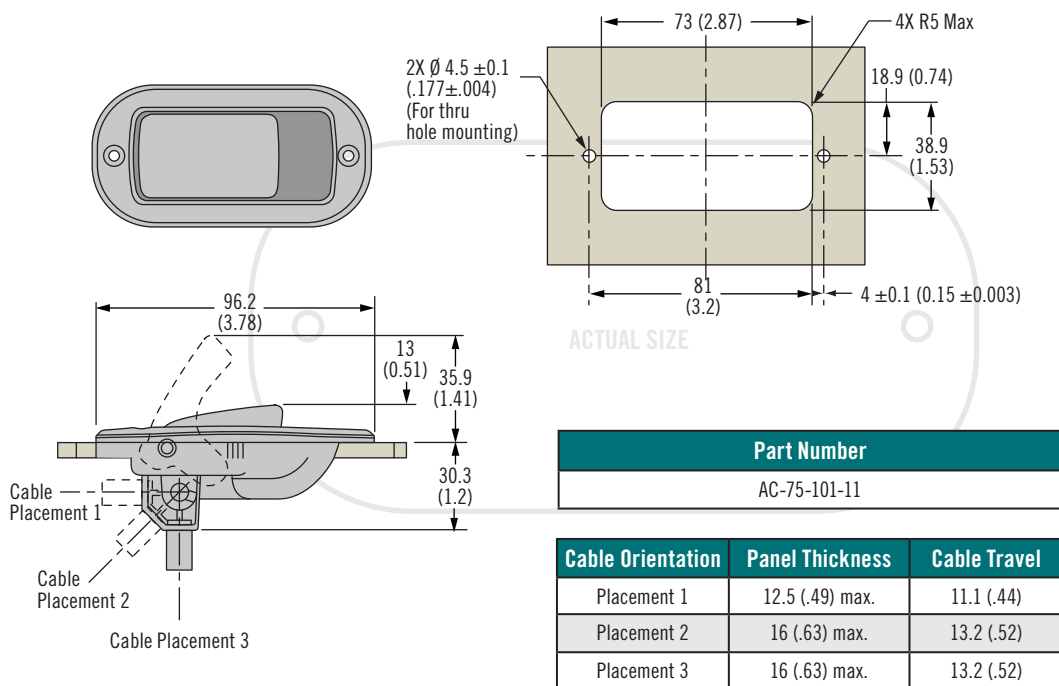
Push button and housing:
PC/ABS, black
Cam: Glass-filled nylon, black
Spring: Stainless steel, passivated

Notes

For cable configuration, see Cable Selection Tool on Southco.com

www.southco.com/AC

AC Single Point Actuator Aluminum paddle and housing



- Front mount installation
- Three cable mounting options
- Low profile
- Robust material

Material and Finish

Paddle and housing:
Aluminum, black powder coated

Notes

For cable configuration, see Cable Selection Tool on Southco.com

Part Number

See table



AC-50 Single Point Actuator

Squeeze handle

- Single actuation capability
- Accommodates tubular construction or rounded mounting surfaces

Material and Finish

Housing, handle: Glass-filled nylon, black

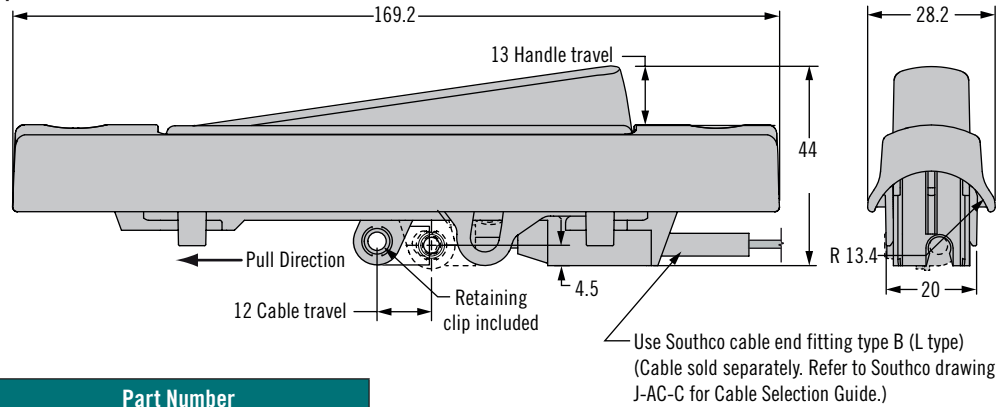
Installation Notes

Installation torque of screws not to exceed 2 N·m maximum (Countersunk screws or rivets recommended)

Notes

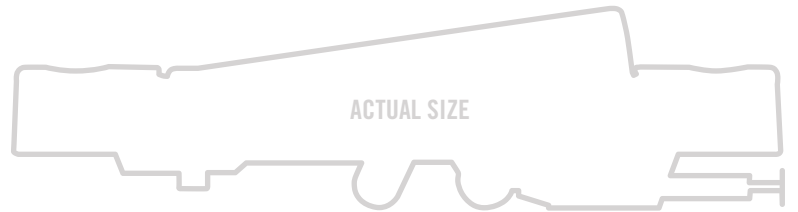
For cable configuration, see Cable Selection Tool on Southco.com

Squeeze Handle

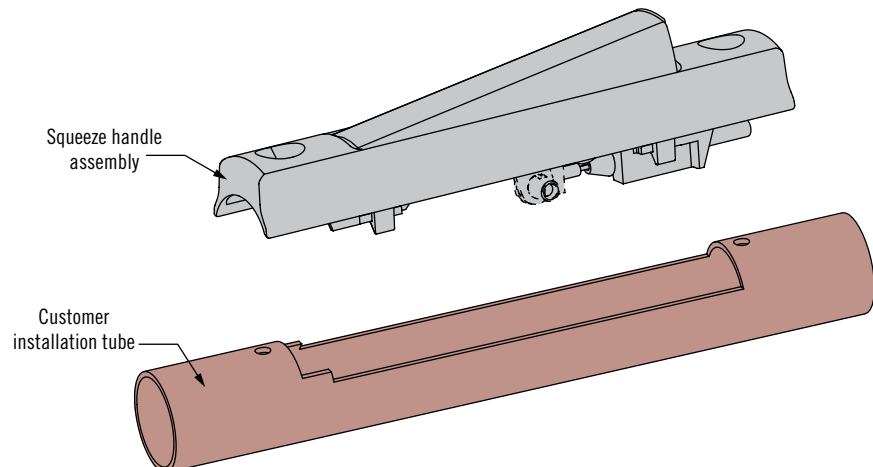
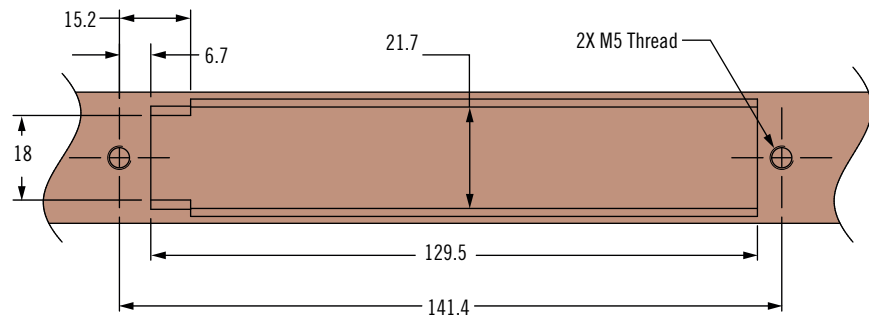


Part Number

AC-50-101-11



Panel Preparation

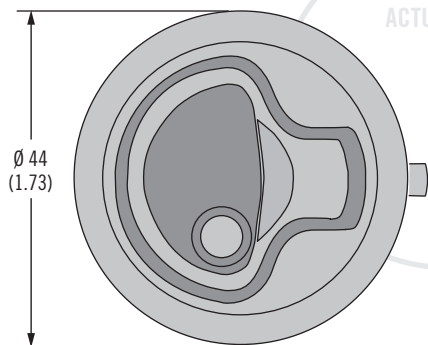


AC Single Point Actuators

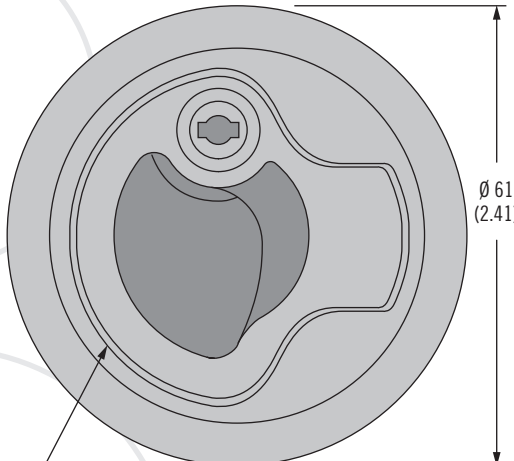
Stainless Steel · M1 Style Actuator



38mm (1.5")
Shown actual size

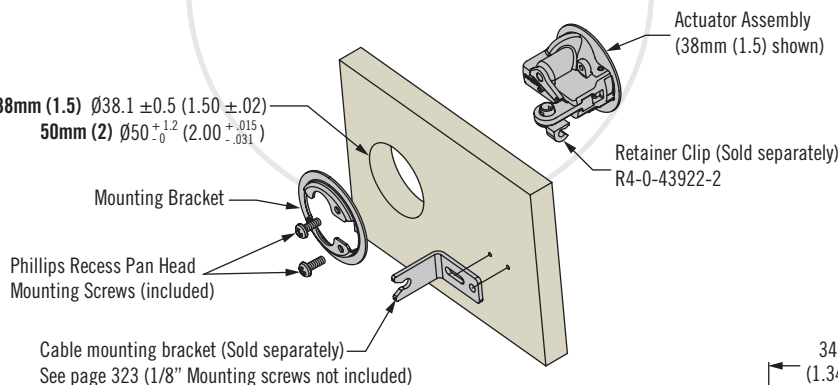


50mm (2")
Shown actual size



Locking handle shown
(also available as non-locking)

38mm (1.5) $\varnothing 38.1 \pm 0.5$ (1.50 \pm .02)
50mm (2) $\varnothing 50 \pm 0.12$ (2.00 \pm .015)



Mounting Bracket

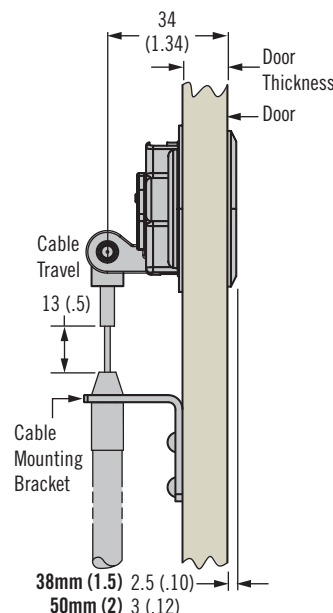
Phillips Recess Pan Head
Mounting Screws (included)

Cable mounting bracket (Sold separately)
See page 323 (1/8" Mounting screws not included)

Retainer Clip (Sold separately)
R4-0-43922-2

Actuator Assembly
(38mm (1.5) shown)

Size	Actuator Assembly	Part Number	Door Thickness	Cable Mounting Bracket
38mm (1.5)	Locking (2 keys supplied)	AC-M1-15-41-8	9 mm	R4-0-50253-1
			12 mm	R4-0-50253-2
	Non-Locking	AC-M1-15-61-8	9 mm	R4-0-50253-1
			12 mm	R4-0-50253-2
50mm (2)	Locking (2 keys supplied)	AC-M1-42-8	9 mm	R4-0-50253-1
			AC-M1-43-8	12 mm
	Non-Locking	AC-M1-62-8		9 mm
			AC-M1-63-8	12 mm
	Key-Locking keyed alike S008	AC-M1-72-8		9 mm
			AC-M1-73-8	12 mm



- Single, round-hole installation
- Locking style restricts access
- Premium finish and corrosion resistance

Material and Finish

Latch: 316 grade stainless steel, bright polished
Spacer: Nylon, black
Contact Southco for other finishes

Performance Details

Max. static load: 545 N (122 lbf)

Accessories - 38mm (1.5")

Spacer: M1-510-96-1
Mounting screws: M1-510-96-4
One key supplied per latch for additional keys order
M7-88-9121324-S



Accessories - 50mm (2")

For lock style 4
Key (pair)
Part number: M1-546

For lock style 7
Overmolded key S008 (pair)
Part number:
M1-525-39-S008



Cables

For cable configuration, see Cable Selection Tool on Southco.com



64 Push-to-Close Actuator

Pull-to-open · Paddle handle actuator · Multi-point · Large

- Flush mounting installation
- Multiple mounting styles
- Locking and Non-Locking options

Material and Finish

Stainless steel, polished, steel, zinc plated or black powder coated

Accessories

Flat key, keyed alike CH751
(2 keys per ring)
Part number: PK-10-01

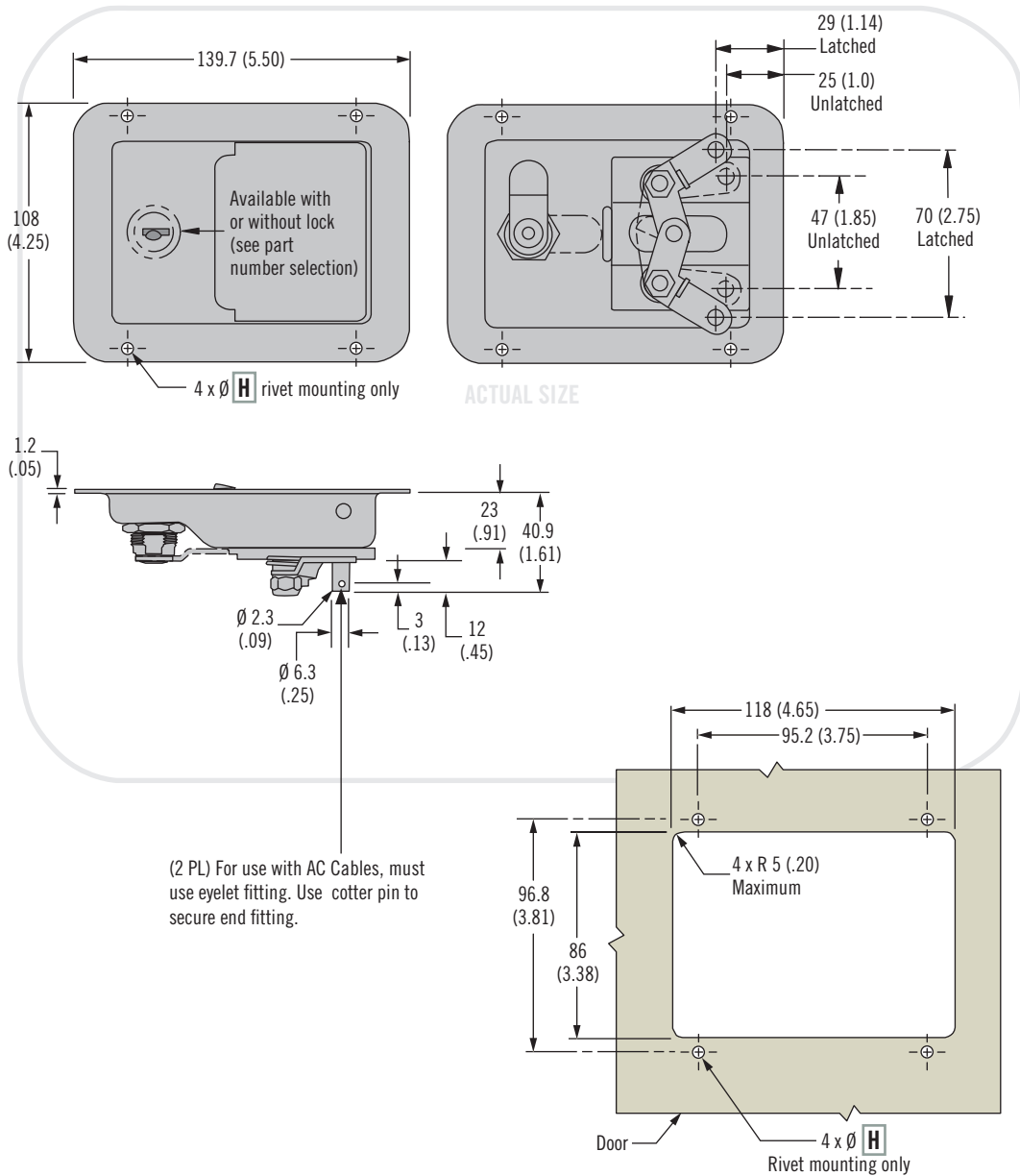


Overmolded key, keyed alike CH751
(2 keys per ring)
Part number: PK-10-01-05



Notes

For cable configuration, see Cable Selection Tool on Southco.com



(2 PL) For use with AC Cables, must use eyelet fitting. Use cotter pin to secure end fitting.

Part Number Selection

