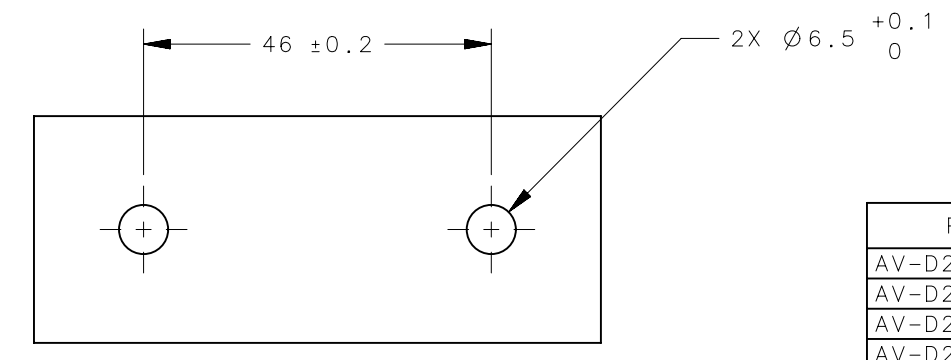
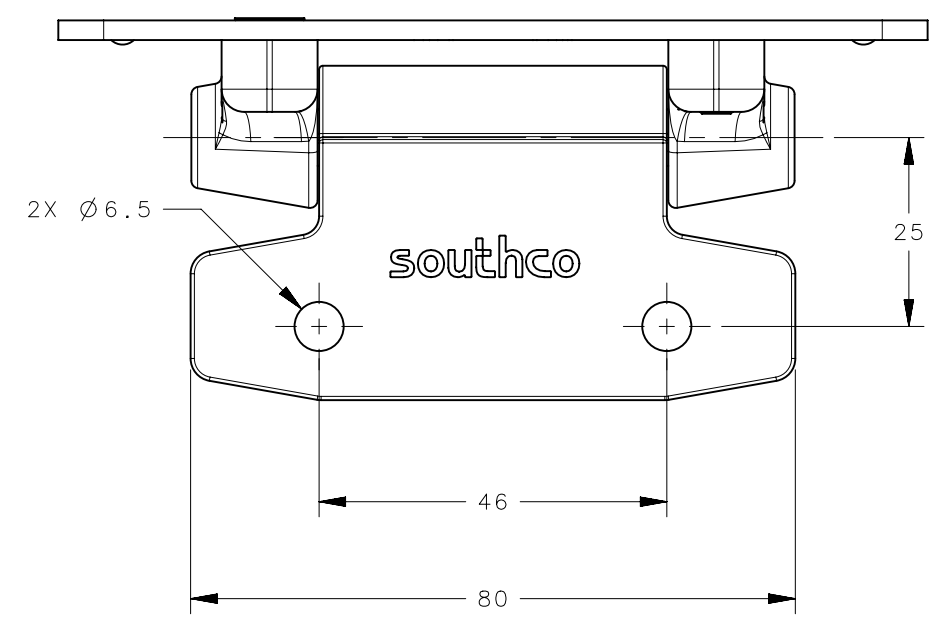
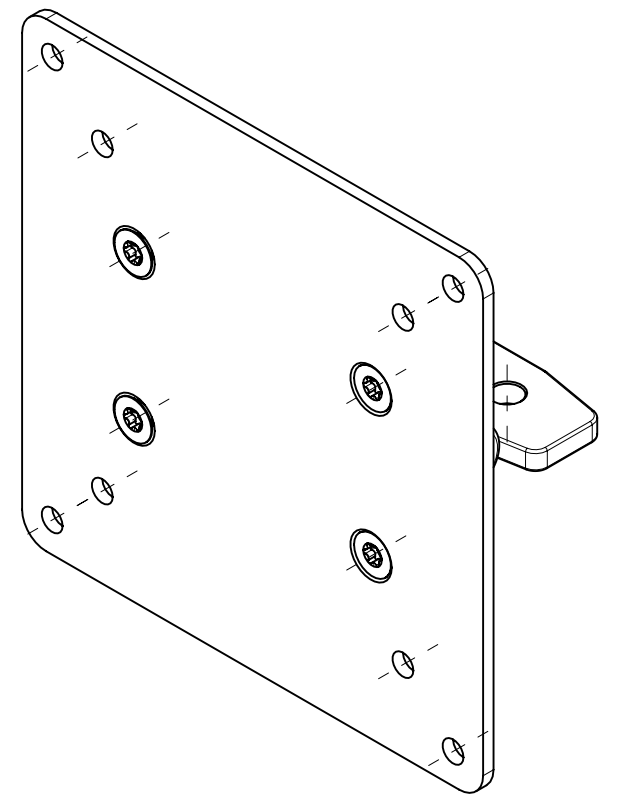
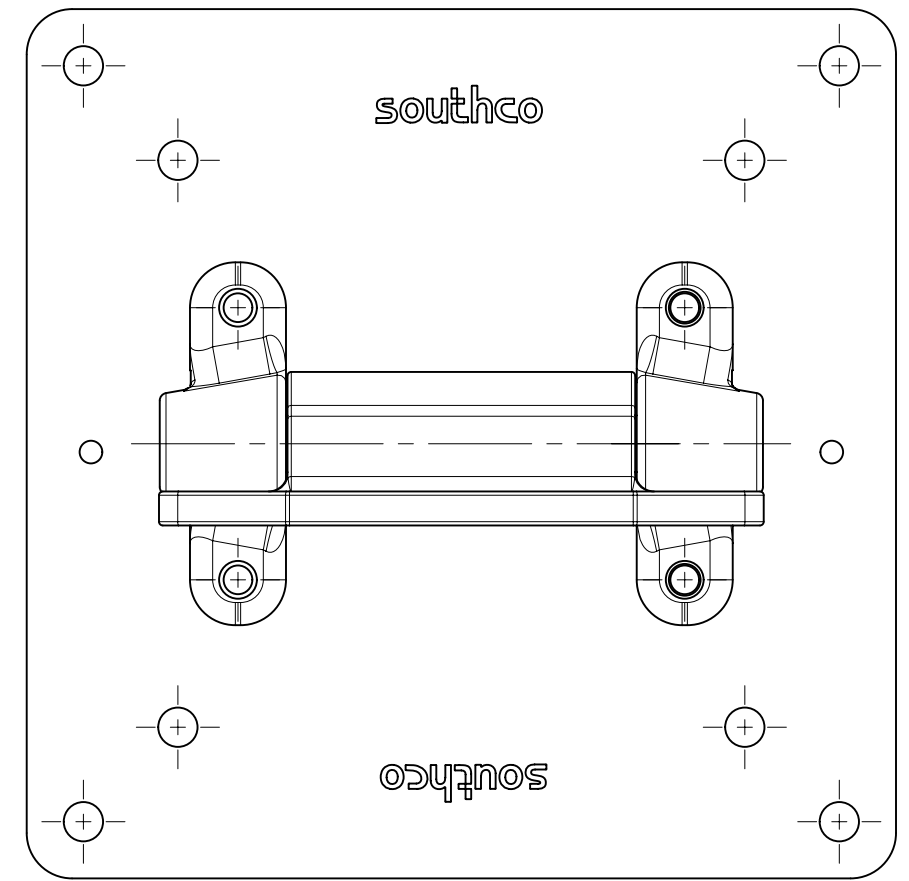
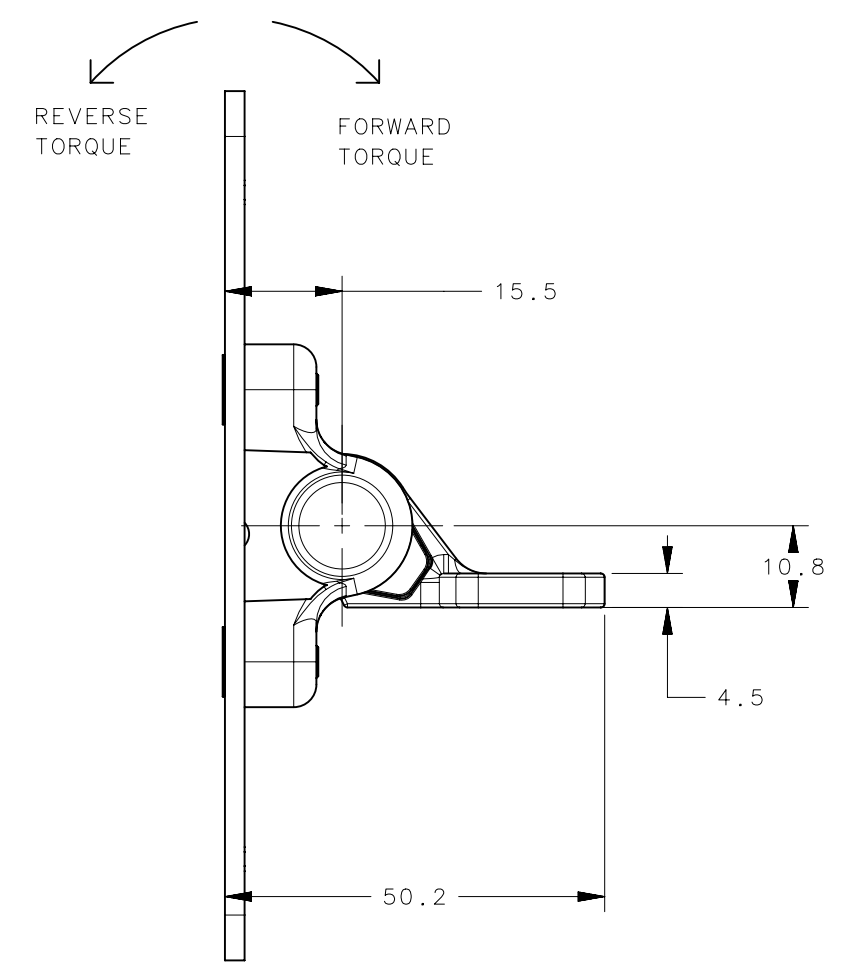
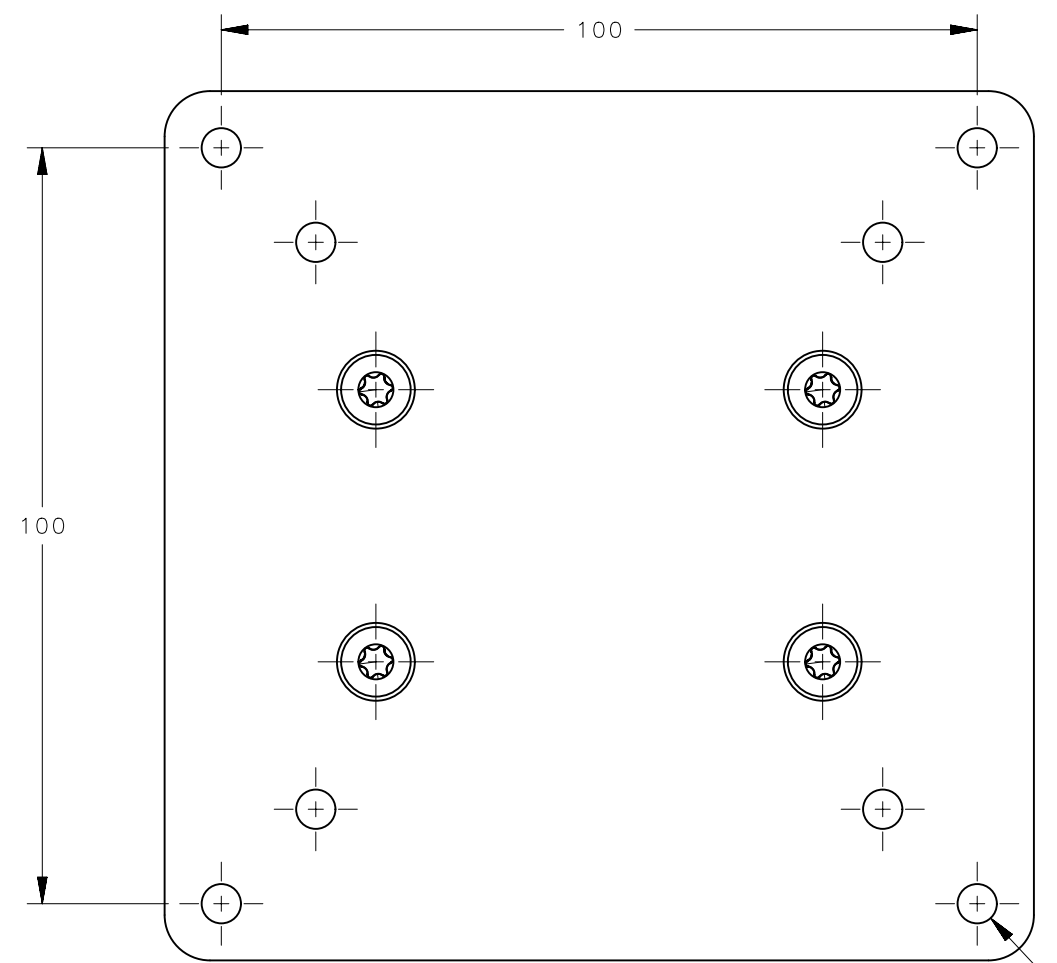


REVISION HISTORY			
REV	DATE	BY	DESCRIPTION
A	17OCT2013	JJT	PRN: INITIAL RELEASE



PART NUMBER	DESCRIPTION	FINISH
AV-D25-XXXXX-50	ASSEMBLY - COATED	BLACK POWDER
AV-D25-XXXXX-76	ASSEMBLY - COATED	WHITE

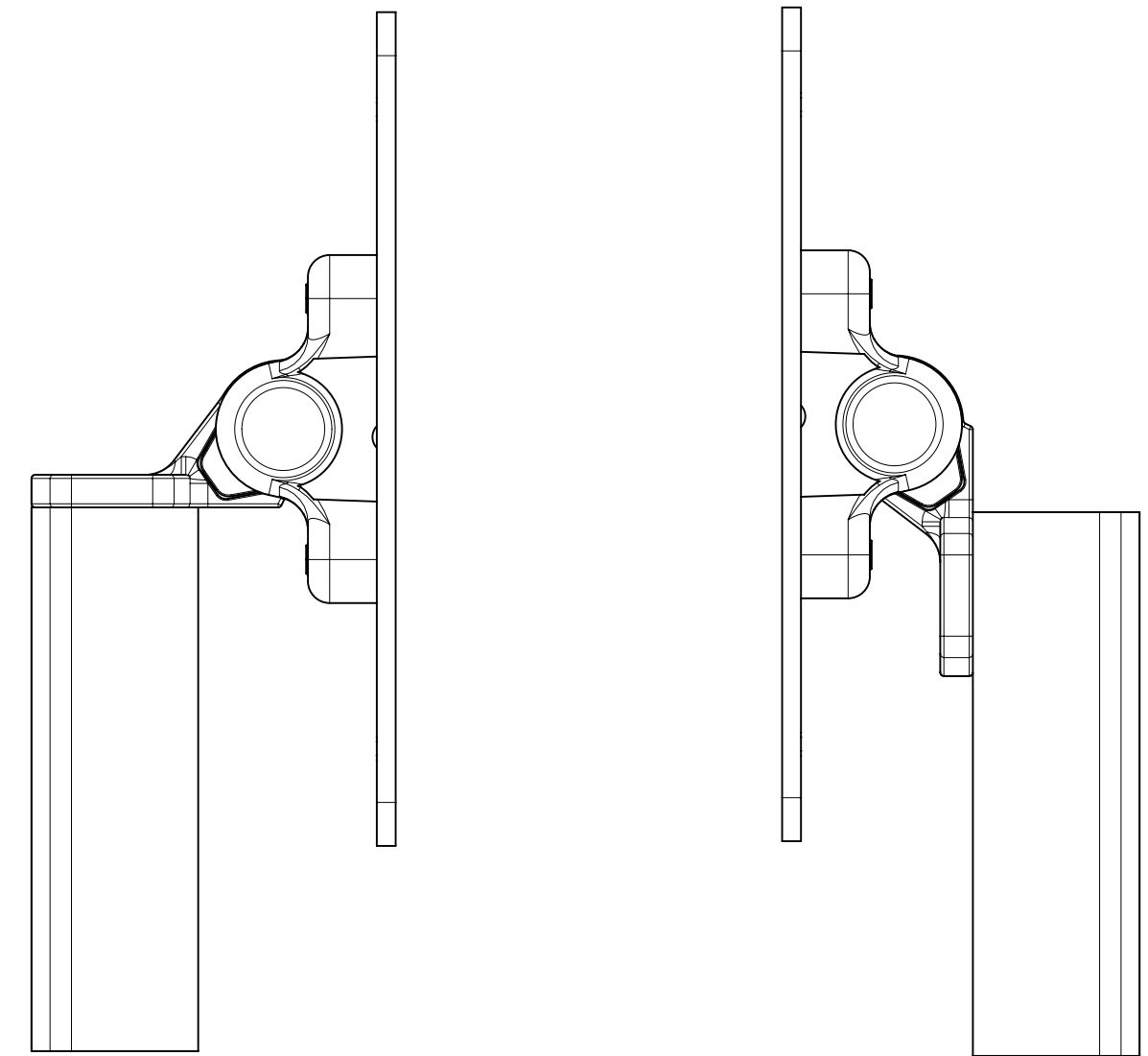
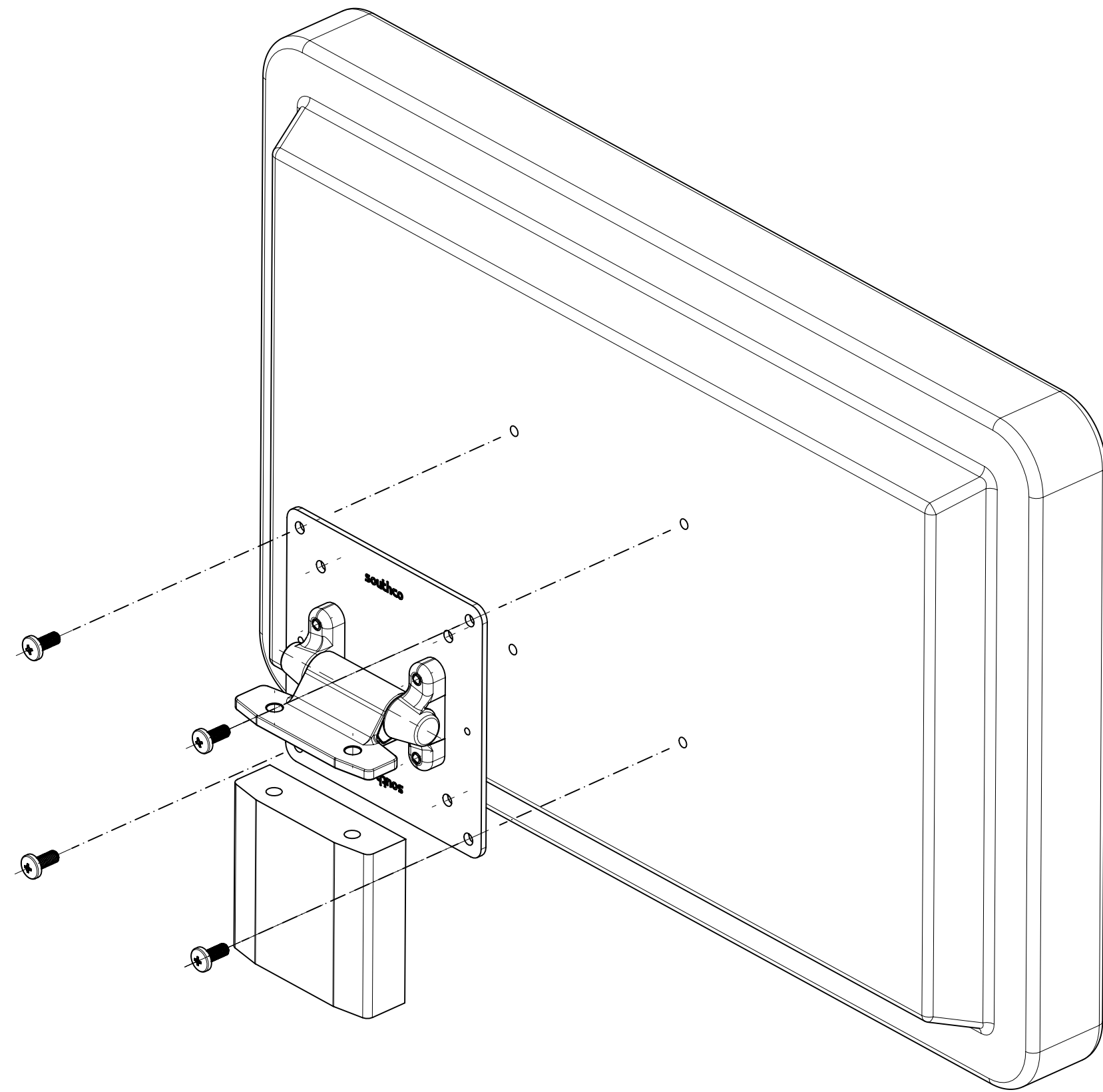
PART NUMBER	FORWARD TORQUE	REVERSE TORQUE
AV-D25-2T35F-XX	3.9 N-m (35.0 in-lbs)	3.0 N-m (26.7 in-lbs)
AV-D25-2T50F-XX	5.7 N-m (50.0 in-lbs)	4.0 N-m (35.7 in-lbs)
AV-D25-2T65F-XX	7.3 N-m (65.0 in-lbs)	5.4 N-m (47.5 in-lbs)
AV-D25-2T80F-XX	9.0 N-m (80.0 in-lbs)	6.7 N-m (59.4 in-lbs)
AV-D25-2T95F-XX	10.7 N-m (95.0 in-lbs)	7.8 N-m (68.9 in-lbs)
AV-D25-2T110F-XX	12.4 N-m (110.0 in-lbf)	9.0 N-m (79.8 in-lbf)
AV-D25-2T35R-XX	3.0 N-m (26.7 in-lbs)	3.9 N-m (35.0 in-lbs)
AV-D25-2T50R-XX	4.0 N-m (35.7 in-lbs)	5.7 N-m (50.0 in-lbs)
AV-D25-2T65R-XX	5.4 N-m (47.5 in-lbs)	7.3 N-m (65.0 in-lbs)
AV-D25-2T80R-XX	6.7 N-m (59.4 in-lbs)	9.0 N-m (80.0 in-lbs)
AV-D25-2T95R-XX	7.8 N-m (68.9 in-lbs)	10.7 N-m (95.0 in-lbs)
AV-D25-2T110R-XX	9.0 N-m (79.8 in-lbf)	12.4 N-m (110.0 in-lbf)

PANEL PREPARATION

- NOTES:
- PERFORMANCE TORQUE TOLERANCE ±20%
 - DESIGNED TO ACCEPT M6 SCREW OR EQUIVALENT
 - MATERIAL AND FINISH:
HINGE LEAVES AND HOUSING: DIE CAST ALUMINUM, SEE TABLE FOR FINISH
SHAFT & PIN: STEEL
O-RINGS: BUNA-N RUBBER
BEARINGS: BRASS

THIRD ANGLE PROJECTION		 CONNECT • CREATE • INNOVATE
MILLIMETERS [IN]		
SURFACE AREA XXXXXmm ²	TOLERANCES UNLESS OTHERWISE NOTED	DESCRIPTION Hinge & Controlled Motion Device ARM ASSEMBLY
VOLUME XXXXXmm ³	ALL DIMENSIONS WITHOUT TOLERANCES ARE FOR REFERENCE ONLY.	
PROPRIETARY ITEM	PER ASME Y14.5M-1994	SIZE C SYSTEM NX DWG NO. J-AV-D25-2T DRAWN BY JJT DATE 12MAR2012 SCALE 1:1 SHEET 1 OF 3

REVISION HISTORY			
REV	DATE	BY	DESCRIPTION
A	17OCT2013	JJT	PRN: INITIAL RELEASE



MOUNT OPTION 1

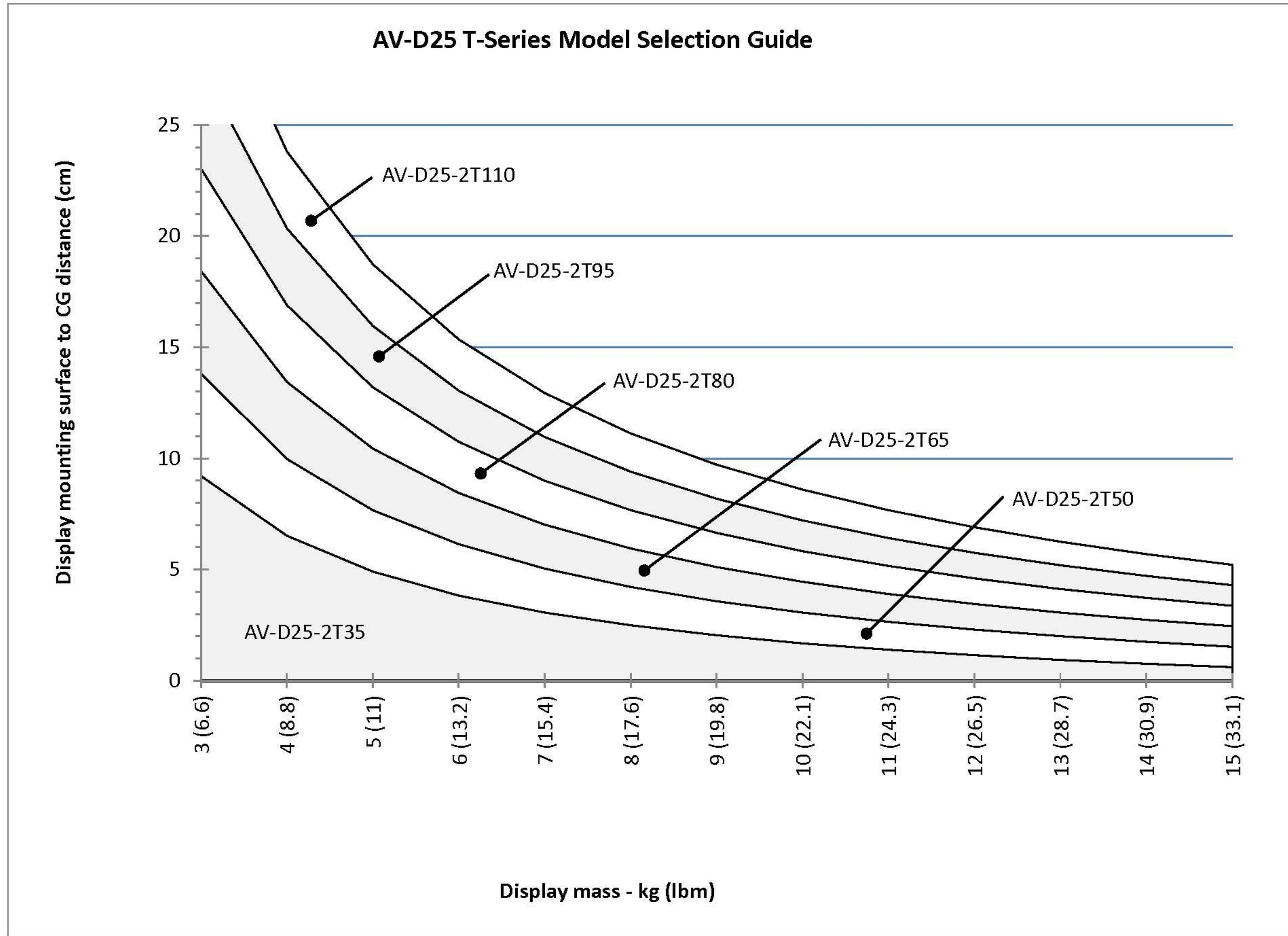
MOUNT OPTION 2

PANEL PREPARATION

1. SLIDE ON WALL MOUNTING HARDWARE COVERS AND ATTACHED MONITOR TO MOUNTING PLATE USING 4 EACH DISPLAY MANUFACTURERS RECOMMENDED HARDWARE (NOT PROVIDED), AS SHOWN.

THIRD ANGLE PROJECTION		southco CONNECT • CREATE • INNOVATE	
MILLIMETERS [IN]			
SURFACE AREA XXXXXmm ²		DESCRIPTION Hinge & Controlled Motion Device ARM ASSEMBLY	
VOLUME XXXXXmm ³		SIZE SYSTEM C NX	
PROPRIETARY ITEM <small>EXCEPT FOR USES EXPRESSLY GRANTED IN WRITING, INFORMATION DISCLOSED HEREON IS CONFIDENTIAL AND ALL RIGHTS, PATENT AND OTHERWISE, ARE RESERVED BY SOUTHCO, INC.</small>		DWG NO. J-AV-D25-2T	
PER ASME Y14.5M-1994		DRAWN BY JJT	DATE 12MAR2012
		SCALE 1:1	SHEET 2 OF 3

REVISION HISTORY			
REV	DATE	BY	DESCRIPTION
A	17OCT2013	JJT	PRN: INITIAL RELEASE



THIRD ANGLE PROJECTION		southco CONNECT • CREATE • INNOVATE	
MILLIMETERS [IN]		DESCRIPTION Hinge & Controlled Motion Device ARM ASSEMBLY	
SURFACE AREA XXXXXmm ²		TOLERANCES UNLESS OTHERWISE NOTED	
VOLUME XXXXXmm ³		ALL DIMENSIONS WITHOUT TOLERANCES ARE FOR REFERENCE ONLY.	
PROPRIETARY ITEM		SIZE C NX	DWG. NO. J-AV-D25-2T
EXCEPT FOR USES EXPRESSLY GRANTED IN WRITING, INFORMATION DISCLOSED HEREON IS CONFIDENTIAL AND ALL RIGHTS, PATENT AND OTHERWISE, ARE RESERVED BY SOUTHCO, INC.		DRAWN BY XXX/XXX	DATE DDMMYYYY
PER ASME Y14.5M-1994		SCALE 1:1	SHEET 3 OF 3