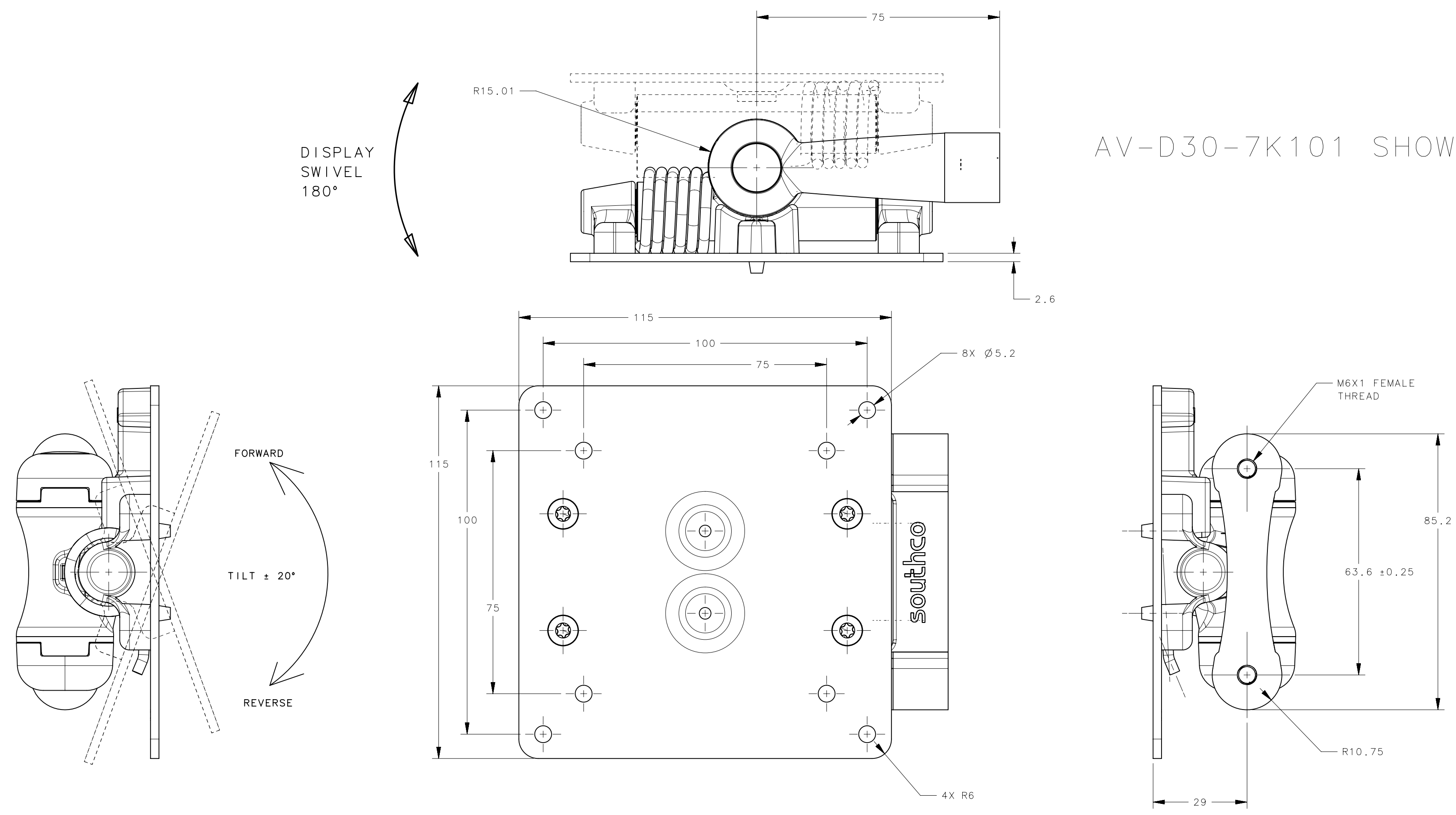
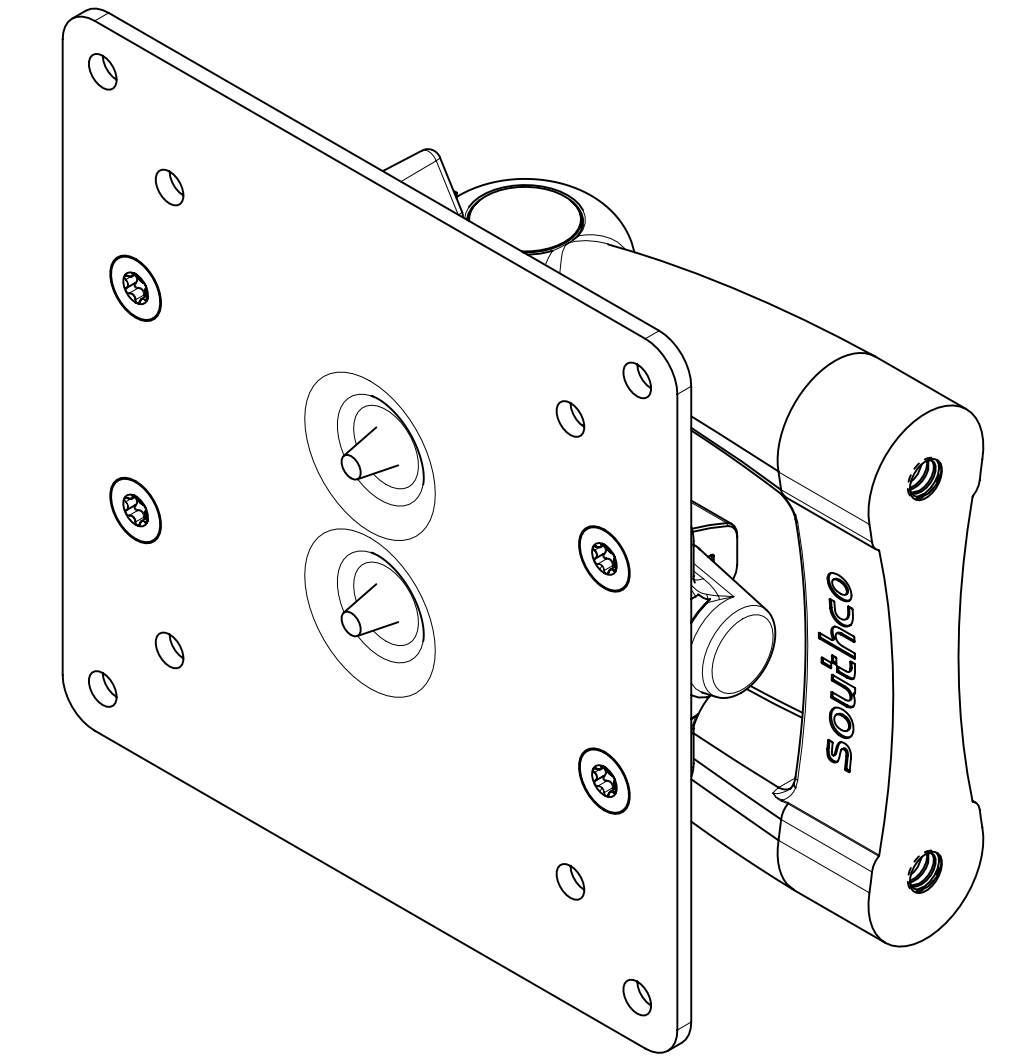


REVISION HISTORY			
REV	DATE	BY	DESCRIPTION
E	20DEC2012	CMS/DGJ	PRN: P2012-1810



AV-D30-7K101 SHOWN



ISOMETRIC VIEW (SHOWN ASSEMBLED)

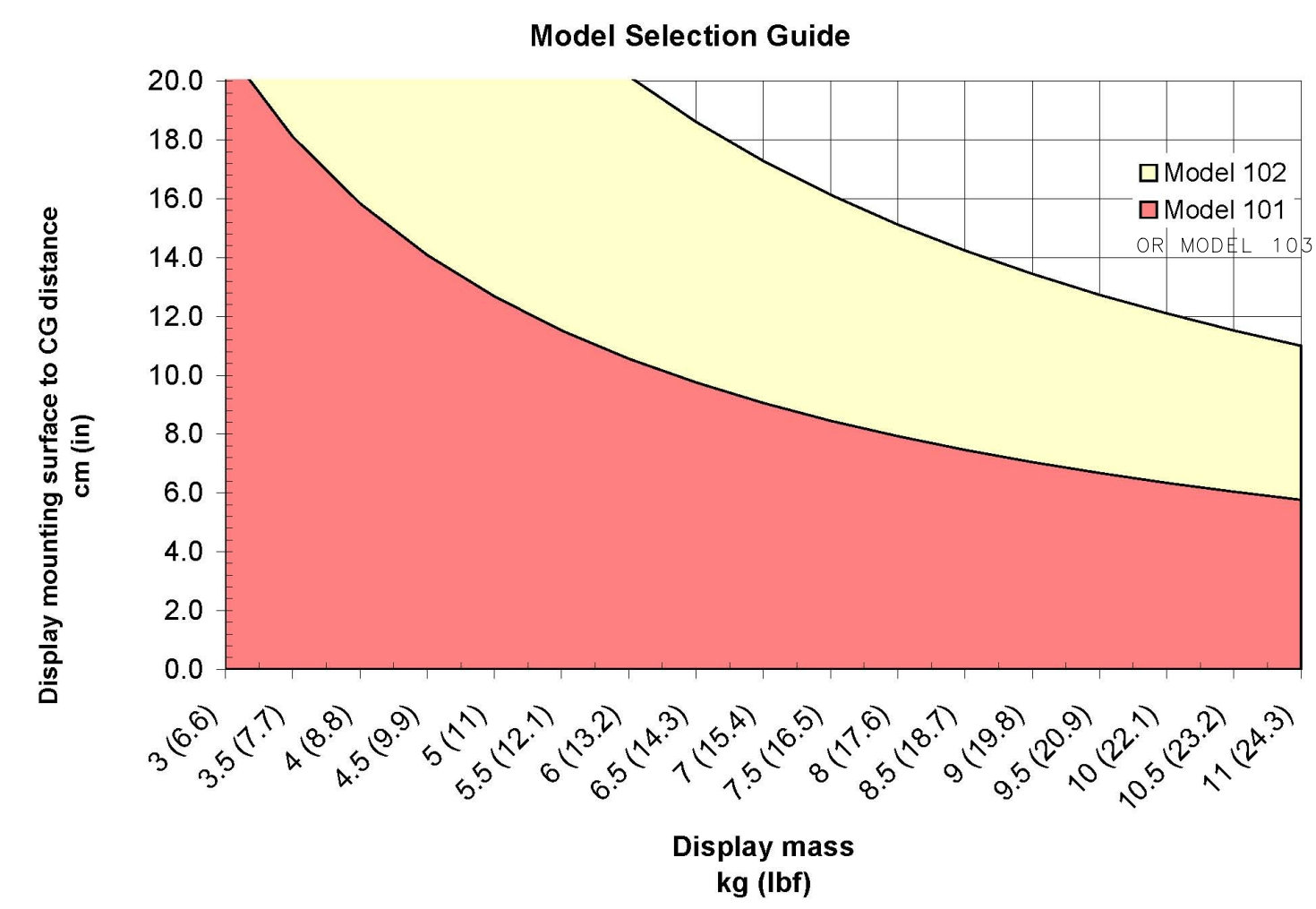
NOTES:

- FINISH: POWDERCOAT COLOR EXTERIOR SURFACES: CLASS "C" PER SOUTHCO SPECIFICATION S-121-03.
- MOUNTING TILT AND SWIVEL HEAD SYSTEM AXIS MOTION AS INDICATED:
FORWARD 20° AND 20° REARWARD DISPLAY TILT
180° DISPLAY HORIZONTAL SWIVEL
- TORQUE SPECIFICATIONS AT A CYCLE LIFE OF 20,000 AT 25% DUTY CYCLE AT SPEEDS LESS THAN 15 RPM:

SWIVEL AND TILT TORQUE TOLERANCE: ±20%
(NOTE: TILT FORWARD AND TILT REARWARD TORQUE MEASURED WITH THE DISPLAY IN THE VERTICAL (0°) POSITION.)

SEE TABLE FOR DETAILS OF ACTUAL TORQUE SPECIFICATIONS

THE BRACKET SYSTEM SHALL WITHSTAND 20,000 CYCLES FOR THE TILT AND SWIVEL FUNCTION WHILE MAINTAINING TORQUES SPECIFIED ABOVE.

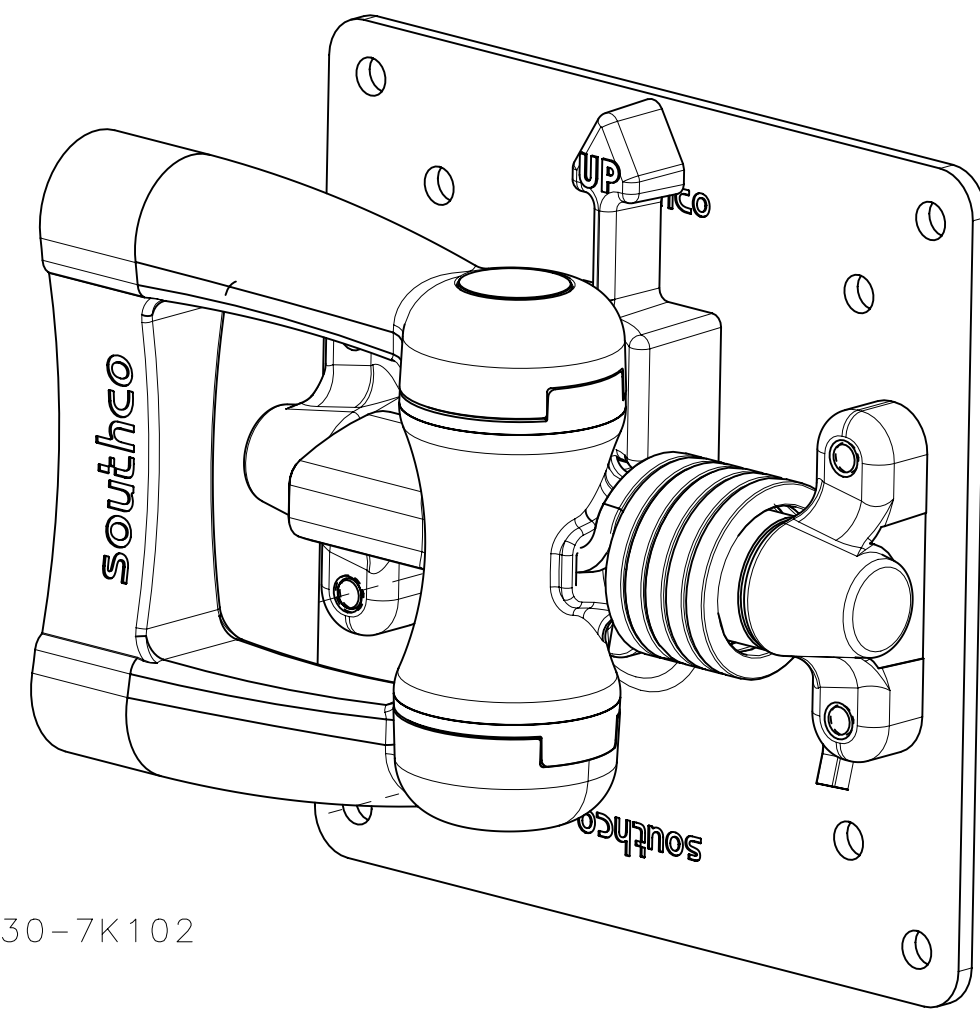


PART NUMBER	LENGTH mm (inch)	MAXIMUM DISPLAY WEIGHT kg (lbm)	REARWARD TILT TORQUE N*m (lbf*in)	FORWARD TILT TORQUE N*m (lbf*in)	SWIVEL SYMMETRIC TORQUE N*m (lbf*in)	COLOR
AV-D30-7K101-50	70 (2.76)	7.48 (16.5)	7.90 (70)	1.13 (10)	2.26 (20)	BLACK
AV-D30-7K101-76	70 (2.76)	7.48 (16.5)	7.90 (70)	1.13 (10)	2.26 (20)	OFFICE WHITE
AV-D30-7K102-50	70 (2.76)	14.9 (33)	15.36 (136)	2.26 (20)	3.39 (30)	BLACK
AV-D30-7K102-76	70 (2.76)	14.9 (33)	15.36 (136)	2.26 (20)	3.39 (30)	OFFICE WHITE
AV-D30-7K103-50	70 (2.76)	14.9 (33)	8.58 (76)	6.01 (53.2)	3.39 (30)	BLACK
AV-D30-7K103-76	70 (2.76)	14.9 (33)	8.58 (76)	6.01 (53.2)	3.39 (30)	OFFICE WHITE

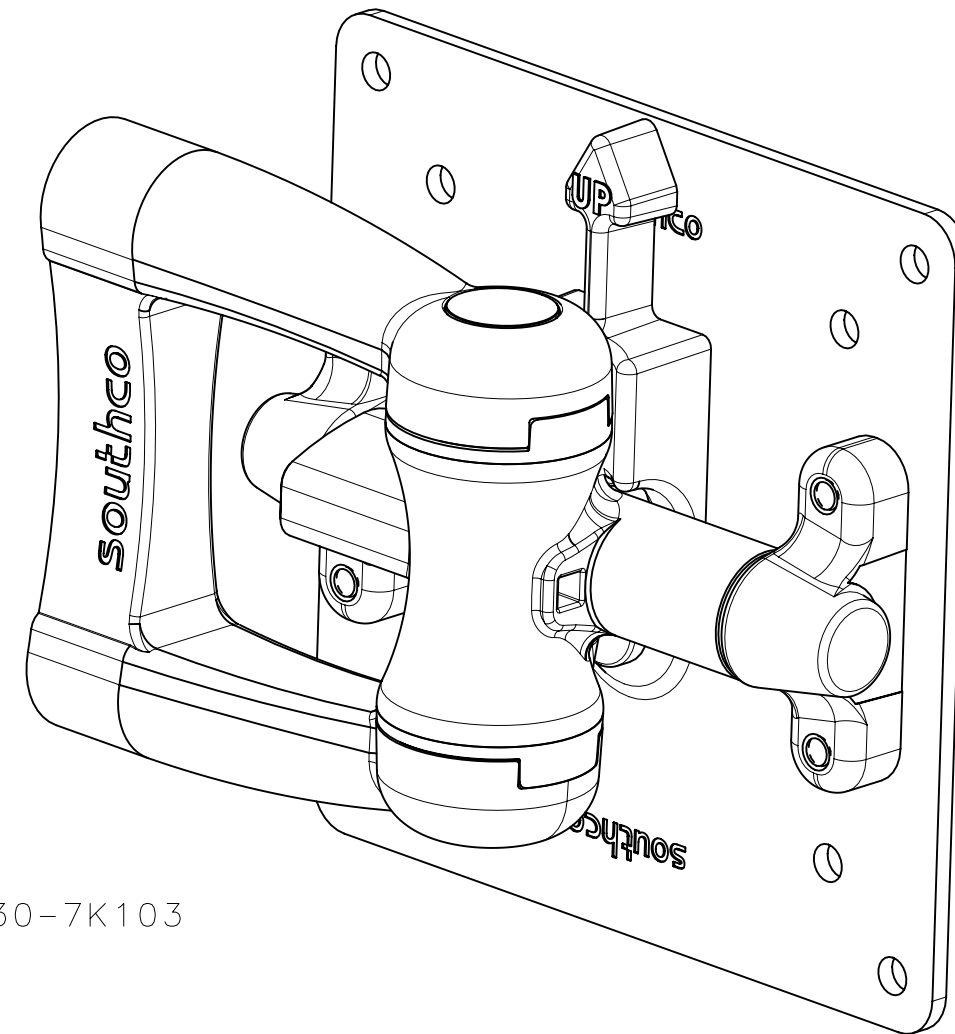


THIRD ANGLE PROJECTION			
MILLIMETERS [IN]			
TOLERANCES UNLESS OTHERWISE NOTED		DESCRIPTION	
ALL DIMENSIONS WITHOUT TOLERANCES ARE FOR REFERENCE ONLY.		Hinge & Controlled Motion Device DYNAMIC TILT AND SWIVEL ASSEMBLY	
PROPRIETARY ITEM EXCEPT FOR USE EXPRESSLY GRANTED IN WRITING. INFORMATION DISCLOSED HEREON IS CONFIDENTIAL AND ALL RIGHTS, TITLE AND INTEREST ARE RESERVED BY SOUTHCO, INC.	SIZE SYSTEM D NX	DWG NO. J-AV-D30-7K101	
PER ASME Y14.5M-1994	DRAWN BY GEA	DATE 10CT2009	SCALE 1:1 SHEET 1 OF 3

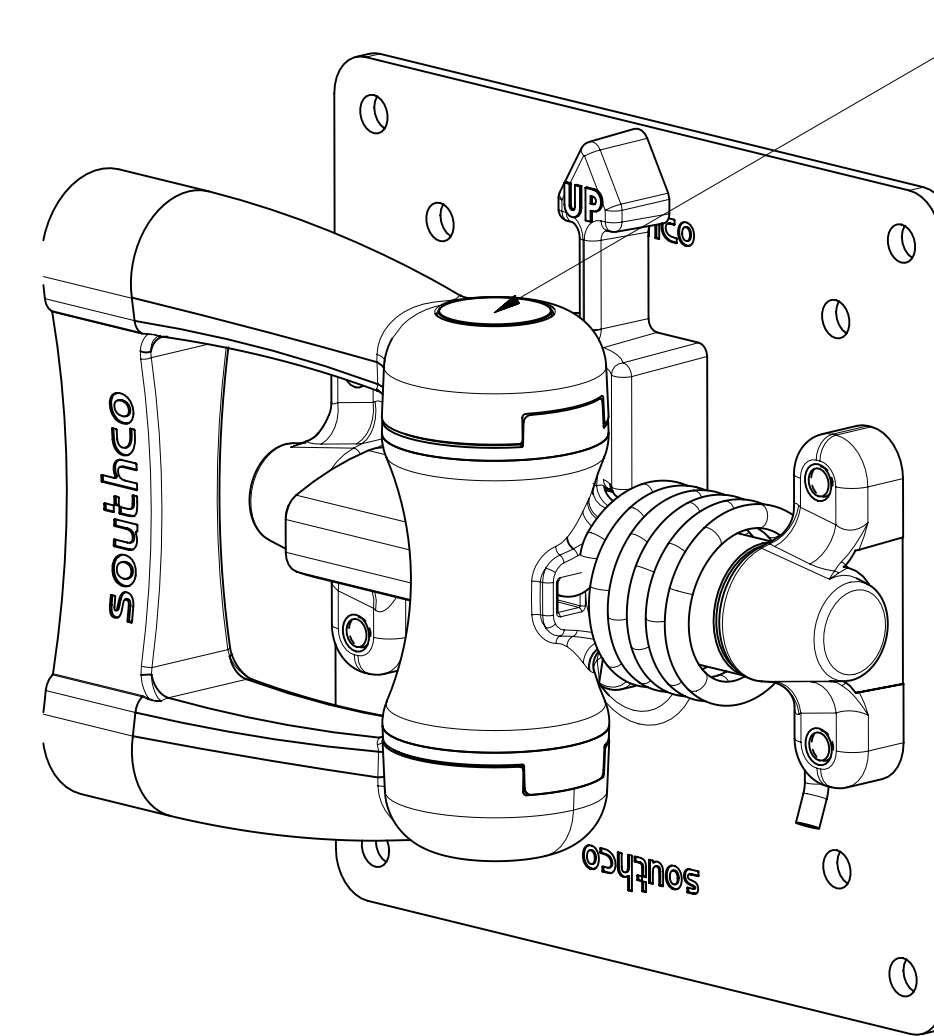
REVISION HISTORY			
REV	DATE	BY	DESCRIPTION
E	20DEC2012	CMS/DGJ	PRN: P2012-1810



AV-D30-7K102



AV-D30-7K103

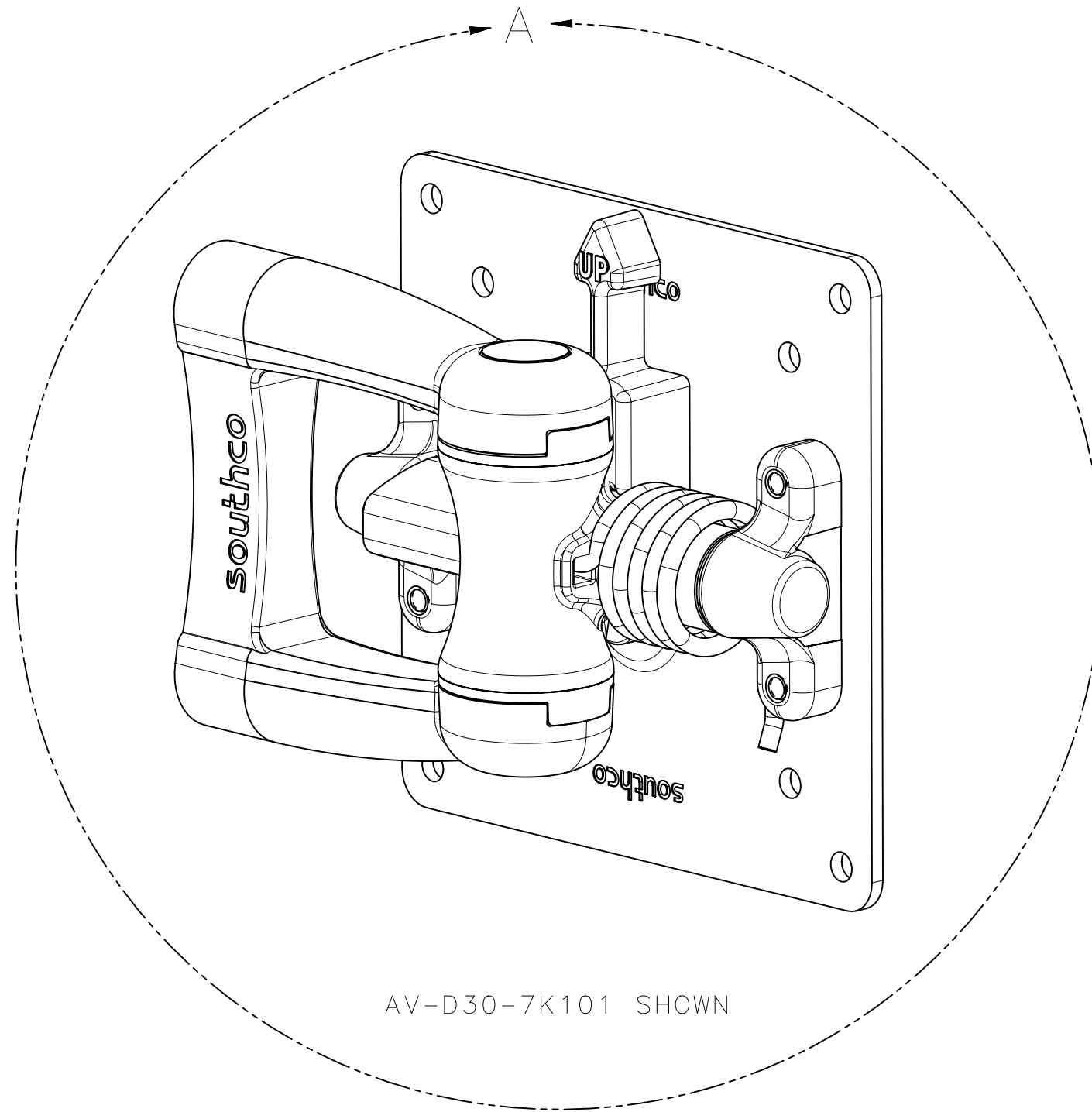


LARGE DIAMETER SURFACE
MUST FACE UPWARD FOR CORRECT MOUNTING

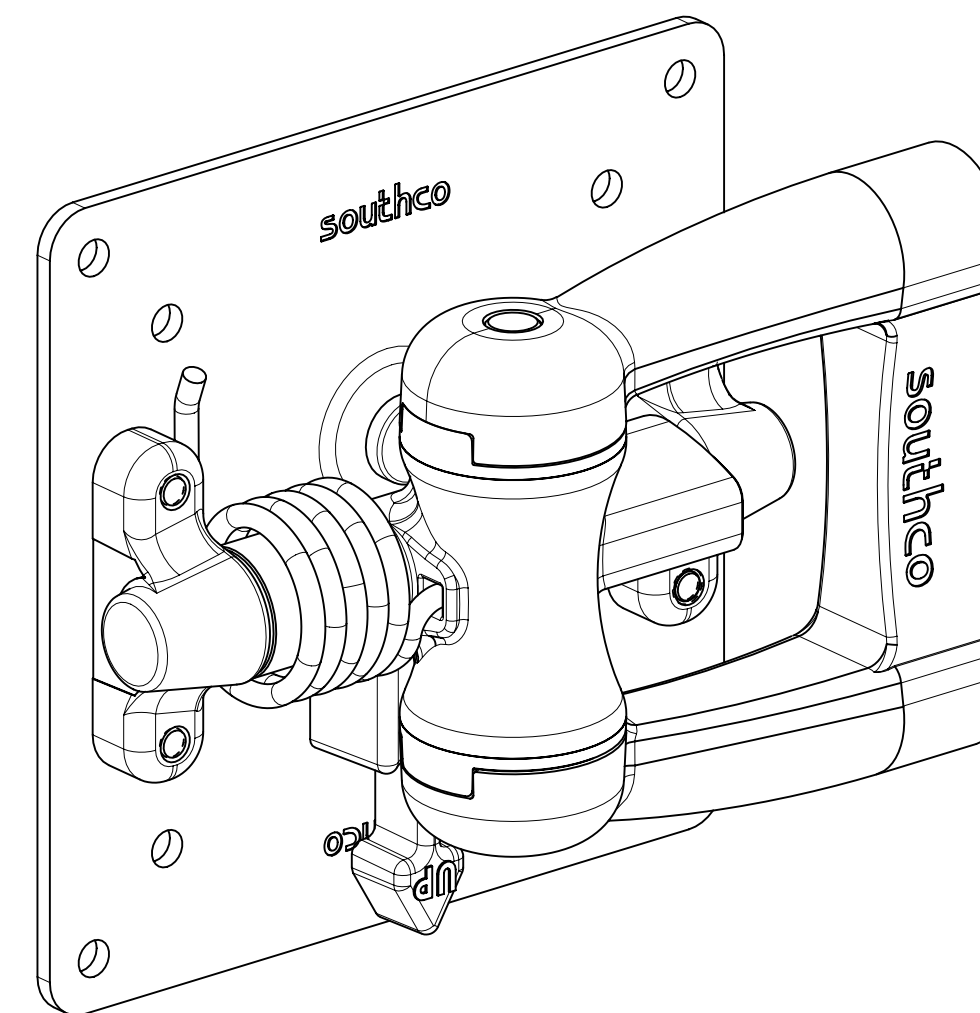
CORRECT MOUNTING

AV-D30-7K101 SHOWN

DETAIL A
SCALE 1:1



AV-D30-7K101 SHOWN



INCORRECT MOUNTING

AV-D30-7K101 SHOWN

STEP 1


1. DETERMINE DESIRED MOUNTING LOCATION. PLEASE CONSIDER ALL OBSTACLES THROUGHOUT THE TILT AND SWIVEL HEAD ASSEMBLY RANGE OF MOTION WHEN SELECTING THE MOUNTING LOCATION.

STEP 2

2. INSTALL TILT AND SWIVEL HEAD USING M6X1 mm FASTENERS.

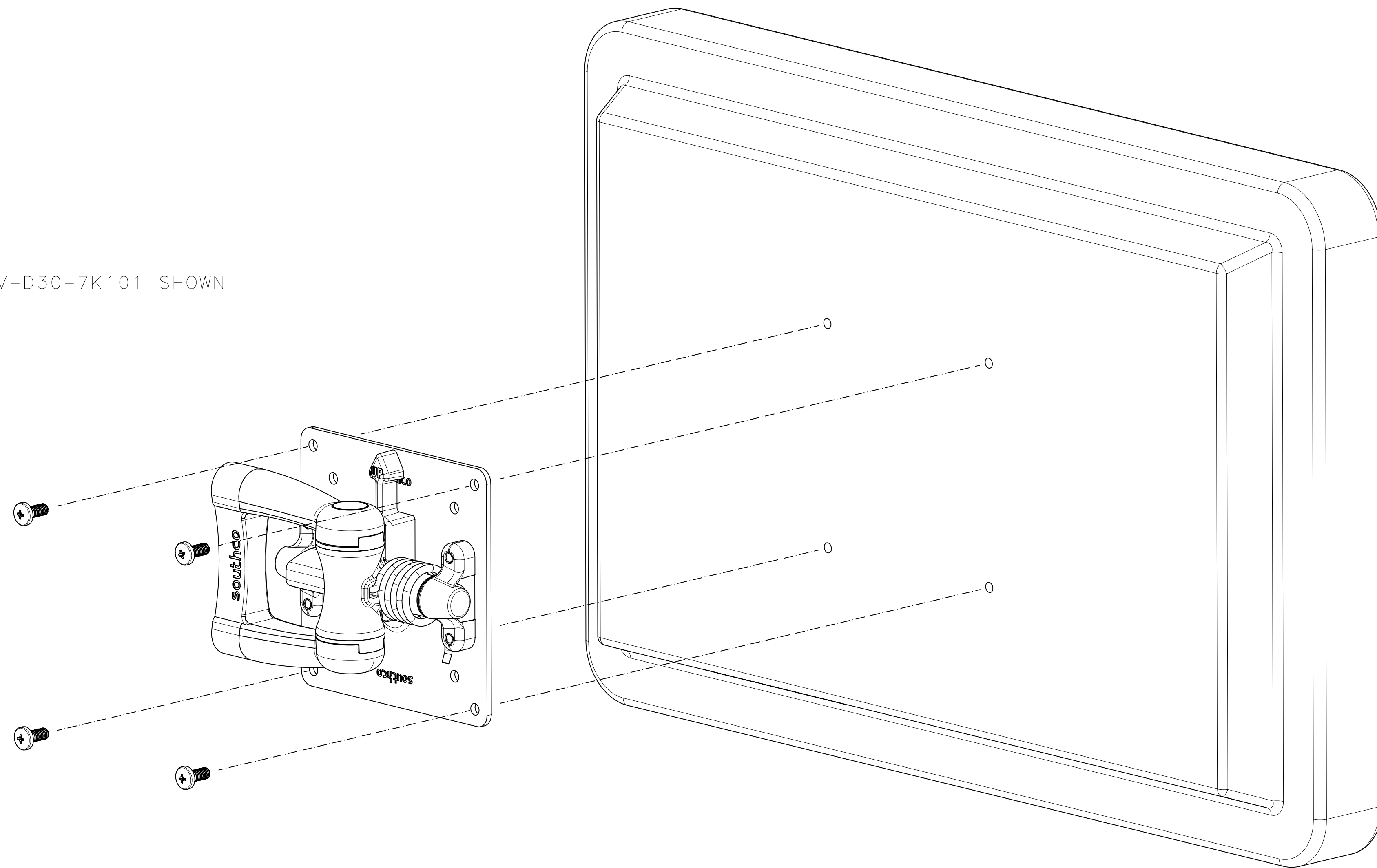
NOTE: BECAUSE OF THE WIDE VARIETY OF AVAILBLE WALL MATERIALS, IT IS THE INSTALLER'S RESPONSIBILITY TO ENSURE THAT THE MATERIALS AND STRUCTURE TO WHICH THE TILT AND SWIVEL HEAD ASSEMBLY IS MOUNTED, AND THE HARDWARE SELECTED, WILL PROVIDE ADEQUATE SUPPPORT.

C. NOTE: FOR PROPER FUNCTION, THE TILT AND SWIVEL HEAD MUST BE INSTALLED WITH THE LARGE DIAMETER SIDE OF THE MONITOR PIVOT PIN FACING UP.

THIRD ANGLE PROJECTION			
MILLIMETERS [IN]			
TOLERANCES UNLESS OTHERWISE NOTED		DESCRIPTION	
ALL DIMENSIONS WITHOUT TOLERANCES ARE FOR REFERENCE ONLY.		Hinge & Controlled Motion Device DYNAMICLT TILT AND SWIVEL ASSEMBLY	
PROPRIETARY ITEM EXCEPT FOR USES EXPRESSLY GRANTED HEREON IS CONFIDENTIAL AND ALL RIGHTS, PATENTS AND OTHERS ARE RESERVED BY SOUTHCO, INC.	PER ASME Y14.5M-1994	SIZE SYSTEM D NX	DWG NO. J-AV-D30-7K101
DRAWN BY GEA		DATE 10CT2009	SCALE 1:1 SHEET 2 OF 3

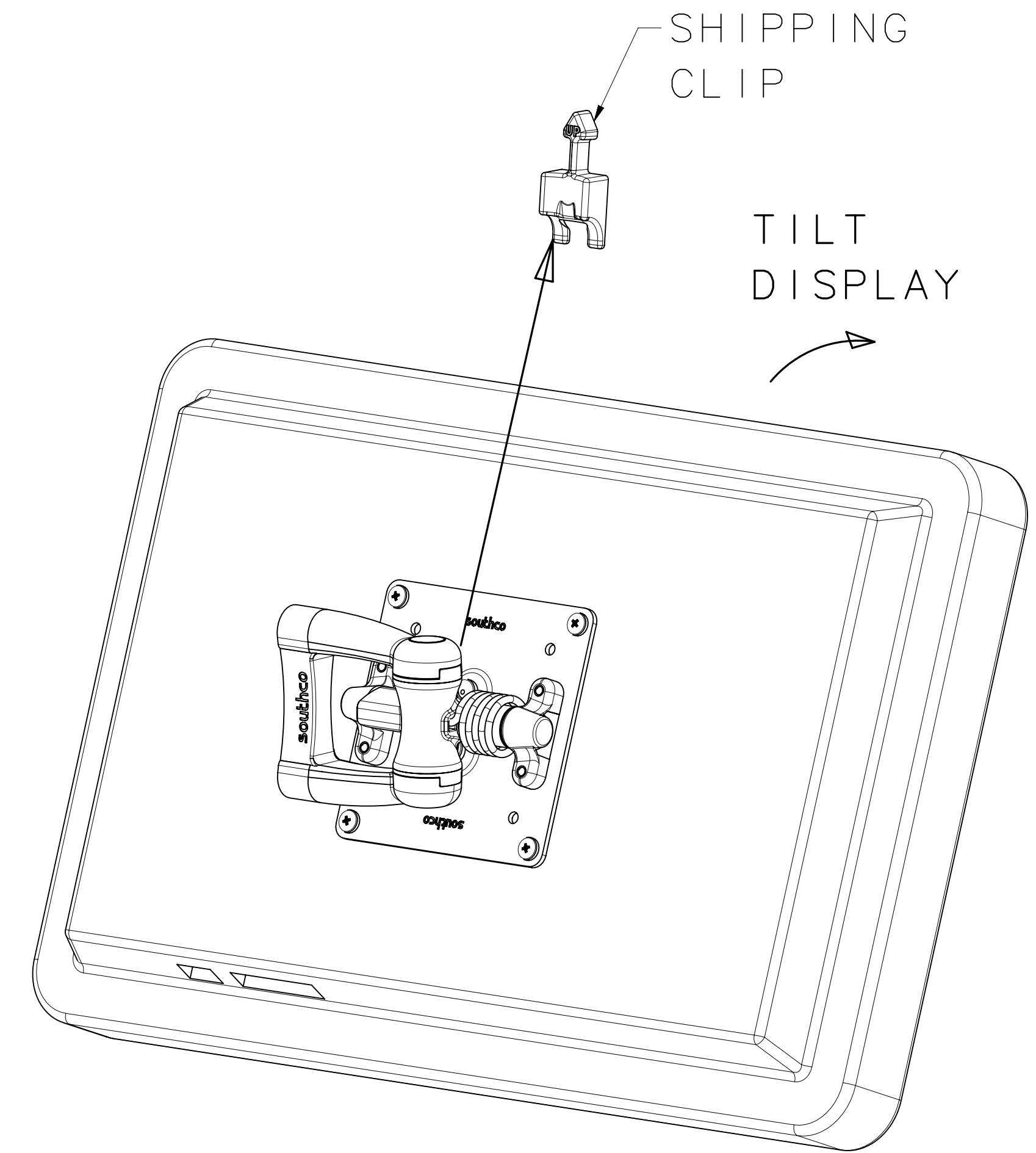
REVISION HISTORY			
REV	DATE	BY	DESCRIPTION
E	20DEC2012	CMS/DGJ	PRN:P2012-1810

AV-D30-7K101 SHOWN



STEP 3

1. ATTACH MONITOR TO MOUNTING PLATE USING 4 EACH DISPLAY MANUFACTURERS RECOMMENDED HARDWARE(NOT PROVIDED), AS SHOWN.



STEP 4

1. TILT DISPLAY FORWARD. REMOVE AND DISCARD SHIPPING CLIP.

THIRD ANGLE PROJECTION				southco CONNECT · CREATE · INNOVATE	
MILLIMETERS [IN]					
TOLERANCES UNLESS OTHERWISE NOTED				DESCRIPTION	
ALL DIMENSIONS WITHOUT TOLERANCES ARE FOR REFERENCE ONLY.				Hinge & Controlled Motion Device DYNAMIC TILT AND SWIVEL ASSEMBLY	
PROPRIETARY ITEM EXCEPT FOR USES EXPRESSLY GRANTED IN WRITING, INFORMATION DISCLOSED HEREIN IS CONFIDENTIAL AND ALL RIGHTS, PATENTS AND OTHERS ARE RESERVED BY SOUTHCO, INC.		SIZE D	SYSTEM NX	DWG NO. J-AV-D30-7K101	
PER ASME Y14.5M-1994		DRAWN BY GEA	DATE 10CT2009	SCALE 1:1	SHEET 3 OF 3