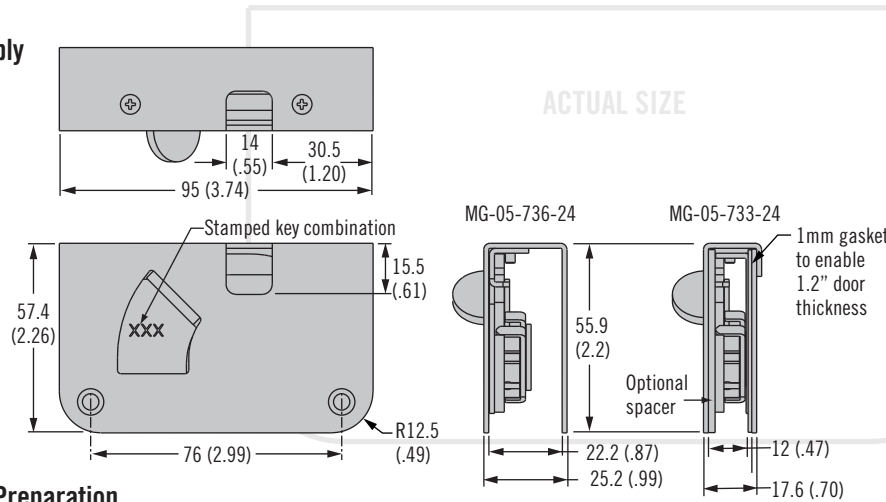


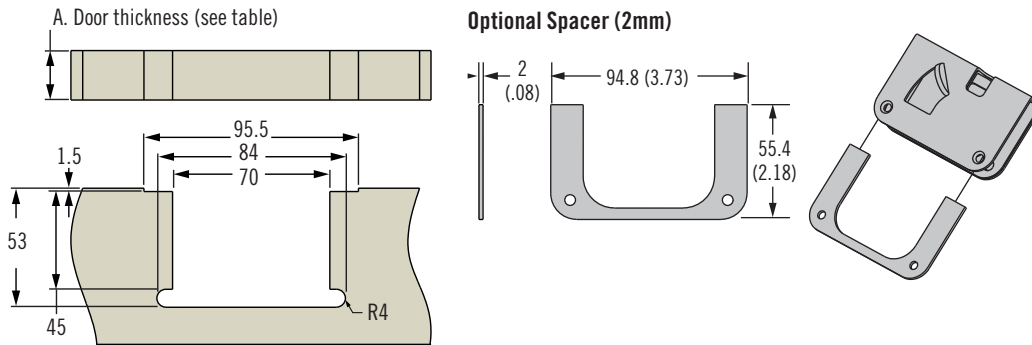
MG Star Sailor Entry Door Lock



Assembly



Panel Preparation



Strikers - Accessories

Day key, black (for secure only)		MF-96-XXX-41
Striker, anodized aluminum		MG-90-102-60
Striker, anodized black		MG-90-102-50
Eyelet striker, stainless steel		MG-90-103-24
Spacer for 10mm (3/8") door thickness		MG-92-100-50
P-striker, anodized aluminum		MG-90-105-50
P-striker, anodized, black		MG-90-105-61

Assembly

MG - 05 - 73 C - 24

C Door Thickness (A) ←
3 12mm (.5)
6 22mm (.86)

- Suitable for 12mm and 22mm entry door thicknesses
- Provide high-end security with the Star Key Lock system's three-axis six-pin tumbler design

Material and Finish

Lock Case: Stainless Steel
 Star Plug: Brass
 Spring: 316 Stainless Steel
 Screws: 316 Stainless Steel

Part Number: MG-05-115

Use with MG-05-733-24 to enable 10mm Door thickness
 Use with MG-05-736-24 to enable 20mm Door thickness

Part Number Selection

Notes

Latch and striker are ordered separately. Please see Striker - Accessories table for options



M5 Push-to-Close Latch

Pull-to-open – Magnetic Catch

- 316 Stainless Steel
- Range of holding powers
- Adjustable swivel catch

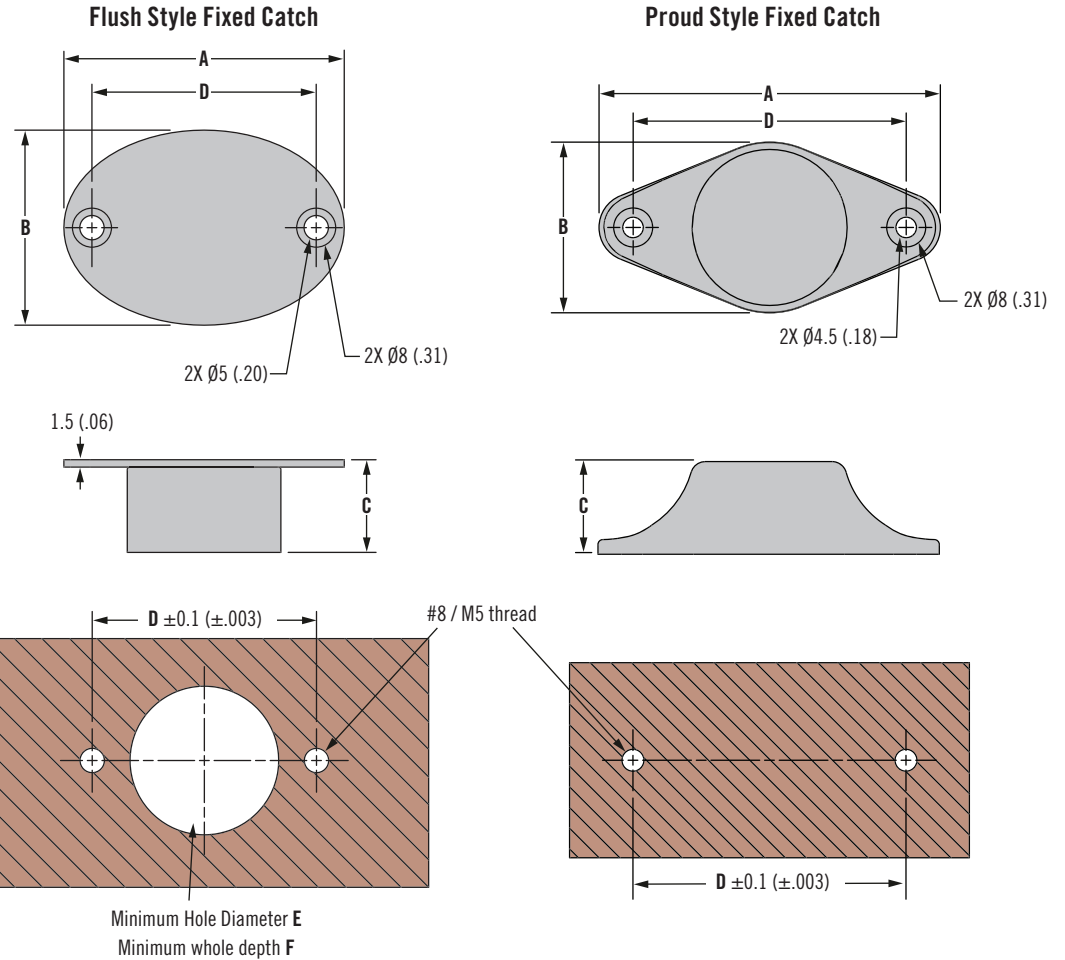
Material and Finish

Catches: 316 Stainless Steel

Magnet: NdFeB

Rubber Bumper: Buna, Black

Screws: 304 Stainless Steel



Fixed Catches

Part Number	Style	Strength	A	B	C	D	E	F
M5-7 M -41-8	Flush	Low	57.5 (2.26)	40 (1.57)	14 (.55)	46 (1.81)	21.5 (.85)	13.5 (.53)
M5-7 M -61-8		High	57.5 (2.26)	40 (1.57)	19 (.75)	46 (1.81)	31.5 (1.24)	18.5 (.73)
M5-7 M -42-8	Proud	Low	46.5 (1.83)	27 (1.06)	15.2 (.60)	34 (1.34)		
M5-7 M -62-8		High	70 (2.76)	35 (1.38)	19 (.75)	56 (2.20)		

M - Magnetic Polarity

N = Negative

P = Positive

How to order:

A complete set consists of a positive fixed catch and a negative fixed or swivel catch. Select catches to meet the needs for mounting style and strength.

Step 1

Select catch strengths.

Magnetic strength of combined catch guidelines		
Nominal Hold	Catch 1 Strength	Catch 2 Strength
50 N (11 lb.)	Low	Low
69 N (15 lb.)	Low	High
118 N (26 lb.)	High	High

Step 2

Select a negative catch style to fit your application.

Options:

Fixed Flush or Proud
Swivel Low Profile or Adjustable Height
Use "N" in 4th character of part number.

Step 3

Select a positive catch style to fit your application.

Options:

Fixed Flush or Proud
Use "P" in 4th character of part number.