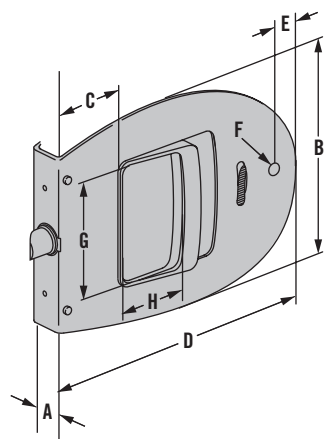
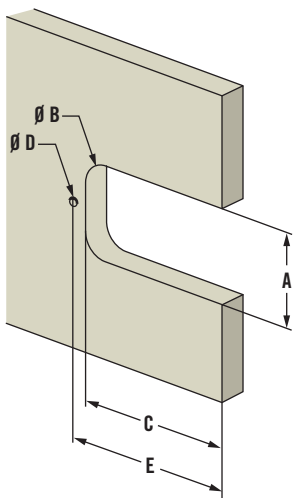


# MR Omni Cabin & Cockpit Door Lock

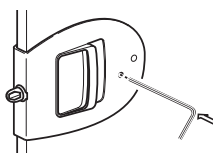


	Imperial		Metric
	Nominal	Decimal	
<b>A</b>	Panel Thickness		
<b>B</b>	6 7/16	6.42	163
<b>C</b>	1 9/64	1.14	29
<b>D</b>	4 9/16	4.57	116
<b>E</b>	3/8	.37	9.5
<b>F</b>	15/64	.24	6
<b>G</b>	1 13/16	1.81	46
<b>H</b>	1 1/32	1.02	26

## Panel Preparation



How to override a locked Omni door lock from the outside



		Imperial		Metric
		Nominal	Decimal	
<b>A</b>	min.	2 3/16	2.19	55.6
	max.	2 1/4	2.27	57.9
<b>B</b>	min.	1/4	.25	6.4
	max.	9/16	.56	14
<b>C</b>	min.	3 13/16	3.813	96.8
	max.	3 7/8	3.875	98.4
<b>D</b>	-	1/4	.25	6.4
<b>E</b>	-	4 3/16	4.19	106.3

Omni Part Numbers						
	Spring bolt		Flat		2 step	
Door thickness (A)	Privacy	No privacy	Privacy	No privacy	Privacy	No privacy
12.7 mm (1/2)	MR-01-120-24	MR-01-100-24	MR-02-120-24	MR-02-100-24	MR-03-120-24	MR-03-100-24
16 mm (5/8)	MR-01-121-24	MR-01-101-24	MR-02-121-24	MR-02-101-24	MR-03-121-24	MR-03-101-24
19 mm (3/4)	MR-01-122-24	MR-01-102-24	MR-02-122-24	MR-02-102-24	MR-03-122-24	MR-03-102-24
Features						
Privacy	X	-	X	-	X	-
Adjust Spring Bolt	X	X	-	-	X	X
Bumpers (both sides)	X	X	X	X	X	X
Left and Right swing	X	X	X	X	X	X

## Options

Striker Part Number	
Omni Flat	MR-90-100-10

Doorkeeper Part Numbers		
Type	White	Black
1	MR-91-101-70	MR-91-101-50
2	MR-91-102-70	MR-91-102-50

- All marine-grade materials for corrosion resistance
- Flush outer surface
- Privacy button option
- Optional doorkeeper holds door in open position

## Material and Finish

Handle, housing: Acetal, black  
Escutcheon: Stainless steel, polished



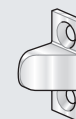
Omni 2-Step



Omni Flat



Omni Spring Bolt



Omni Flat Striker

## Doorkeepers

Type 1



12 (1/2")

Type 2



18 (11/16")



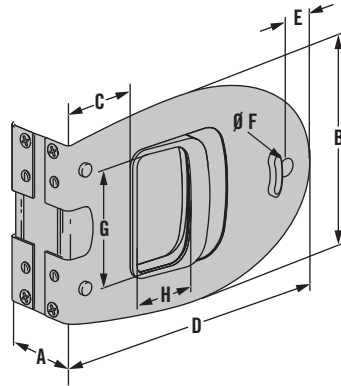
# MR Omni Bob Transom Door Latch

- Easily-adjustable springbolts for left- or right-swing are included for fast conversion
- Nylon bumpers reduce vibration and prevent door rattle
- Optional doorkeeper holds door in open position

### Material and Finish

Lock engine: Aluminum  
 Handles, escutcheons finish: Chrome, aluminum and black  
 Privacy: Acetal

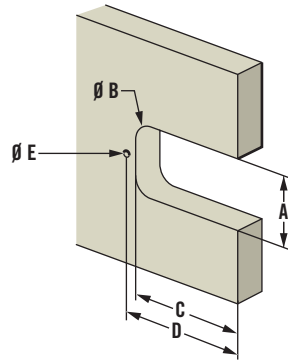
### Omni Bob



	Imperial		Metric
	Nominal	Decimal	
A	Panel Thickness		
B	3 15/16	3.90	99
C	1 3/8	1.38	35
D	5 5/16	5.32	135
E	15/64	.24	6
F	15/64	.24	6
G	2 5/32	2.17	55
H	1 3/16	1.18	30

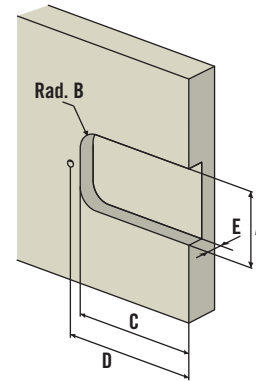
### Panel Preparations

#### Omni Bob



	Imperial		Metric
	Nominal	Decimal	
A	2 11/16	2.67	68
B	5/8	.63	16
C	4 11/16	4.69	119
D	5 3/64	5.04	128
E	15/64	.24	6

#### Omni Bob Single



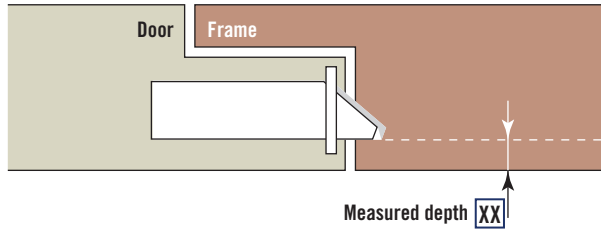
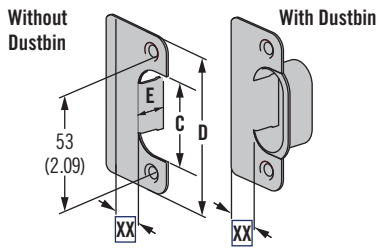
	Imperial		Metric
	Nominal	Decimal	
A	2 11/16	2.67	68
B	5/16	.32	8
C	4 11/16	4.69	119
D	5 3/64	5.04	128
E	25/32	.787	20

### Part Number Selection

Omni Bob Part Numbers	
Door thickness range	
25 - 31 mm (1 - 1-1/4")	MR-04-106-24
30 - 36 mm (1-3/16 - 1-7/16")	MR-04-107-24
35 - 41 mm (1-3/8 - 1-5/8")	MR-04-108-24
40 - 46 mm (1-9/16 - 1-13/16")	MR-04-109-24
45 - 51 mm (1-3/4 - 2")	MR-04-1010-24

Omni Bob Single Part Numbers		
Door thickness range	Door Swing	
25 mm (1")	right out/left in	MR-05-603-24
25 mm (1")	left out/right in	MR-05-703-24

# MC Striker



To find the right striker for your application, measure the distance from the door face to the edge of the springbolt of the latch.

C		D		E	
Metric	Imperial	Metric	Imperial	Metric	Imperial
36	1 7/16	68	2 11/16	13	1/2

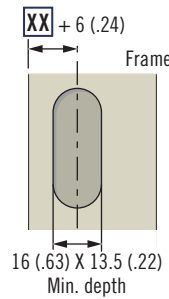
## Part Number Selection

**MC - 90 - Z XX - FF**

**Z Dustbin Option**  
 1 No Dustbin  
 2 With Dustbin

**XX Position**  
 03 3mm (7/64")    13 13mm (1/2")  
 05 5mm (3/16")    16 16mm (5/8")  
 07 7mm (1/4")    21 21mm (7/8")  
 09 9mm (3/8")

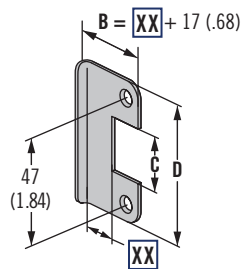
**FF Finish**  
 10 Brass, nickel plated  
 24 Stainless steel



- Available in seven different sizes
- Suitable for Offshore, McCoy, Compact, and Omni swing door latches and many door and frame configurations and door thicknesses
- Striker tongue prevents wear from boat vibration
- Optional dustbin hides sawdust in the cut out hole and provides an elegant finish to the frame edge

[www.southco.com/MC](http://www.southco.com/MC)

# MC Whale Striker



C		D	
Metric	Imperial	Metric	Imperial
60	2 3/8	22	7/8

## Part Number Selection

**MC - 90 - 3 - XX - FF**

**XX Position**  
 03 3mm (7/64")    13 13mm (1/2")  
 05 5mm (3/16")    16 16mm (5/8")  
 07 7mm (1/4")    21 21mm (7/8")  
 09 9mm (3/8")

**FF Finish**  
 10 Brass, nickel plated

- Suitable for Offshore, McCoy and Compact swing door latches.
- Quick and easy installation