



R3 Push-to-Close Latch

Pull-to-open · Paddle handle · Baggage door latch

- Environmentally sealed
- Emergency release
- For use with R4 rotary latches

Material and Finish

Latch assembly: Zinc alloy, black or white powder coated or chrome plated

Slide bolt: Zinc alloy, zinc plated

Striker mounting plates and brackets: Steel, zinc plated

Performance Details

Max. working load: 560 N (125 lbf)

Installation Notes

Max. tightening torque on mounting screws: 2.8 N·m (25 in·lbf)

Notes

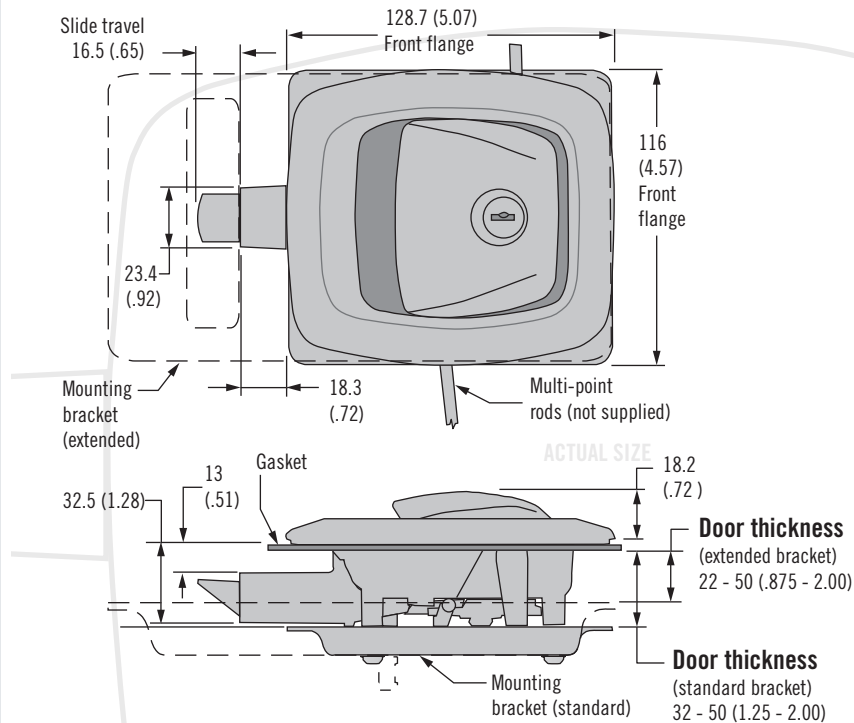
*For lock core selection and a complete overview of the *SOUTHCO*® Key-Choice System see page 190

Part Number

Order latch, bracket and mounting screws separately.

For latch see table

For bracket and mounting screws see page 273

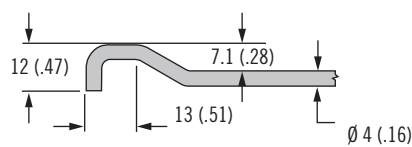


Multi-Point Capable

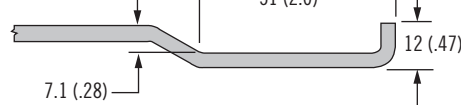
For applicable rotary latches see page 255

Actuating rods are not supplied
Recommended rod configuration shown below

Rod A

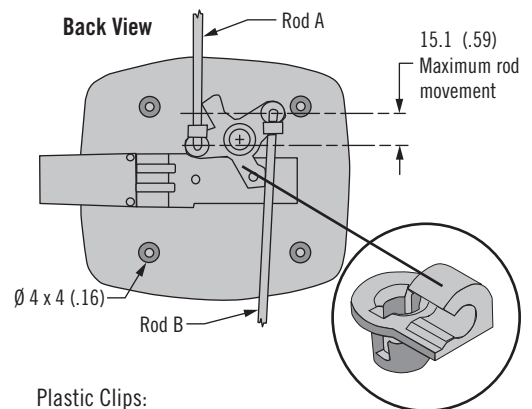


Rod B



Latch shown in actuated (unlatched) position (slide retracted)

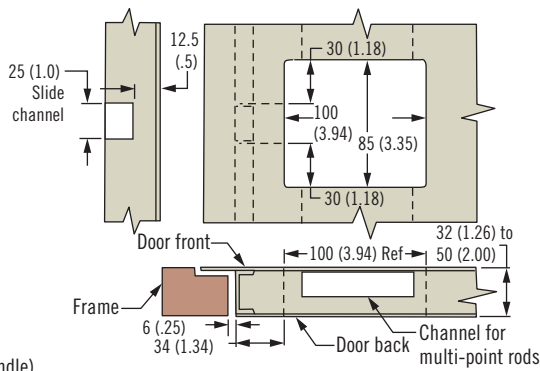
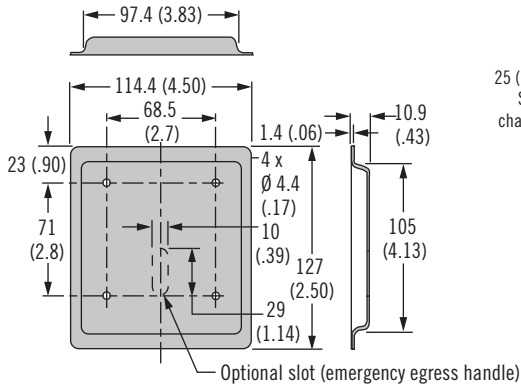
Back View



Plastic Clips:
Part number:
R4-0-43922 for 4mm rods are available as an option

Latch Finish	Part Number			
	Locking (CH751) (2 Flat Keys Included)	Locking (Reversible Key) R001 (2 Flat Keys Included)	Locking (No Core)*	Non-Locking
Chrome, polished	R3-20-350-10	R3-20-320-10	R3-20-390-10	R3-20-300-10
Black powder coated	R3-20-350-50	R3-20-320-50	R3-20-390-50	R3-20-300-50
White powder coated	R3-20-350-70	R3-20-320-70	R3-20-390-70	R3-20-300-70

Standard Bracket



Accessories

Flat key, keyed alike CH751
(2 keys per ring)
Part number: PK-10-01



Overmoulded key, keyed alike CH751
(2 keys per ring)



Part number: PK-10-01-05

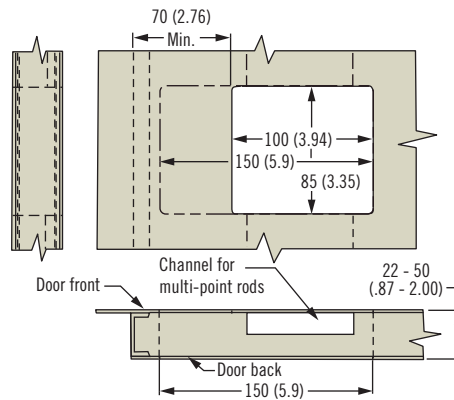
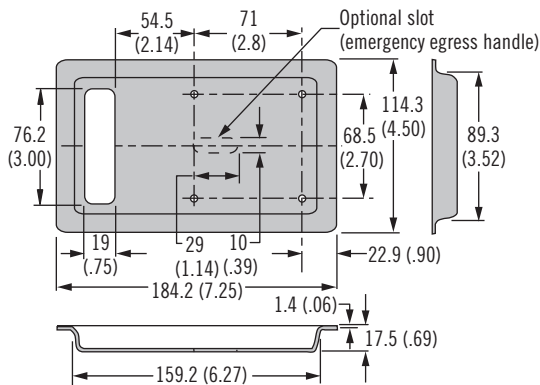
Overmoulded key, keyed alike R001
(2 keys per ring)

Part number: PK-10-01-KR001

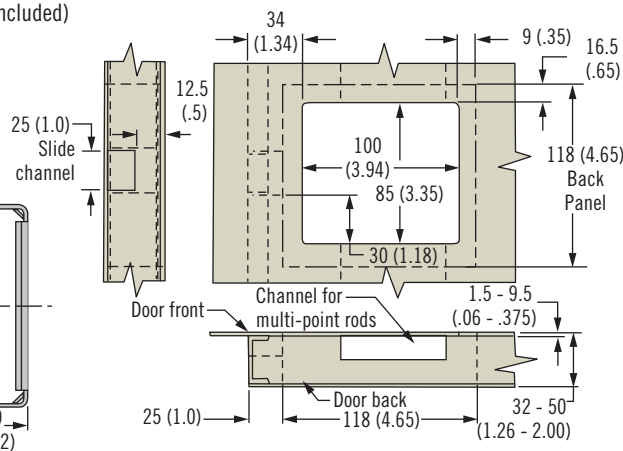
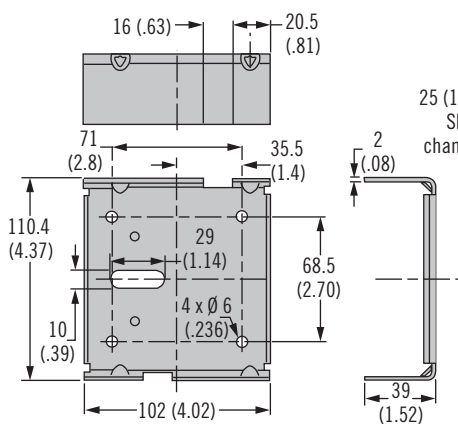
Emergency egress handle (optional):
Part number: R3-21-110



Extended Bracket



U-Bracket (slot for emergency egress handle included)



Notes

U-bracket is intended for sheet metal door applications

Part Number

Order latch, bracket and mounting screws separately.

For latch see page 272

For bracket and mounting screws see table

Bracket Part Number		No. 8 Self Tapping Screw (Part Number By Length)				
		R3-23-250-01	R3-23-250-02	R3-23-250-03	R3-23-250-04	R3-23-250-05
		16 (.625) Long	19 (.750) Long	25.4 (1.00) Long	32 (1.250) Long	38 (1.500) Long
Standard Bracket	R3-23-160-11-01	32 (1.250)	32 (1.250) - 38 (1.500)	38 (1.500) - 44 (1.750)	44 (1.750) - 50 (2.00)	—
Extended Bracket	R3-23-162-11-01	22 (.875) - 25 (1.00)	25 (1.000) - 32 (1.250)	32 (1.250) - 38 (1.500)	38 (1.500) - 44 (1.750)	44 (1.750) - 50 (2.00)
U-Bracket	R3-23-161-11	1.5 (.0620) - 4.8 (.187)	4.8 (.187) - 9.5 (.375)	—	—	—
Door thickness						



R3 Push-to-Close Latch

Pull-to-open · Paddle handle · Entry door latch

- Environmentally sealed
- Dual sided access and locking

Material and Finish

Latch assembly: Zinc alloy, black powder coated or white or chrome plated

Slide bolt: Zinc alloy, zinc plated

Striker mounting plates and brackets: Steel, zinc plated

Performance Details

Max. working load: 560 N (125 lbf)

Operating temperature range: -18°C (0°F) to 60°C (140°F)

Installation Notes

Max. tightening torque on mounting screws: 2 N·m (14 in·lbf)

Accessories

Overmoulded key, keyed alike CF305 (2 keys per ring)

Part number: PK-10-01-09-CF305



Replacement screws

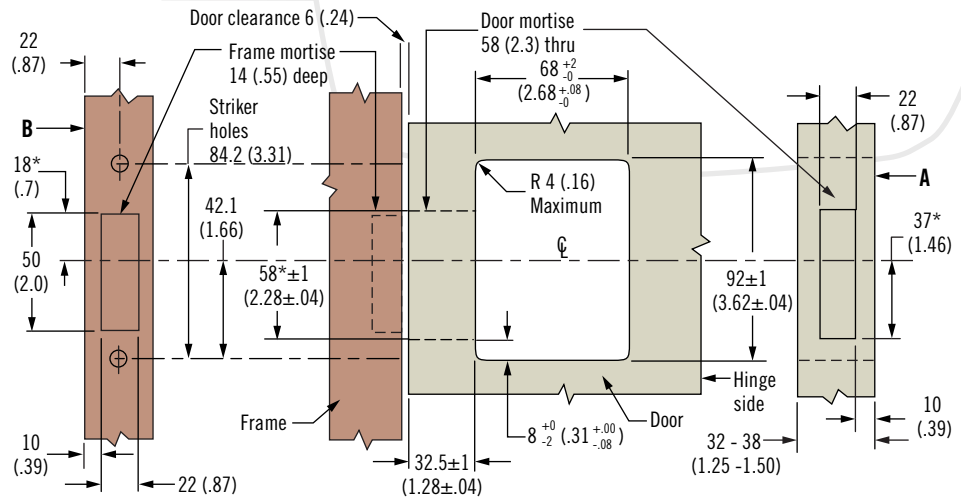
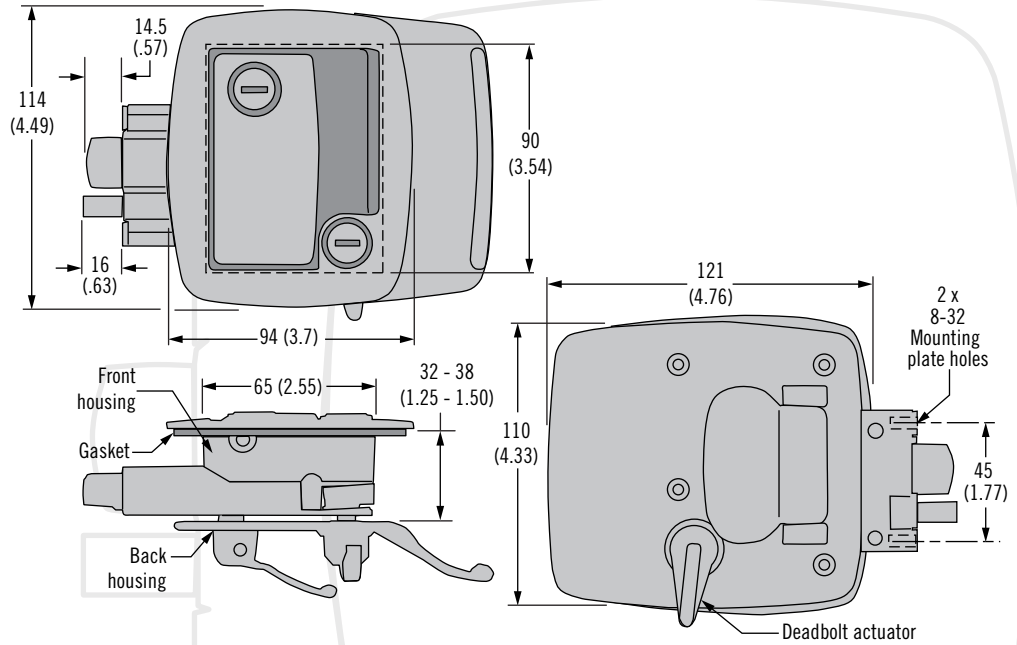
Part number: R3-13-310

Notes

Mounting plate, striker plate and all mounting screws except striker plate screws are provided with each lock set.

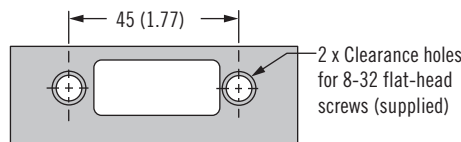
Part Number

See table

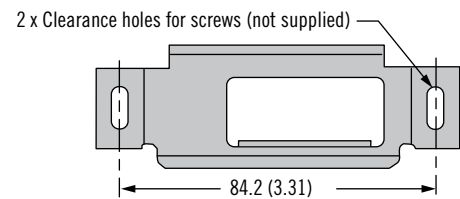


*For left hand mounting mirror the dimensions marked with * by moving them to the other side of the centreline.

Mounting Plate



Striker Plate



Finish	Latch Part Number
Chrome, polished	R3-10-311-10
Black powder coated	R3-10-311-50
White Powder coated	R3-10-311-70

Part Number	
Mounting plate	R3-13-190
Striker plate	R3-13-180