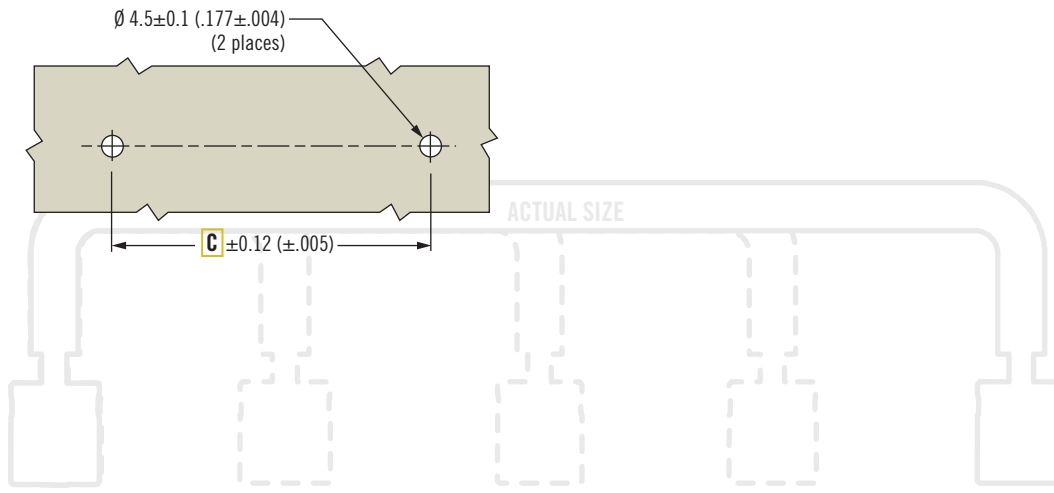
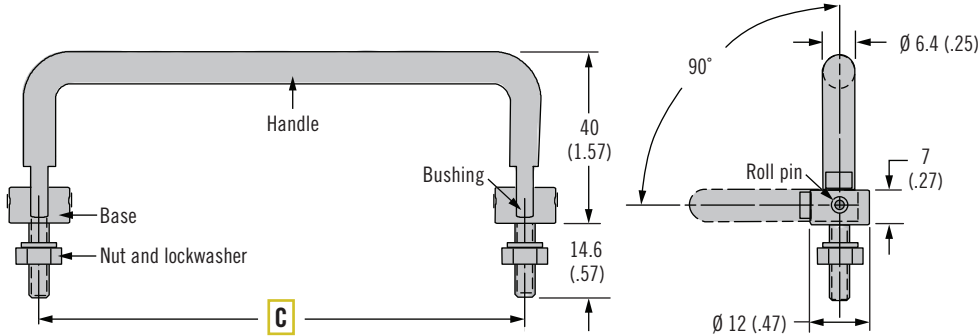
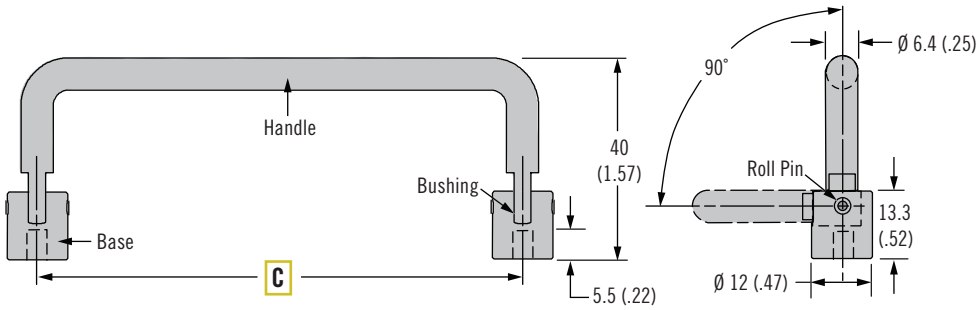


# P9 Grab Handle

## Folding · Surface mount



**P9 - C - 40 - T B - 1 F - P**

**C** Centers

- 040 40 (1.57) Hole centers
- 064 64 (2.52) Hole centers
- 096 96 (3.78) Hole centers
- 128 128 (5.04) Hole centers

**T** Thread

- 08 Imperial 8-32
- M4 Metric M4 x 0.7

**B** Base type

- N Internal thread
- X External thread

**P** Packing option

- Omit for individual packaging (1 per bag)
- 3 Layer packaging contact Southco

**F** Finish

- 1 Clear anodized
- 5 Black anodized

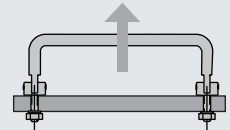
- Low profile folding style
- Concealed installation
- Anti-rattle friction feature

**Material and Finish**

Handle and base:  
Aluminum, anodized, clear or black  
Roll pin, mounting nuts and lockwashers:  
Stainless steel passivated  
Bushing: Nylon

**Performance Details**

Maximum static load:  
Internal threaded version  
600 N (135 lbf)  
External thread version  
400 N (90 lbf)



**Installation Notes**

Internal thread:  
Screws not supplied.  
Calculate screw length using the following formula:  
Door thickness + 5 (.20)  
Maximum tightening torque of mounting screws: 1.7 N·m (15 in·lbf)  
External thread:  
Maximum door thickness 8.4 (.33)  
Mounting nuts supplied.  
Maximum tightening torque of nuts: 11.5 N·m (10 in·lbf)

**Part Number Selection**

For visual identification:  
M4 products have a counterbored hole.  
8-32 products have a countersunk hole