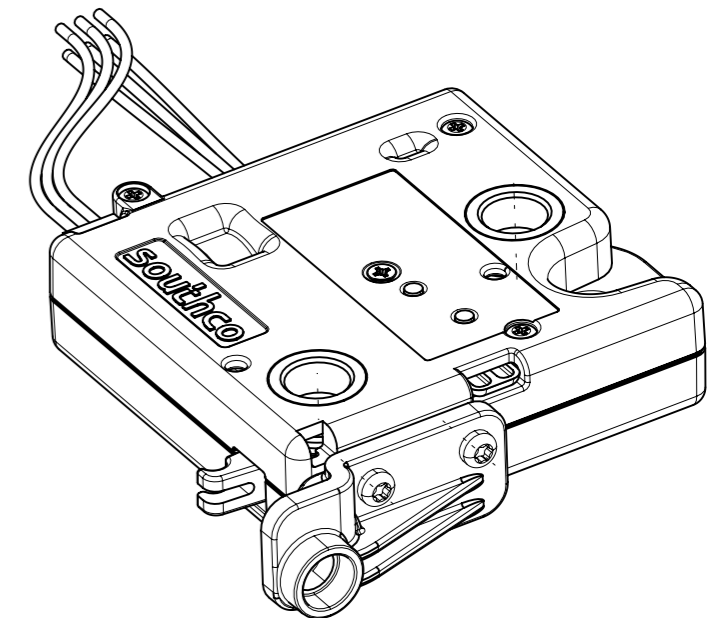


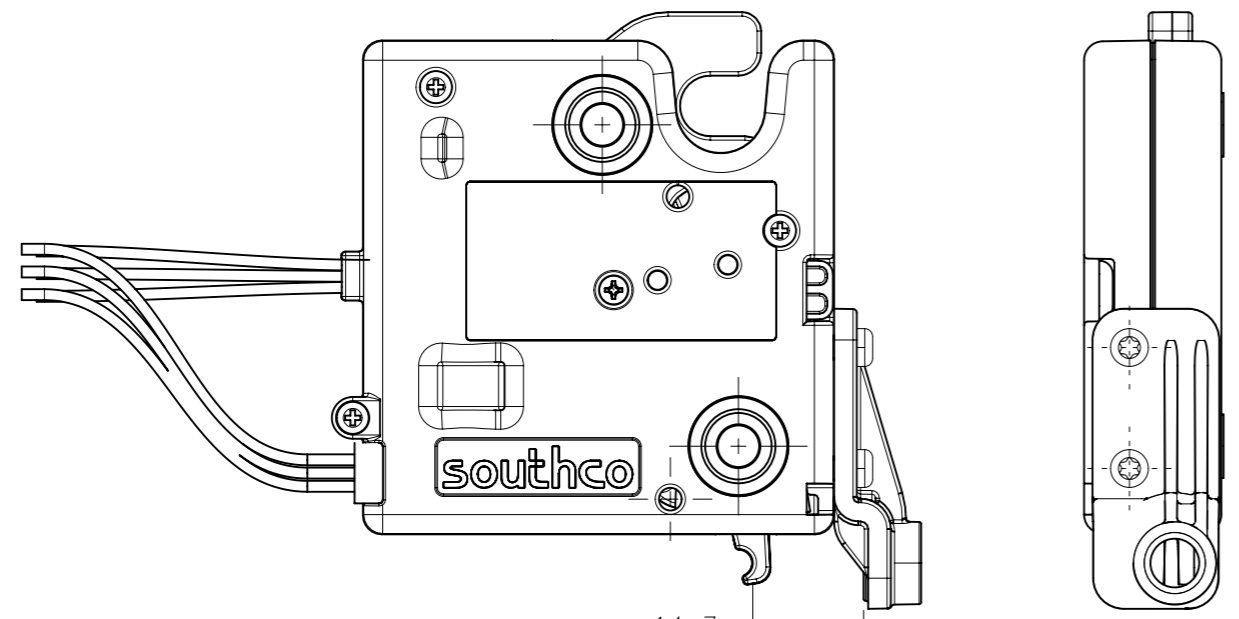
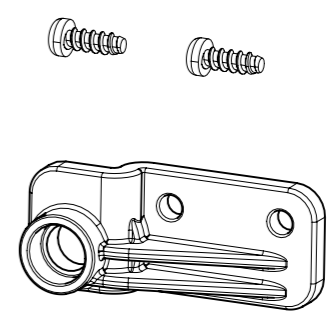
REVISION HISTORY			
REV	DATE	BY	DESCRIPTION
C	22AUG2016	CCH/GGG	PRN: P2016-1922

NOTES:

- ALL COMPONENTS RoHS COMPLIANT.
- COSMETIC SPECIFICATION:
ALL SURFACES, UNLESS OTHERWISE NOTED, ARE TO CONFORM TO A CLASS "C" DESIGNATION AS DESCRIBED IN SOUTHCO COSMETIC SPECIFICATION:
S-121-02 FOR ZINC PLATING
S-121-04 FOR PLASTIC PARTS
- THE R4-EM MECHANICAL OVERRIDE MOUNTING KIT ALLOWS A MECHANICAL OVERRIDE CABLE SYTEM TO BE ATTACHED TO THE LIGHT DUTY R4-EM FAMILY OF LATCHES. THE KIT CAN BE USED WITH: R4-EM-4X-XXX AND R4-EM-6X-XXX. KIT CONTAINS ONE BRACKET AND TWO SELF TAPPING M3x8 SCREWS.
- BRACKET IS INTENDED FOR USE WITH CABLES HAVING $\square 6.35\text{mm}$ ($\square 0.25"$) SNAP RING CONDUIT FITTINGS.
- CONTACT SOUTHCO FOR AVAILABLE CABLE OPTIONS.
- INSTALLATION:
A. LOCATE THE TWO $\varnothing 2.4$ HOLES SPACED 16mm APART AT THE BOTTOM OF THE LATCH.
B. MATE THE FLATE FACE OF THE BRACKET WITH THE FLAT SURFACE AT THE BOTTOM OF THE LATCH AND ALIGN BRACKET HOLES WITH LATCH BOTTOM COVER HOLES AS SHOWN.
C. SECURE THE BRACKET TO THE LATCH USING TWO M3x8 SELF TAPPING SCREWS. MAXIMUM SCREW TORQUE 0.25 Nm (2.2 IN-LBS).
- TRIGGER TRAVEL TO MECHANICAL OVERRIDE UNLOCK IS 2.1mm.
- FOR SOUTHCO TYPE 5 CABLE ASSEMBLIES, THE VARIABLE "TLC" = 12.2mm. SEE J-AC-C FOR DETAILS.



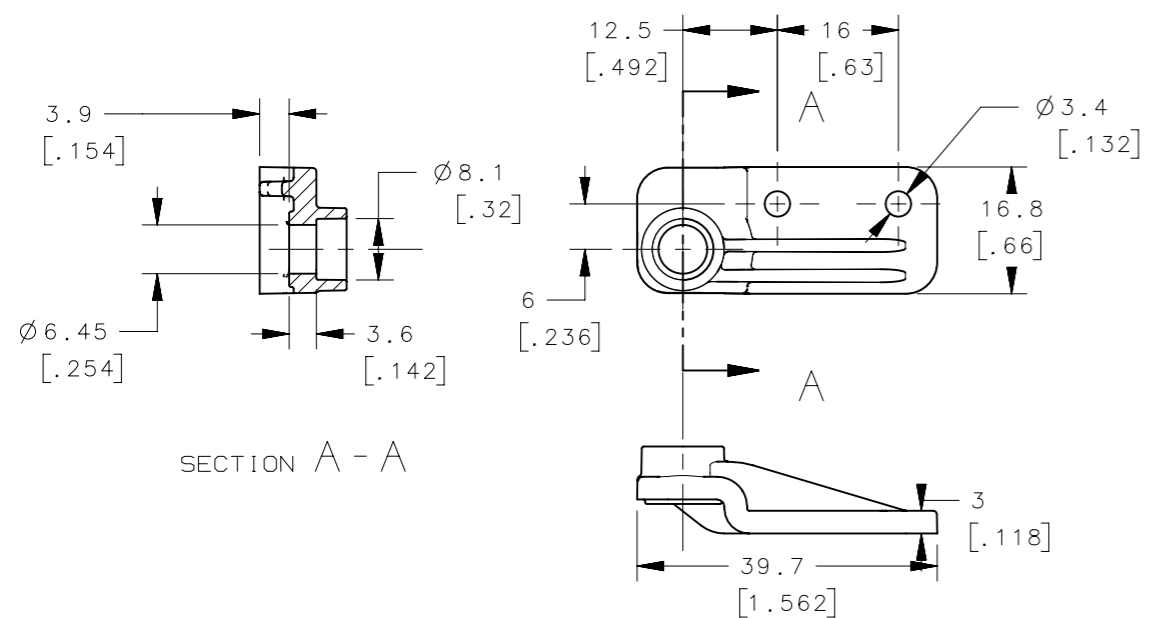
R4-EM-72 KIT



14.7
[.577]
SEE NOTE 8
SEE NOTE 7



11.5
[.453]



SECTION A - A

NO.	QTY	TYPE OF COMPONENT	MATERIAL/PART #	FINISH
2	1	BRACKET	NYLON PA6GF15	BLACK
1	2	SCREW	STEEL	ZINC PLATE
-	-	ASSEMBLY	R4-EM-72	-

THIRD ANGLE PROJECTION		 CONNECT • CREATE • INNOVATE	
MILLIMETERS [IN]			
TOLERANCES UNLESS OTHERWISE NOTED		DESCRIPTION	
SURFACE AREA XXXXXmm ²		Electronic Access Solution	
VOLUME XXXXXmm ³		R4-EM MECHANICAL OVERRIDE MOUNTING KIT	
PROPRIETARY ITEM		SIZE A3	SYSTEM NX
EXCEPT FOR USES EXPRESSLY GRANTED IN WRITING, INFORMATION DISCLOSED HEREON IS CONFIDENTIAL AND ALL RIGHTS, PATENT AND OTHERWISE, ARE RESERVED BY SOUTHCO, INC.		DWG NO. J-R4-EM-72	
PER ASME Y14.5M-1994		DRAWN BY IR/	DATE 09 FEB 11
		SCALE DNS	SHEET 1 OF 1