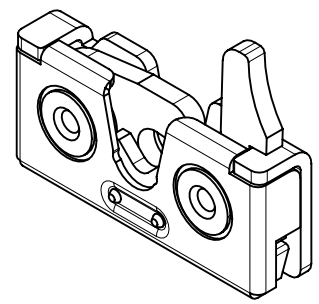
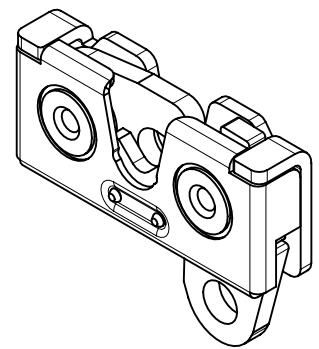


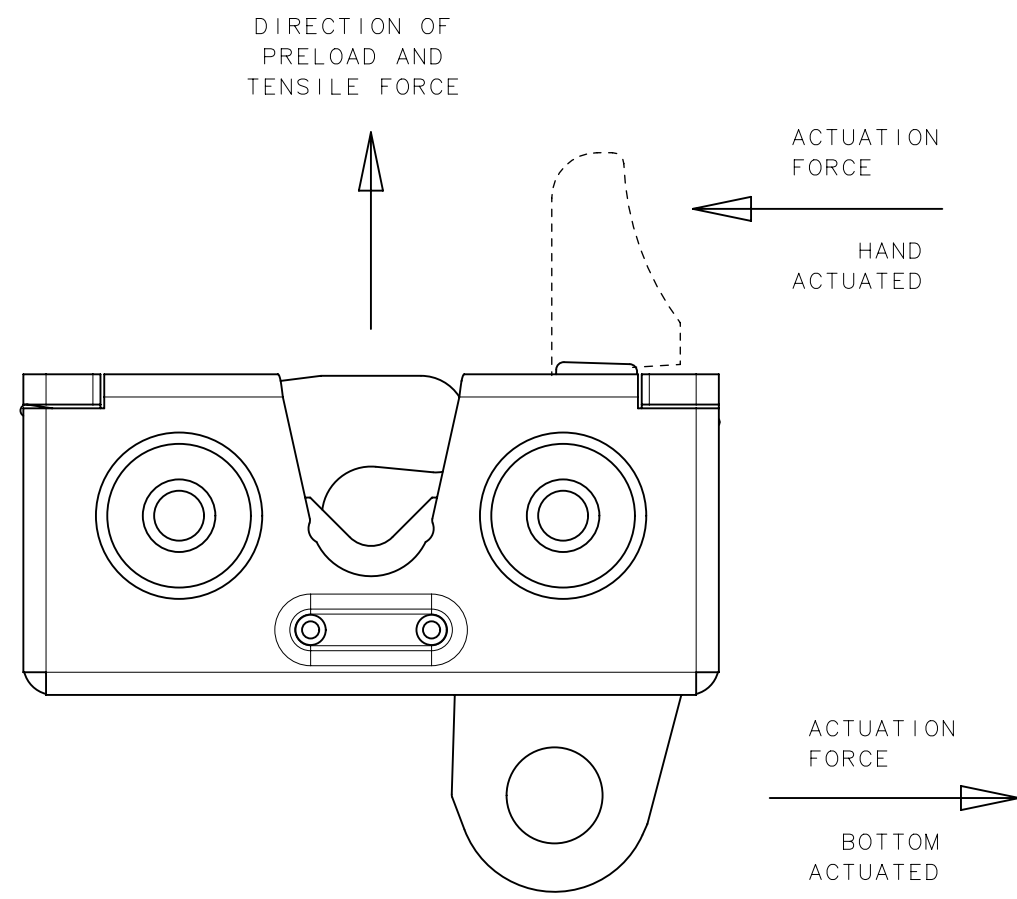
REVISION HISTORY			
REV	DATE	BY	DESCRIPTION
A	03NOV2016	JEM/MGG	PRN: P2016-2483



HAND ACTUATED
SCALE 1:1



BOTTOM ACTUATED
SCALE 1:1



TYPE OF LATCH	AVERAGE TENSILE LOAD PRIMARY POSITION	AVERAGE TENSILE LOAD SECONDARY POSITION	AVERAGE FORCE TO ACTUATE LATCH	CYCLE LIFE AT 50N GASKET FORCE
SINGLE STAGE	2600N	-	6-7N	20,000
TWO STAGE	2600N	2000N	6-7N	20,000

NOTES:

- ACTUATION FORCE TESTS AND CYCLE TESTS WERE PERFORMED WITH STRIKER AT NOMINAL LATERAL POSITION (ZERO MISALIGNMENT) USING PART NUMBERS:
R4-05-20-405-10, R4-05-20-505-10, R4-05-40-405-10, R4-05-40-505-10
- AVERAGE TENSILE FORCE BEFORE FRACTURE OR STRIKER PULL OUT, SEE TABLE.
- AVERAGE TENSILE FORCE BEFORE STRIKER R4-90-0521-10 FRACTURE, 1500N.
- SCREW MOUNTING TIGHTENING TORQUE, MAXIMUM 4Nm.

SOUTHCO PERFORMANCE GUIDELINES

THE PERFORMANCE GUIDELINES SHOWN ON THIS PAGE ARE SUPPLIED AS A GENERAL GUIDE ONLY, AS CONDITIONS VARY WITH EACH APPLICATION AND METHOD OF INSTALLATION. STRENGTH DATA GIVEN IS FOR FAILURE OF THE PRODUCT OR FOR SUFFICIENT DEFORMATION TO MAKE THE PRODUCT INOPERABLE. NO SAFETY FACTOR HAS BEEN APPLIED. IT IS RECOMMENDED THAT THE USER REQUEST A PRODUCT SAMPLE FOR TESTING TO DETERMINE THE SUITABILITY OF THE PRODUCT FOR THE PURPOSE INTENDED AND USER'S PARTICULAR APPLICATION.

REF : TEST trR4-24909

THIRD ANGLE PROJECTION		 CONNECT · CREATE · INNOVATE	
MILLIMETERS [IN]			
TOLERANCES UNLESS OTHERWISE NOTED		DESCRIPTION R4-05 TEST DATA SHEET	
SURFACE AREA 8655.25mm ²	ALL DIMENSIONS WITHOUT TOLERANCES ARE FOR REFERENCE ONLY.	SIZE A3	SYSTEM NX
VOLUME 6019.24mm ³		DWG NO. TD-R4-05-J	
PROPRIETARY ITEM <small>EXCEPT FOR USES EXPRESSLY GRANTED IN WRITING, INFORMATION DISCLOSED HEREON IS CONFIDENTIAL AND ALL RIGHTS, PATENT AND OTHERWISE, ARE RESERVED BY SOUTHCO, INC.</small>	PER ASME Y14.5M-1994	DRAWN BY JEM	DATE 30AUG2016
		SCALE 2:1	SHEET 1 OF 1