

**southco**

PROPRIETARY ITEM - EXCEPT FOR USES EXPRESSLY GRANTED IN WRITING INFORMATION DISCLOSED HEREON IS CONFIDENTIAL AND ALL RIGHTS PATENT AND OTHERWISE ARE RESERVED BY SOUTHCO, INC.

No. 12 WELD TYPE RECEPTACLE

DATE	DRAWN	CHKD	SCALE
09MAR60	DST	MRT	2:1

DRAWING NUMBER
J-12-11016

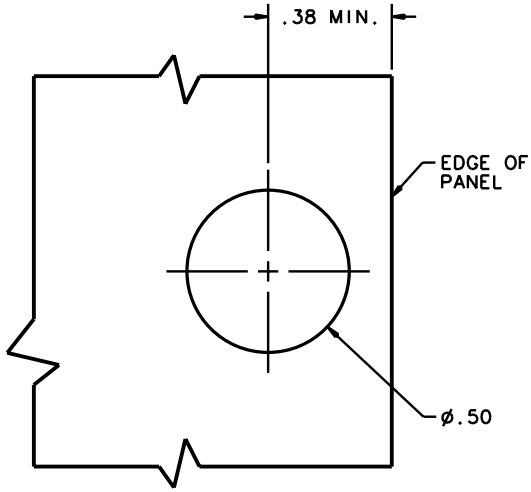
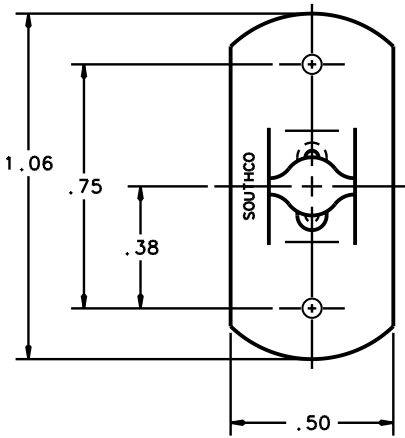
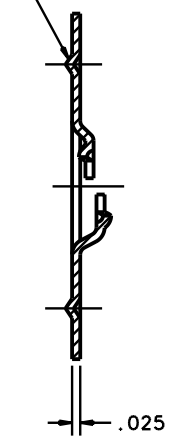
REV.	DATE	DRAWN	REVISION	PART NUMBER	MATERIAL	FINISH
R	12MAY2000	JCK	PRN: 12-271	12-11016-11	TYPE 302 STAINLESS STEEL	PASSIVATED
				12-11016-58	TYPE 302 STAINLESS STEEL	BLACK ORGANIC COATING

DIMENSIONS ARE IN INCHES  
DIMENSIONS WITHOUT TOLERANCES ARE FOR REFERENCE ONLY



  
 THIRD ANGLE PROJECTION      A4 PAPER SIZE

WELDING NIBS, 2 PLACES  
Ø.06 X .02 HIGH



PANEL PREPARATION