

6

5

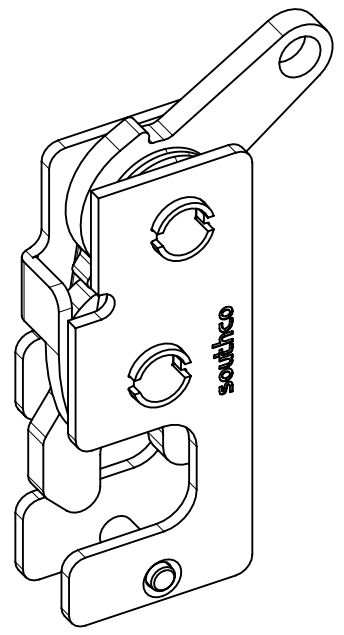
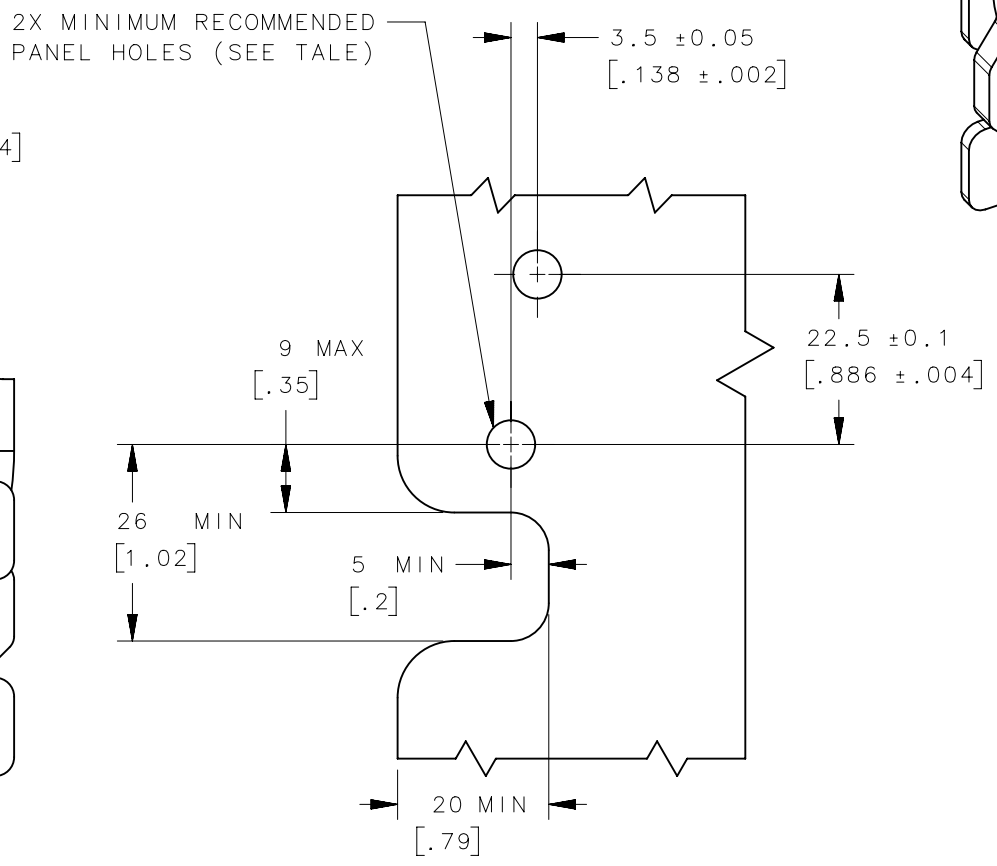
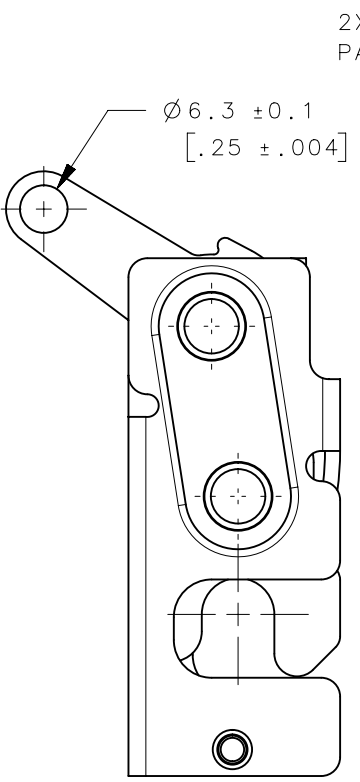
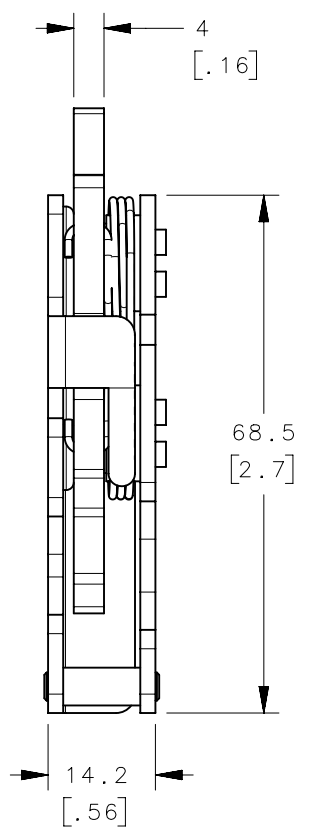
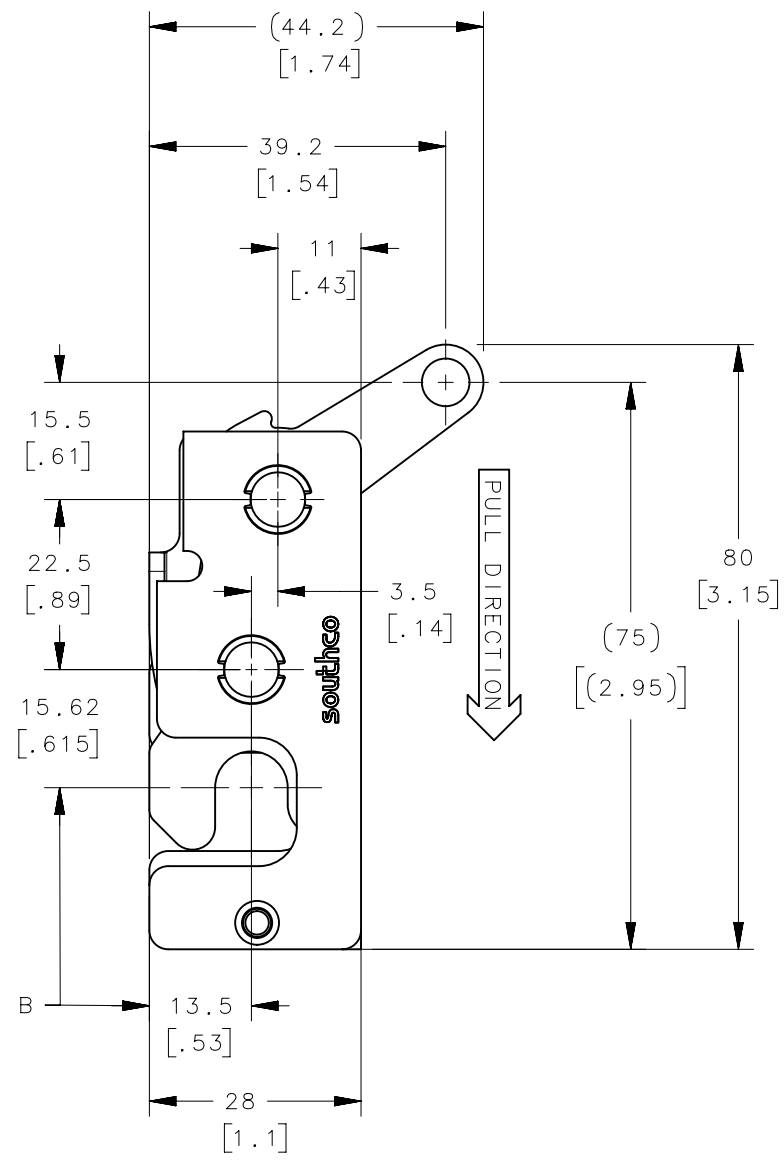
4

3

2

1

REVISION HISTORY			
REV	DATE	BY	DESCRIPTION
G	19AUG2016	ACH/DGJ	PRN: P2016-1876



SEE NOTE B

PANEL PREPERATION

- NOTES:
- A. MATERIAL AND FINISH:
- ALL PARTS STAINLESS STEEL,
 - B. THESE DIMENSIONS REQUIRED FOR MOUNTING STRIKER BOLT.
 - C. FOR LAYER PACKAGED OPTION WITHOUT INDIVIDUAL BAGS
ADD "-P" TO PART NUMBER. (Ex. R4-10-10-501-20-P)

ASSEMBLY PART NUMBER	LATCH MOUNTING HOLE	MINIMUM RECOMMENDED PANEL HOLE
R4-10-10-501-20	Ø 7.2mm THRU	Ø 7.6 [.299]
R4-10-11-501-20	1/4-20 THREAD	Ø 6.8 [.268]
R4-10-12-501-20	M6 THREAD	Ø 6.4 [.252]
R4-10-30-501-20	Ø 7.2mm THRU	Ø 7.6 [.299]
R4-10-31-501-20	1/4-20 THREAD	Ø 6.8 [.268]
R4-10-32-501-20	M6 THREAD	Ø 6.4 [.252]

THIRD ANGLE PROJECTION				
TOLERANCES UNLESS OTHERWISE NOTED		DESCRIPTION		
ALL DIMENSIONS WITHOUT TOLERANCES ARE FOR REFERENCE ONLY.		R4 STAINLESS STEEL MINI ROTARY LATCH WITH TRIGGER HOLE - RIGHT HAND		
PROPRIETARY ITEM	PER ASME Y14.5M-1994	SIZE	SYSTEM	DWG NO.
EXCEPT FOR USES EXPRESSLY GRANTED IN WRITING, INFORMATION DISCLOSED HEREON IS CONFIDENTIAL AND ALL RIGHTS, PATENT AND OTHERWISE, ARE RESERVED BY SOUTHCO, INC.	ACH/JCK	B	NX	J-R4-10-10-501-20
	DATE	SCALE	SHEET	
	10NOV2010	1:1	1 OF 3	

6

5

4

3

2

1

6

5

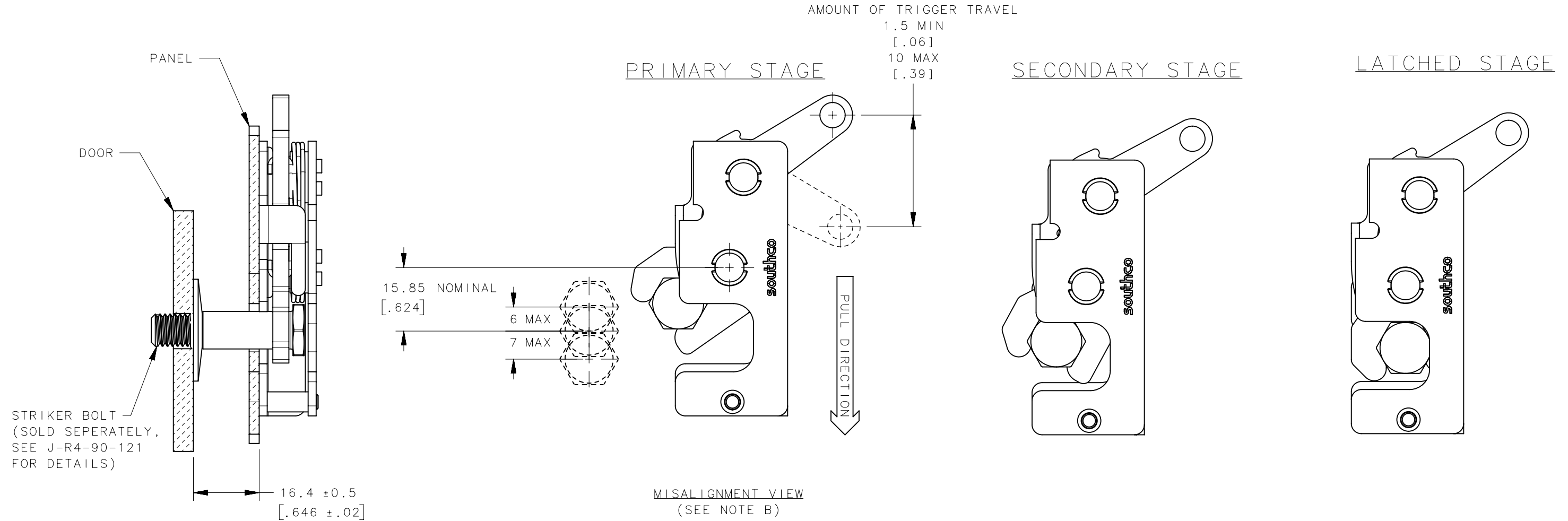
4

3

2

1

REVISION HISTORY			
REV	DATE	BY	DESCRIPTION
G	19AUG2016	ACH/DGJ	PRN: P2016-1876



- NOTES:
- A. THE TOLERANCE BETWEEN THE LATCH AND STRIKER BOLT ASSUMES A NON-RIGID DOOR INSTALLATION THAT WILL ALLOW THE DOOR TO MOVE INTO THE NOMINAL POSITION DURING LATCHING. RIGID DOORS MUST HAVE THE STRIKER INSTALLED PER THE PANEL PREPARATION RECOMMENDATION.
 - B. THE MISALIGNMENT VIEW ASSUMES THE LATCH IS CONNECTED TO A PERFECTLY RIGID DOOR AND HINGE; THEREFORE, THERE IS NO DOOR AND/OR HINGE SLACK ASSOCIATED WITH THESE DIMENSIONS. THE MISALIGNMENT VIEW DOES NOT TAKE FLEXING OF THE STRIKER BOLT INTO ACCOUNT.

THIRD ANGLE PROJECTION				southco [®] CONNECT • CREATE • INNOVATE		
TOLERANCES UNLESS OTHERWISE NOTED				DESCRIPTION		
ALL DIMENSIONS WITHOUT TOLERANCES ARE FOR REFERENCE ONLY.				R4 STAINLESS STEEL MINI ROTARY LATCH WITH TRIGGER HOLE - RIGHT HAND		
PROPRIETARY ITEM		SIZE	SYSTEM	DWG NO.		
EXCEPT FOR USES EXPRESSLY GRANTED IN WRITING, INFORMATION DISCLOSED HEREON IS CONFIDENTIAL AND ALL RIGHTS, PATENT AND OTHERWISE, ARE RESERVED BY SOUTHCO, INC.		B	NX	J-R4-10-10-501-20		
PER ASME Y14.5M-1994		DRAWN BY	DATE	SCALE	SHEET	
		ACH/JCK	10NOV2010	1:1	2 OF 3	

6

5

4

3

2

1

6

5

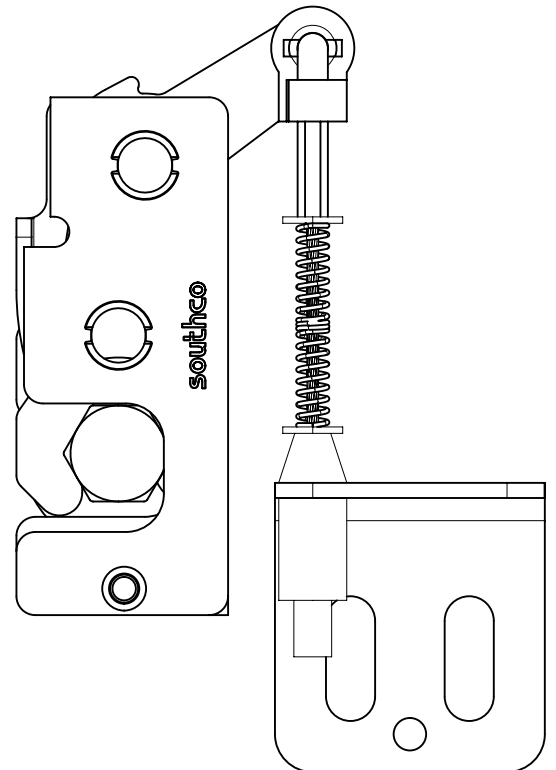
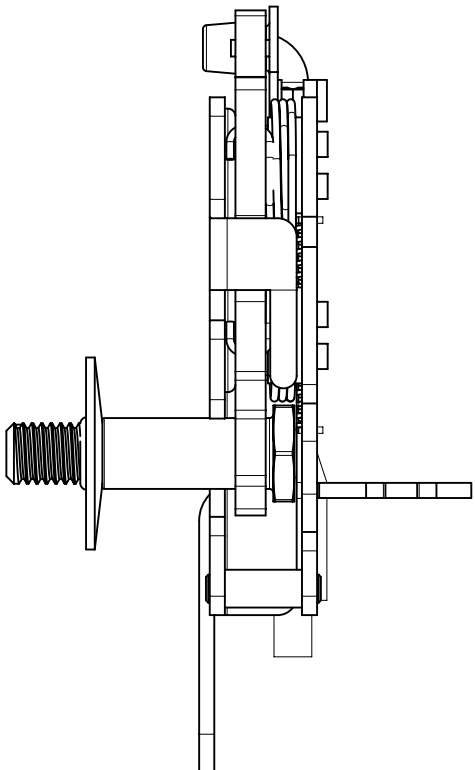
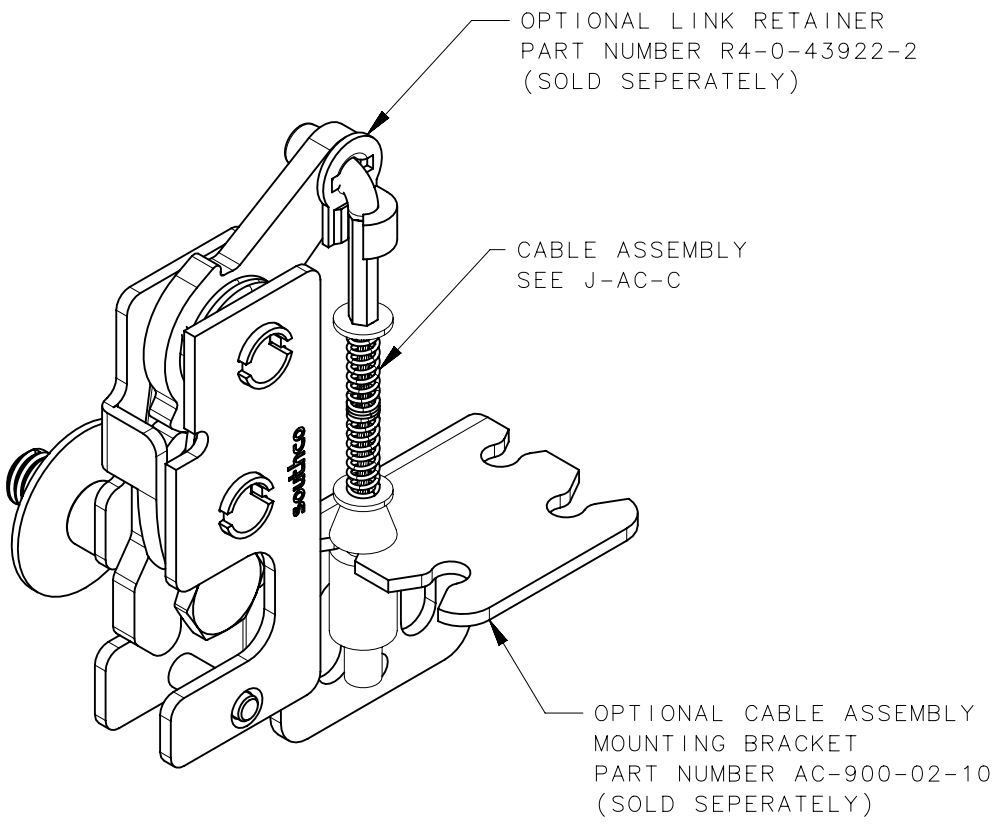
4

3

2

1

REVISION HISTORY			
REV	DATE	BY	DESCRIPTION
G	19AUG2016	ACH/DGJ	PRN: P2016-1876



THIRD ANGLE PROJECTION		southco [®] CONNECT • CREATE • INNOVATE	
MILLIMETERS [IN]			
TOLERANCES UNLESS OTHERWISE NOTED		DESCRIPTION R4 STAINLESS STEEL MINI ROTARY LATCH WITH TRIGGER HOLE - RIGHT HAND	
ALL DIMENSIONS WITHOUT TOLERANCES ARE FOR REFERENCE ONLY.		SIZE B	SYSTEM NX
PROPRIETARY ITEM <small>EXCEPT FOR USES EXPRESSLY GRANTED IN WRITING, INFORMATION DISCLOSED HEREON IS CONFIDENTIAL AND ALL RIGHTS, PATENT AND OTHERWISE, ARE RESERVED BY SOUTHCO, INC.</small>		DWG NO. J-R4-10-10-501-20	SCALE 1:1
PER ASME Y14.5M-1994		DRAWN BY ACH/JCK	DATE 10NOV2010
		SHEET 3 OF 3	

6

5

4

3

2

1