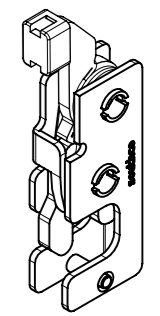
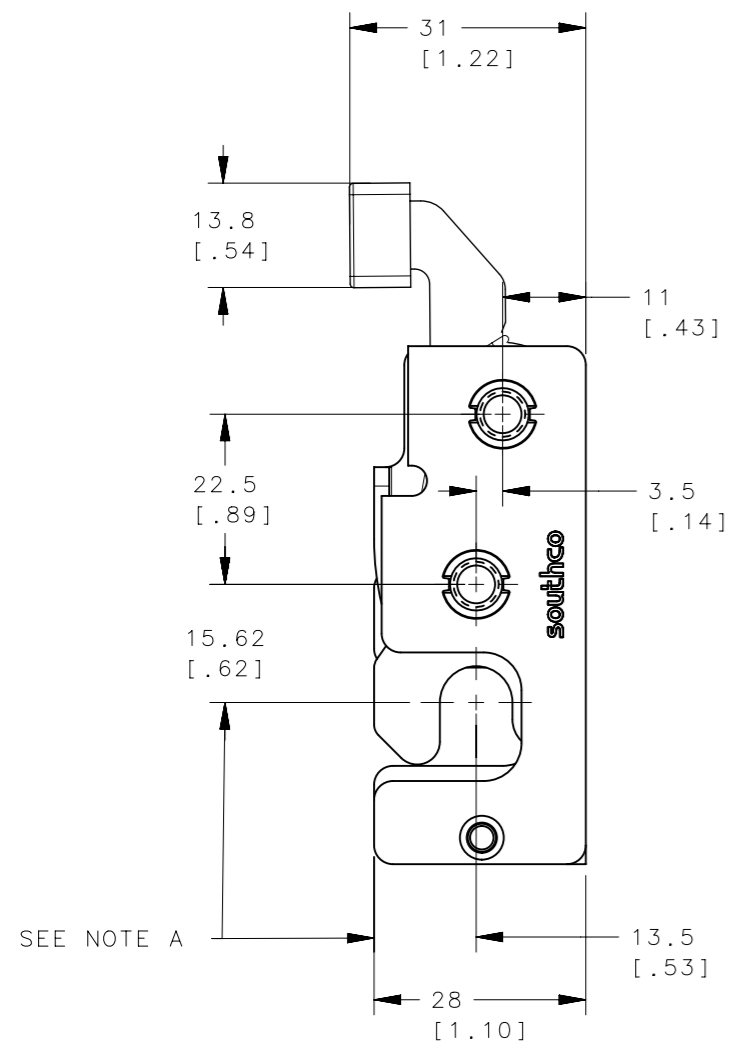


REVISION HISTORY			
REV	DATE	BY	DESCRIPTION
D	19FEB2018	RKS/VK	PRN: P2018-0325

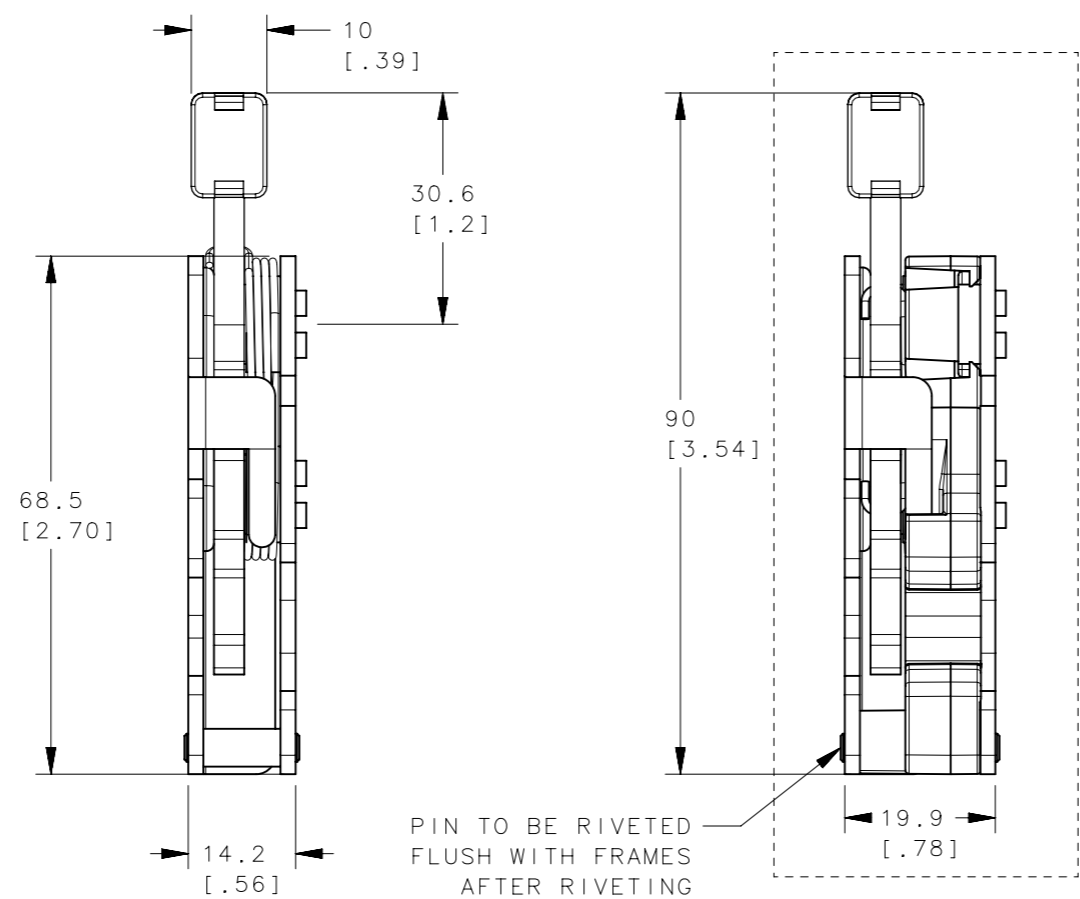


ISOMETRIC VIEW  
SCALE 1:2

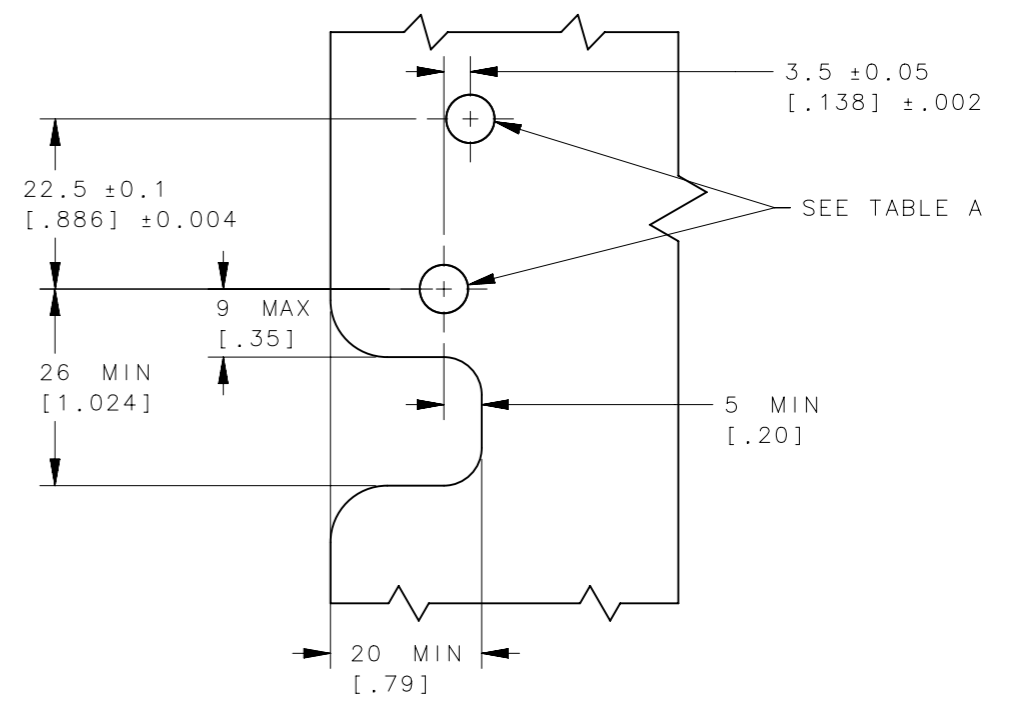
STANDARD (NO BUMPER)



INTEGRATED BUMPER



PANEL PREPARATION



ASSEMBLY PART NUMBER

R4-10-□□-90□-□□

STAGE & ACTUATION

- 1- SINGLE STAGE, RIGHT HAND
- 3- DUAL STAGE, RIGHT HAND

MOUNTING STYLE

- 0- Ø 7.2 THRU
- 1- 1/4-20 THREAD
- 2- M6x1 THREAD

BUMPER OPTION

- 1- STANDARD (WITHOUT BUMPER)
- 5- INTEGRATED BUMPER

MATERIAL

- 1- LOW CARBON STEEL
- 2- STAINLESS STEEL

NOTES:

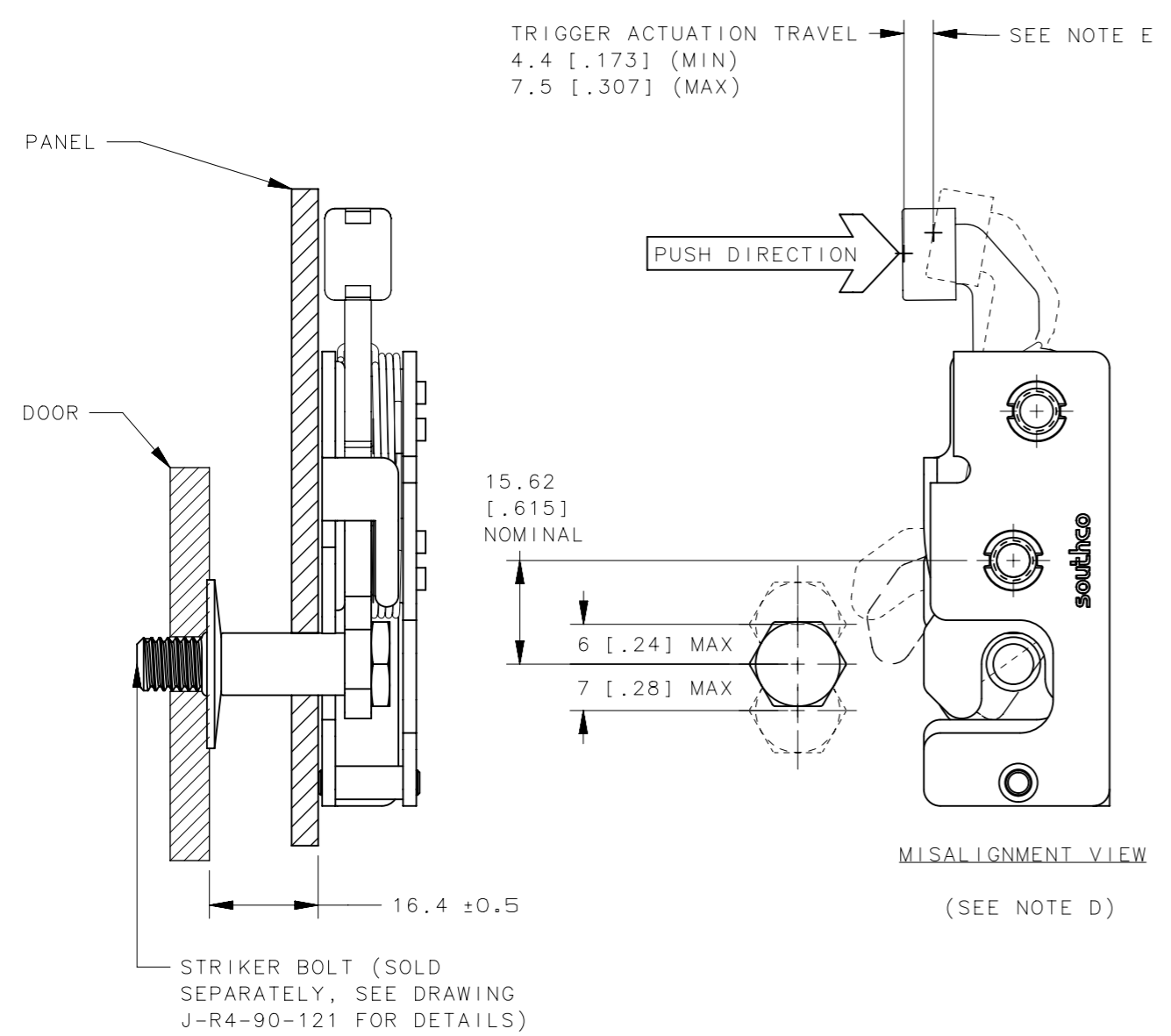
- A: THESE DIMENSIONS ARE REQUIRED FOR MOUNTING STRIKER BOLT.
- B: FINISH:  
LOW CARBON STEEL COMPONENTS: ZINC PLATE, BRIGHT CHROMATE.  
STAINLESS STEEL COMPONENTS: PASSIVATED.

TABLE A	
MOUNTING STYLE	MINIMUM RECOMMENDED PANEL HOLE
Ø 7.2 THRU	Ø 7.6 [.299]
1/4-20 THREAD	Ø 6.8 [.268]
M6x1 THREAD	Ø 6.4 [.252]

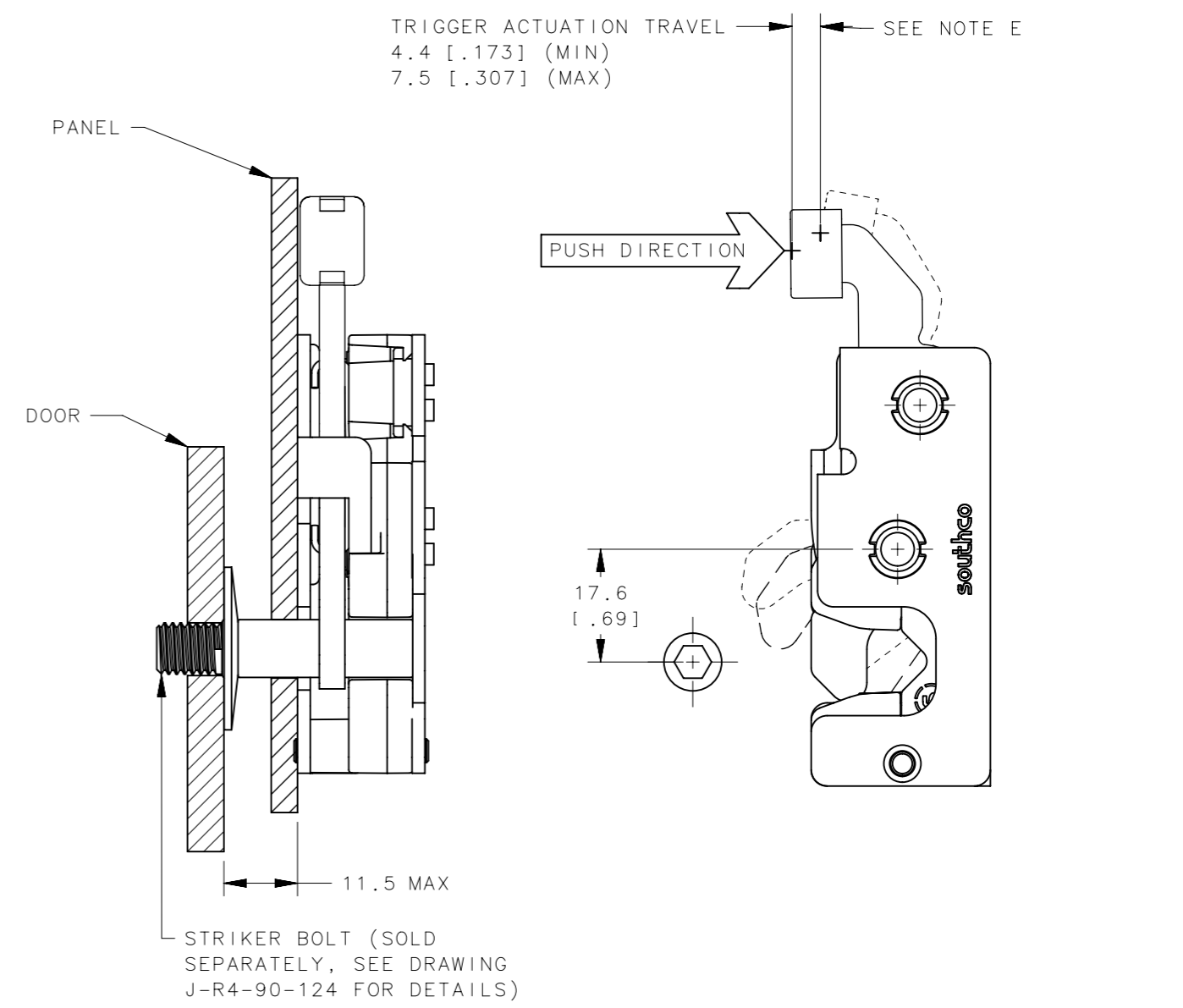
THIRD ANGLE PROJECTION				
MILLIMETERS [IN]	DESCRIPTION			R4-10 MINI ROTARY LATCH, DIRECT ACTUATION - RIGHT HAND
TOLERANCES UNLESS OTHERWISE NOTED	SIZE	SYSTEM	DWG NO.	
ALL DIMENSIONS WITHOUT TOLERANCES ARE FOR REFERENCE ONLY.	A3	NX	J-R4-10-9R	
	PER ASME Y14.5M-1994	DRAWN BY	DATE	
PROPRIETARY ITEM	CMG/DGJ	04AUG2015	SCALE 1:1	SHEET 1 OF 2
EXCEPT FOR USES EXPRESSLY GRANTED IN WRITING, INFORMATION DISCLOSED HEREON IS CONFIDENTIAL AND ALL RIGHTS, PATENT AND OTHERWISE, ARE RESERVED BY SOUTHCO, INC.				

REVISION HISTORY			
REV	DATE	BY	DESCRIPTION
D	19FEB2018	RKS/VK	PRN: P2018-0325

STANDARD (NO BUMPER)



INTEGRATED BUMPER



NOTES:

C: THE TOLERANCE BETWEEN THE LATCH AND STRIKER BOLT ASSUMES A NON RIGID DOOR INSTALLATION THAT WILL ALLOW THE DOOR TO MOVE INTO THE NOMINAL POSITION DURING LATCHING. RIGID DOORS MUST HAVE THE STRIKER INSTALLED PER THE PANEL PREPARATION RECOMMENDATION.

D: THE MISALIGNMENT VIEW ASSUMES THE LATCH IS CONNECTED TO A PERFECTLY RIGID DOOR AND HINGE; THEREFORE, THERE IS NO DOOR AND/OR HINGE SLACK ASSOCIATED WITH THESE DIMENSIONS. THE MISALIGNMENT VIEW DOES NOT TAKE FLEXING OF THE STRIKER BOLT INTO ACCOUNT.

E: ADD ADDITIONAL 2 MILLIMETERS ACTUATION TRAVEL IF RUBBER BOOT REMOVED

THIRD ANGLE PROJECTION				<b>southco</b> <sup>®</sup> CONNECT • CREATE • INNOVATE		
TOLERANCES UNLESS OTHERWISE NOTED		DESCRIPTION				
ALL DIMENSIONS WITHOUT TOLERANCES ARE FOR REFERENCE ONLY.		R4-10 MINI ROTARY LATCH, DIRECT ACTUATION - RIGHT HAND				
PROPRIETARY ITEM	PER ASME Y14.5M-1994	SIZE	SYSTEM	DWG NO.		
EXCEPT FOR USES EXPRESSLY GRANTED IN WRITING, INFORMATION DISCLOSED HEREON IS CONFIDENTIAL AND ALL RIGHTS, PATENT AND OTHERWISE, ARE RESERVED BY SOUTHCO, INC.		A3	NX	J-R4-10-9R		
		DRAWN BY	DATE	SCALE	SHEET	
		CMG/DGJ	04AUG2015	1:1	2 OF 2	