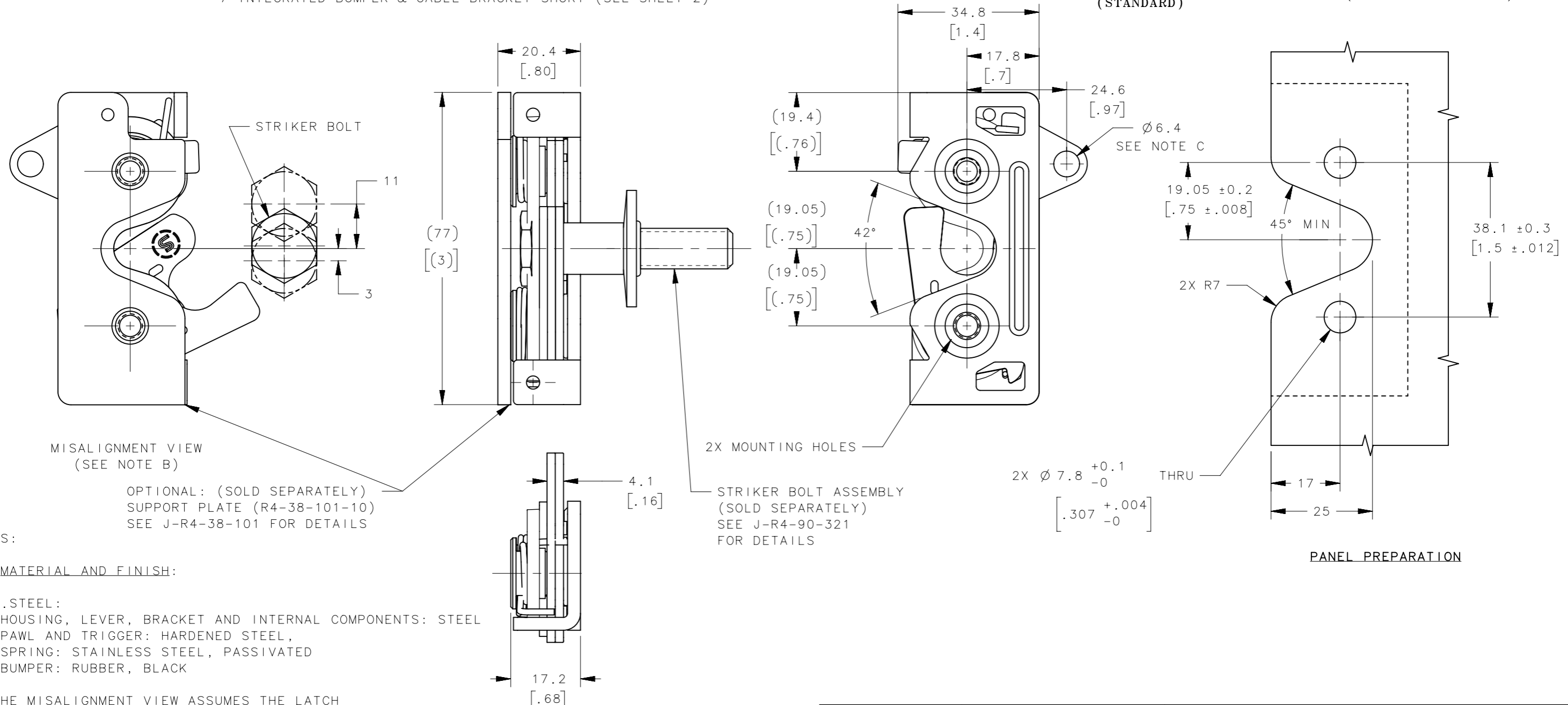
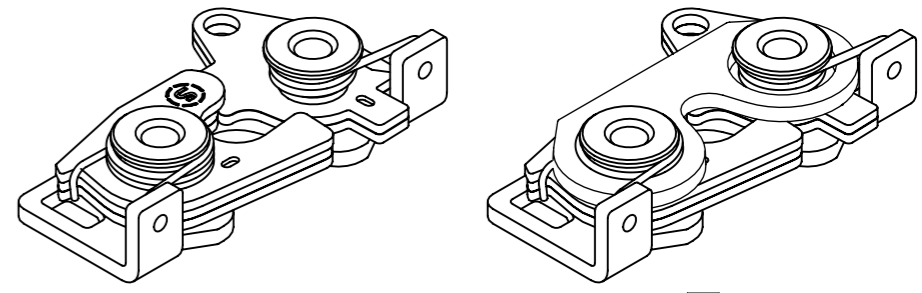


R4-30-4 I-50 B-M

REVISION HISTORY			
REV	DATE	BY	DESCRIPTION
J	02JUL2021	OAP/DMS	PRN: P2021-1312

- | | | |
|--------------------------|---|------------------------------------|
| I MOUNTING OPTION | B BASE STYLE | M MATERIAL |
| 0 6.7 mm THRU HOLE | 1 STANDARD | 10 STEEL, ZINC PLATED |
| 1 1/4-20 THREAD | 2 INTEGRATED CABLE BRACKET LONG (SEE SHEET 2) | 15 STEEL, BLACK ZINC NICKEL PLATED |
| 2 M6 THREAD | 3 INTEGRATED CABLE BRACKET SHORT (SEE SHEET 2) | 77 STEEL, ZINC NICKEL PLATED |
| | 5 INTEGRATED BUMPER | |
| | 6 INTEGRATED BUMPER & CABLE BRACKET LONG (SEE SHEET 2) | |
| | 7 INTEGRATED BUMPER & CABLE BRACKET SHORT (SEE SHEET 2) | |

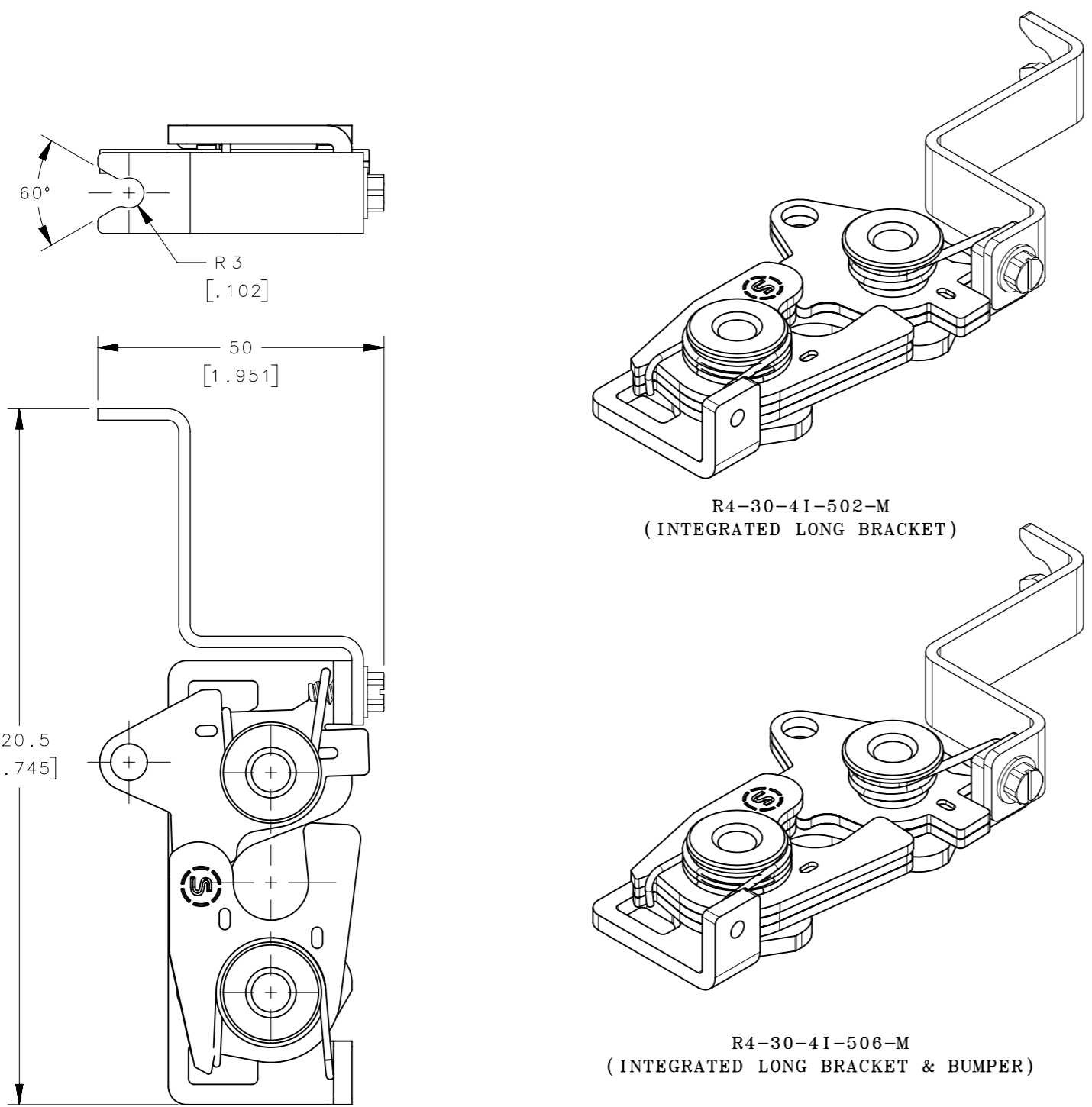


- NOTES:
- A. MATERIAL AND FINISH:
- 1. STEEL:
 - HOUSING, LEVER, BRACKET AND INTERNAL COMPONENTS: STEEL
 - PAWL AND TRIGGER: HARDENED STEEL,
 - SPRING: STAINLESS STEEL, PASSIVATED
 - BUMPER: RUBBER, BLACK
- B. THE MISALIGNMENT VIEW ASSUMES THE LATCH IS CONNECTED TO A PERFECTLY RIGID DOOR AND HINGE; THEREFORE, THERE IS NO DOOR AND/OR HINGE SLACK ASSOCIATED WITH THESE DIMENSIONS. THE MISALIGNMENT VIEW DOES NOT TAKE FLEXING OF THE STRIKER BOLT INTO ACCOUNT.
- C. FOR CABLE ACTUATION USE LINK RETAINER R4-0-43922-2

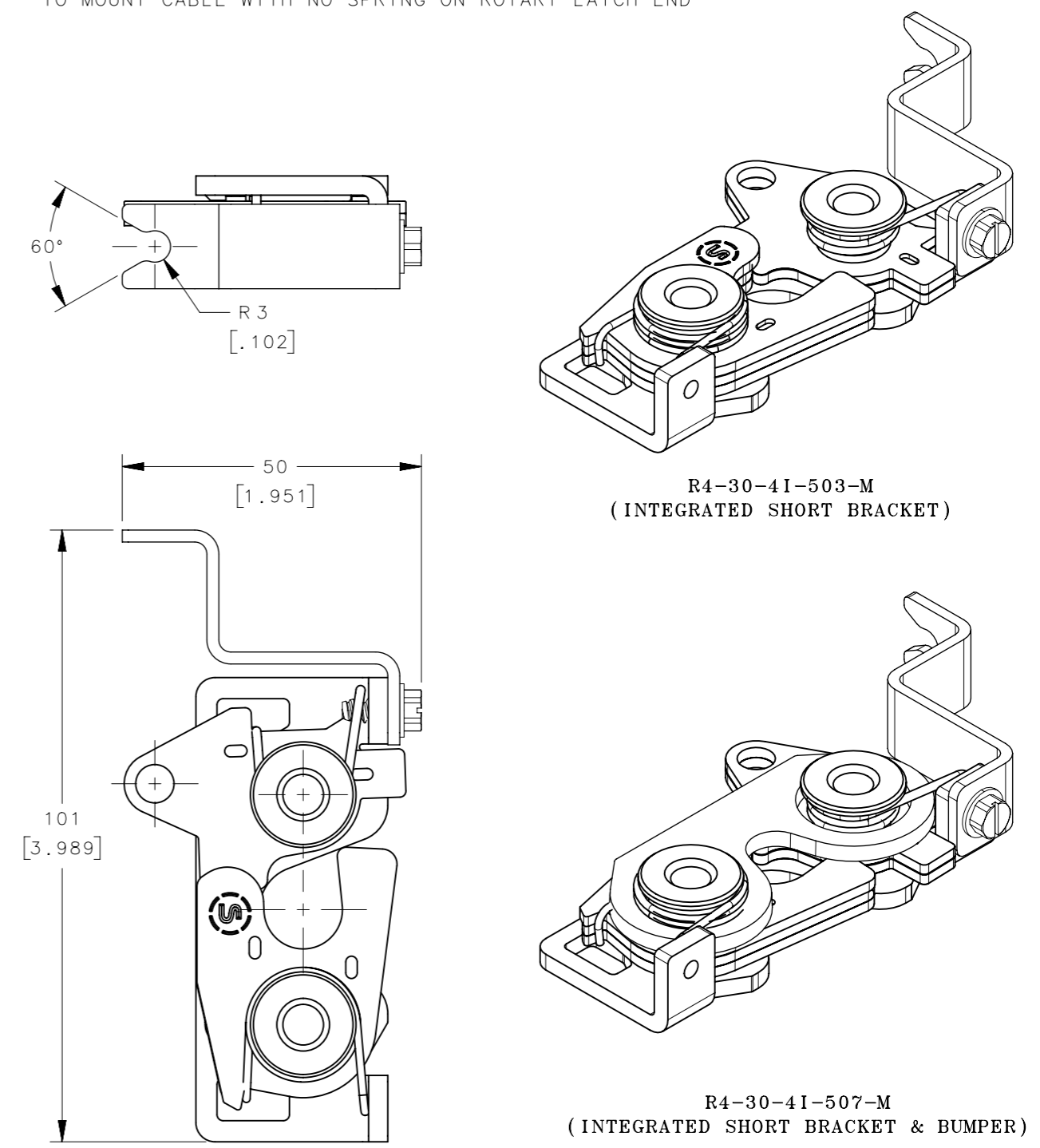
THIRD ANGLE PROJECTION			
MILLIMETERS [IN]			
TOLERANCES UNLESS OTHERWISE NOTED		DESCRIPTION	
ALL DIMENSIONS WITHOUT TOLERANCES ARE FOR REFERENCE ONLY.		R4 LATCH ASSEMBLY -BOTTOM PULLBACK LEFT HAND ACTUATION	
PER ASME Y14.5M-1994		SIZE A3	SYSTEM NX
DRAWN BY ACH/CMS		DATE 18JUN2013	DWG NO. J-R4-30-40-501
SCALE 1:1		SHEET 1 OF 2	

REVISION HISTORY			
REV	DATE	BY	DESCRIPTION
J	02JUL2021	OAP/DMS	PRN: P2021-1312

LONG BRACKET
TO MOUNT CABLE WITH SPRING ON ROTARY LATCH END



SHORT BRACKET
TO MOUNT CABLE WITH NO SPRING ON ROTARY LATCH END



CPB NUMBER	THIRD ANGLE PROJECTION		
	MILLIMETERS [IN]		
SURFACE AREA	TOLERANCES UNLESS OTHERWISE NOTED	DESCRIPTION	
VOLUME	ALL DIMENSIONS WITHOUT TOLERANCES ARE FOR REFERENCE ONLY.	R4 LATCH ASSEMBLY -BOTTOM PULLBACK LEFT HAND ACTUATION	
PROPRIETARY ITEM	PER ASME Y14.5M-1994	SIZE A3	SYSTEM NX
EXCEPT FOR USES EXPRESSLY GRANTED IN WRITING, INFORMATION DISCLOSED HEREON IS CONFIDENTIAL AND ALL RIGHTS, PATENT AND OTHERWISE, ARE RESERVED BY SOUTHCO, INC.		DWG NO. J-R4-30-40-501	
		DRAWN BY ACH/CMS	DATE 18JUNE2018
		SCALE 1:1	SHEET 2 OF 2