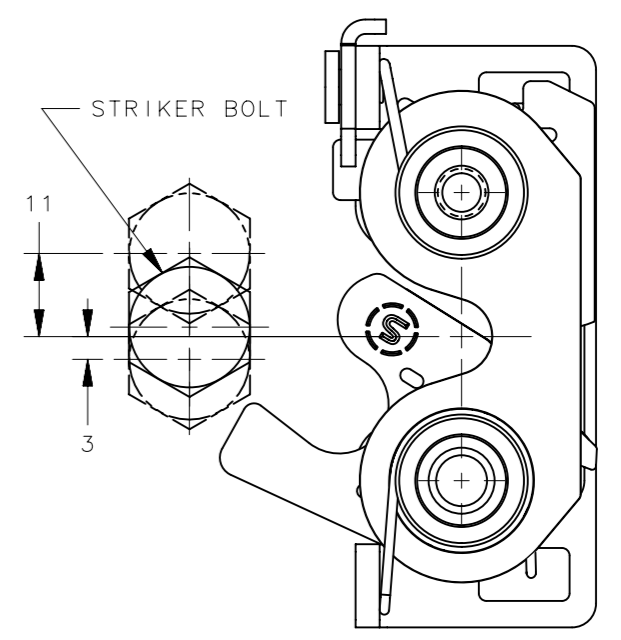
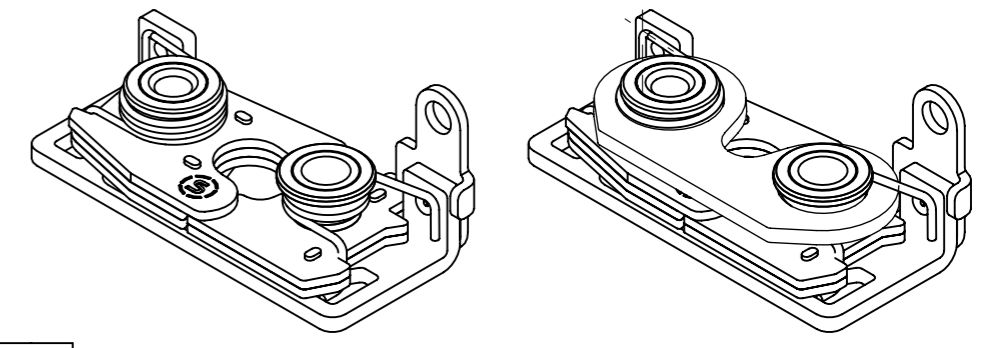
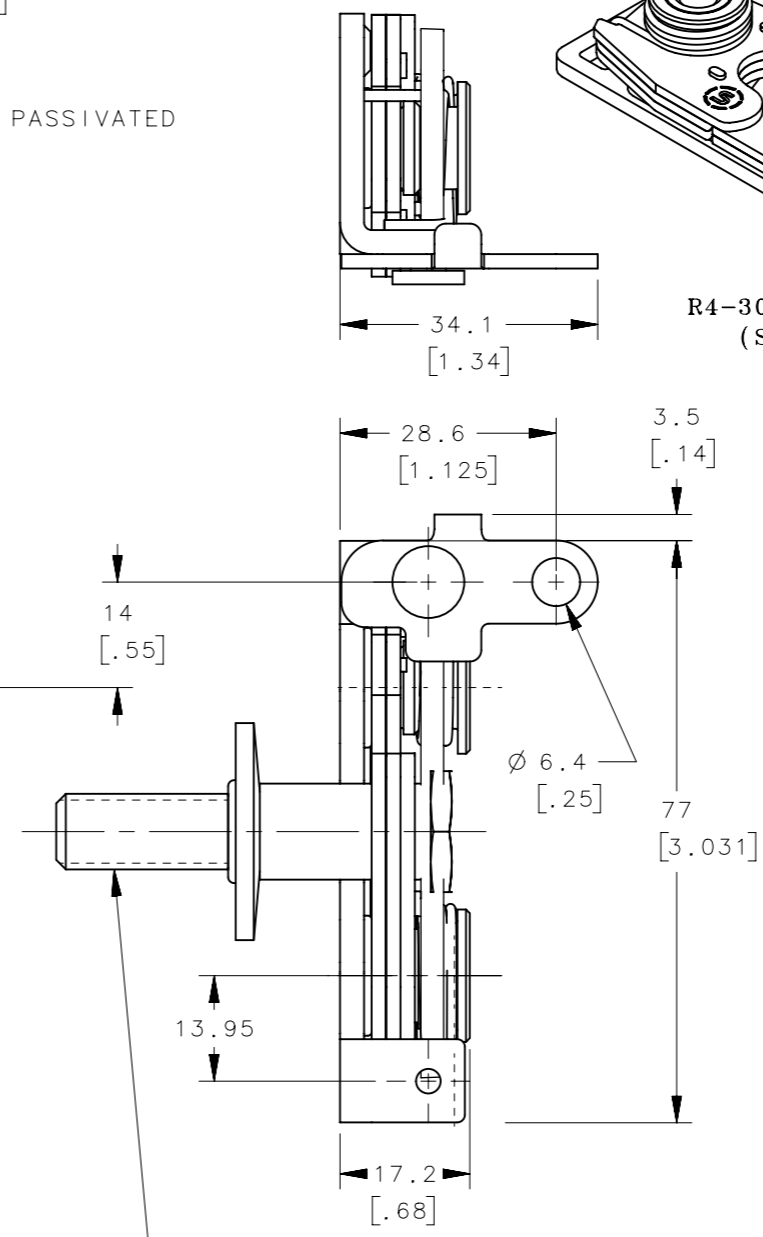
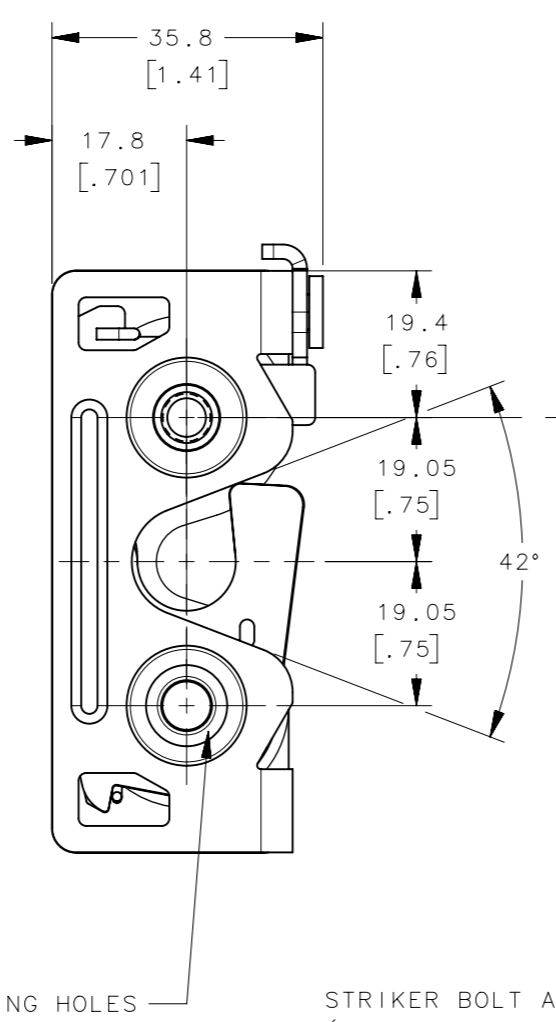
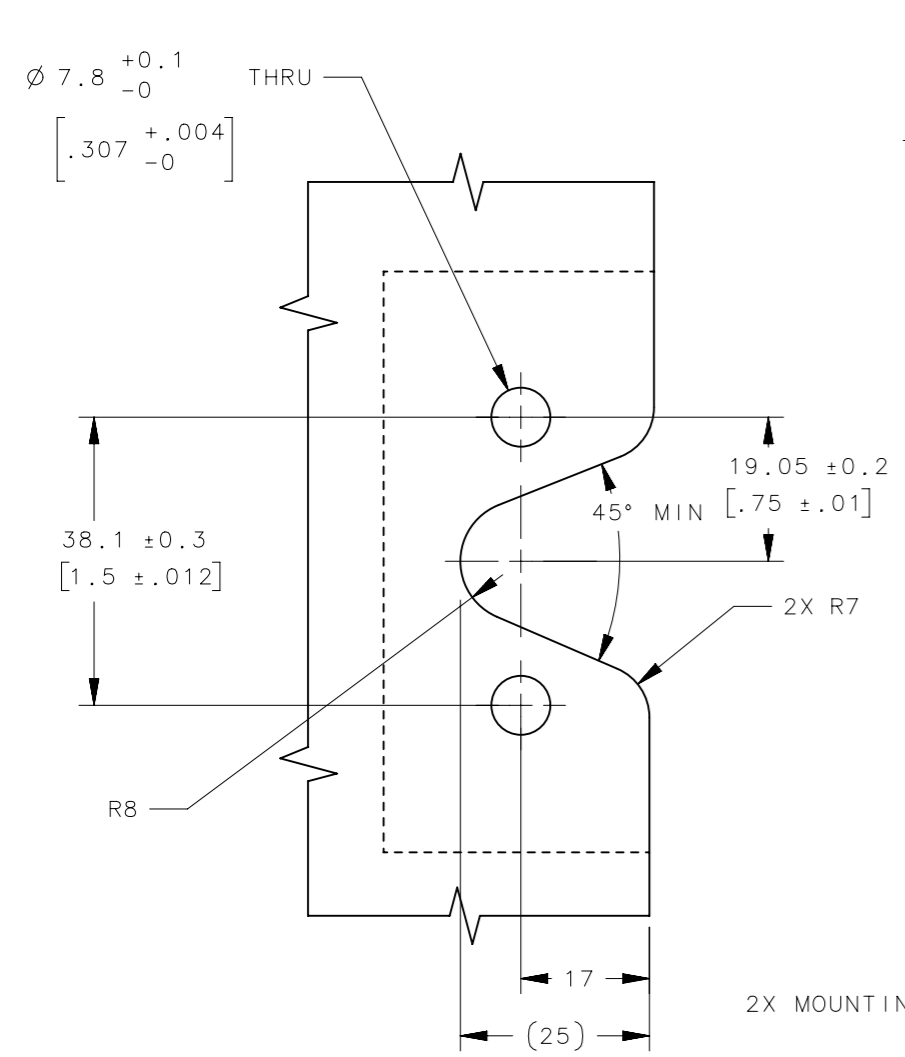


REVISION HISTORY			
REV	DATE	BY	DESCRIPTION
D	05APR2021	ABK/VK	PRN: P2021-0654

R4-30-3 I - 10 B - M

- I** MOUNTING OPTION
 - 0 6.7 mm THRU HOLE
 - 1 1/4-20 THREAD
 - 2 M6 THREAD
- B** LATCHING
 - 1 STANDARD
 - 5 INTEGRATED BUMPER
- M** MATERIAL
 - 20 STAINLESS STEEL, PASSIVATED



STRIKER BOLT ASSEMBLY
(SOLD SEPARATELY)
SEE J-R4-90-321
FOR DETAILS

MISALIGNMENT VIEW
(SEE NOTE B)

NOTES: **PANEL PREPARATION**

- A. MATERIAL AND FINISH:
- HOUSING, LEVER AND INTERNAL COMPONENTS: STAINLESS STEEL, PASSIVATED
 - PAWL AND TRIGGER: STAINLESS STEEL, PASSIVATED
 - SPRING: STAINLESS STEEL, PASSIVATED
- B. THE MISALIGNMENT VIEW ASSUMES THE LATCH IS CONNECTED TO A PERFECTLY RIGID DOOR AND HINGE; THEREFORE, THERE IS NO DOOR AND/OR HINGE SLACK ASSOCIATED WITH THESE DIMENSIONS, THE MISALIGNMENT VIEW DOES NOT TAKE FLEXING OF THE STRIKER BOLT INTO ACCOUNT.

THIRD ANGLE PROJECTION				southco [®] CONNECT • CREATE • INNOVATE	
MILLIMETERS [IN]					
TOLERANCES UNLESS OTHERWISE NOTED		DESCRIPTION R4 LATCH ASSEMBLY - PERPENDICULAR RIGHT HAND ACTUATION STAINLESS STEEL			
ALL DIMENSIONS WITHOUT TOLERANCES ARE FOR REFERENCE ONLY.		SIZE A3	SYSTEM NX	DWG NO. J-R4-30-30-101-20	
PER ASME Y14.5M-1994		DRAWN BY YK/ACH	DATE 14OCT2014	SCALE 1:1	SHEET 1 OF 1

PROPRIETARY ITEM
EXCEPT FOR USES EXPRESSLY GRANTED
IN WRITING, INFORMATION DISCLOSED
HEREON IS CONFIDENTIAL AND ALL
RIGHTS, PATENT AND OTHERWISE,
ARE RESERVED BY SOUTHCO, INC.