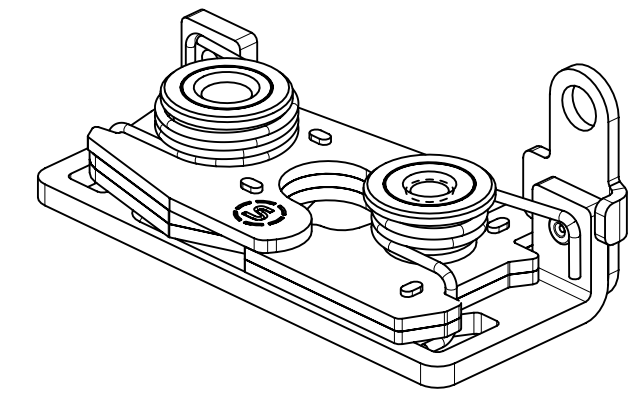
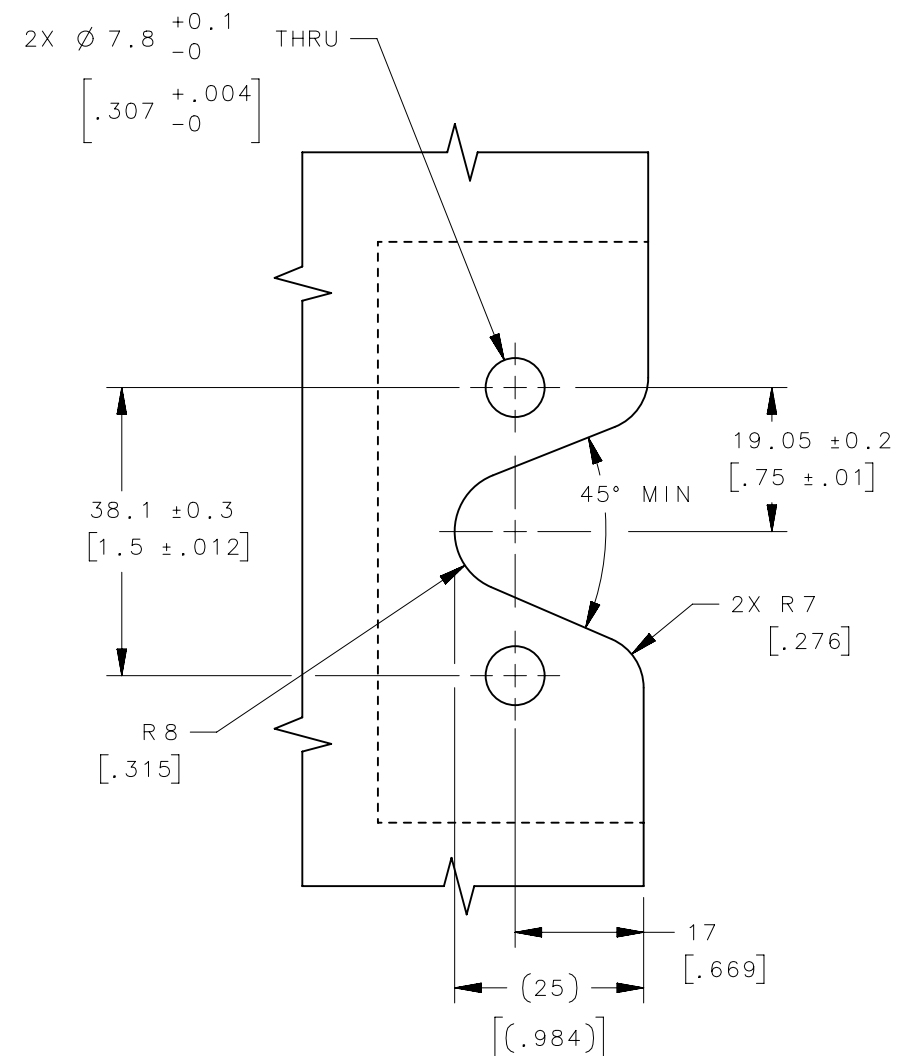


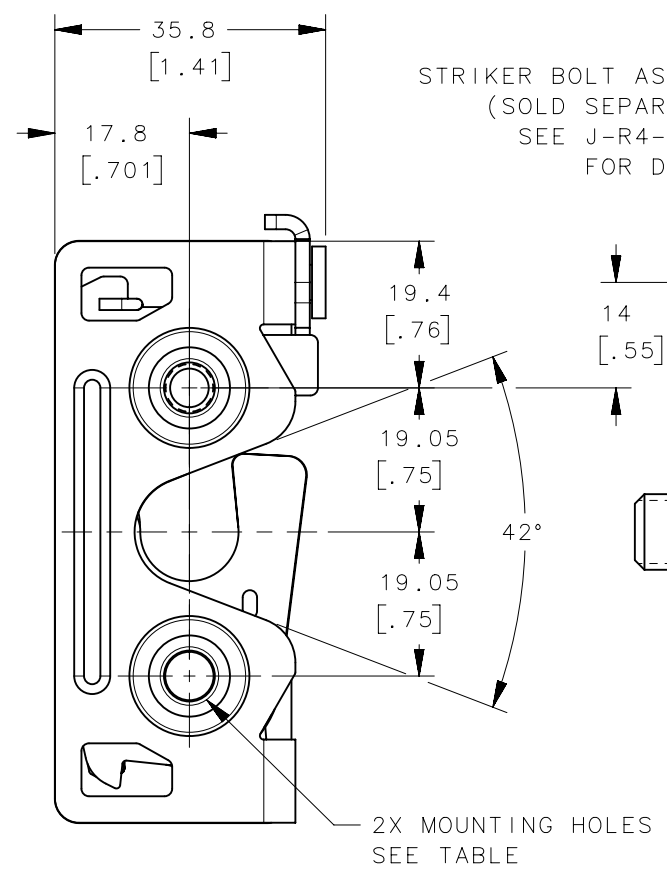
REVISION HISTORY			
REV	DATE	BY	DESCRIPTION
A	11DEC2019	RKS/VK	PRN: P2019-2988



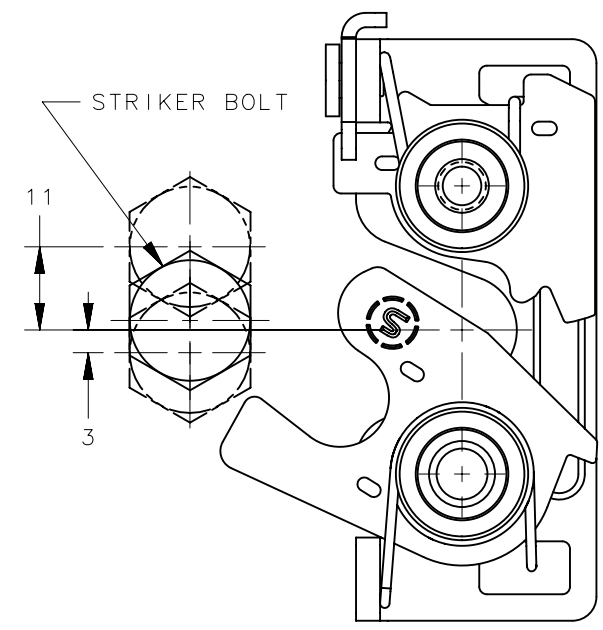
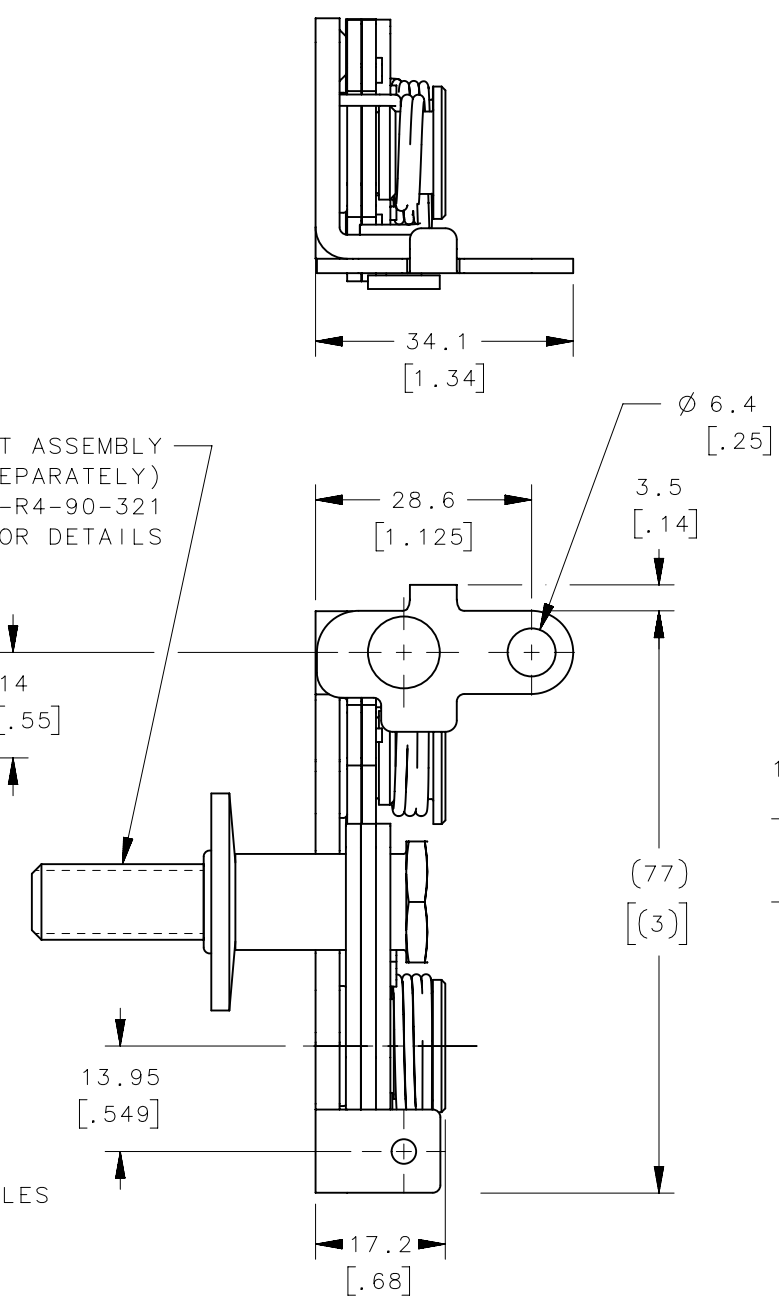
SCALE 1:1



PANEL PREPARATION



STRIKER BOLT ASSEMBLY
(SOLD SEPARATELY)
SEE J-R4-90-321
FOR DETAILS



MISALIGNMENT VIEW
(SEE NOTE 2)

NOTES:

- MATERIAL AND FINISH:
 A. HOUSING, LEVER AND INTERNAL COMPONENTS:
 STEEL, ZINC PLATED, BRIGHT CHROMATE
 B. PAWL AND TRIGGER: HARDENED STEEL, ZINC PLATED, BRIGHT CHROMATE
 C. SPRINGS: STAINLESS STEEL, PASSIVATED
- THE MISALIGNMENT VIEW ASSUMES THE LATCH IS CONNECTED TO A PERFECTLY RIGID DOOR AND HINGE; THEREFORE, THERE IS NO DOOR AND/OR HINGE SLACK ASSOCIATED WITH THESE DIMENSIONS, THE MISALIGNMENT VIEW DOES NOT TAKE FLEXING OF THE STRIKER BOLT INTO ACCOUNT.
- SAME AS R4-30-3X-101-20 EXCPET SINGLE STAGE.

R4-30-12-101-20	M6 THREAD	SEE NOTE 1	SEE NOTE 1
R4-30-11-101-20	1/4-20 THREAD	SEE NOTE 1	SEE NOTE 1
R4-30-10-101-20	$\varnothing 6.73$ THRU HOLE	SEE NOTE 1	SEE NOTE 1
PART NUMBER	LATCH MOUNTING HOLE	MATERIAL	FINISH

THIRD ANGLE PROJECTION		 CONNECT · CREATE · INNOVATE	
MILLIMETERS [IN]			
TOLERANCES UNLESS OTHERWISE NOTED	ALL DIMENSIONS WITHOUT TOLERANCES ARE FOR REFERENCE ONLY	DESCRIPTION	
PER ASME Y14.5M-1994		R4 LATCH ASSEMBLY - PERPENDICULAR RH, STEEL, SINGLE STAGE	
PROPRIETARY ITEM	SIZE	SYSTEM	DWG NO.
EXCEPT FOR USES EXPRESSLY GRANTED IN WRITING, INFORMATION DISCLOSED HEREON IS CONFIDENTIAL AND ALL RIGHTS, PATENT AND OTHERWISE, ARE RESERVED BY SOUTHCO, INC.	A3	NX	J-R4-30-10-101-20
	DRAWN BY	DATE	SCALE
	RKS/VK	11DEC2019	1:1
			SHEET 1 OF 1