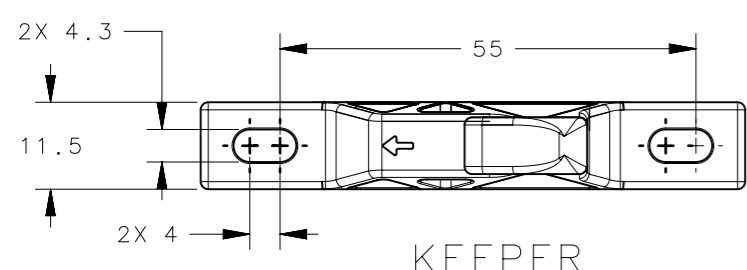
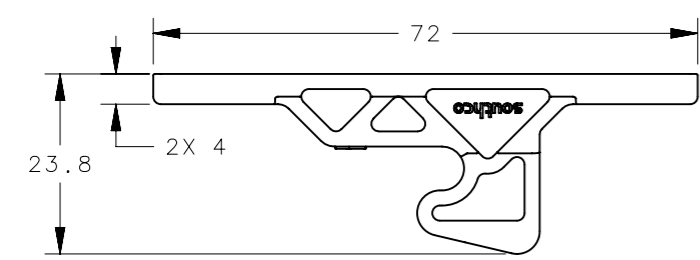
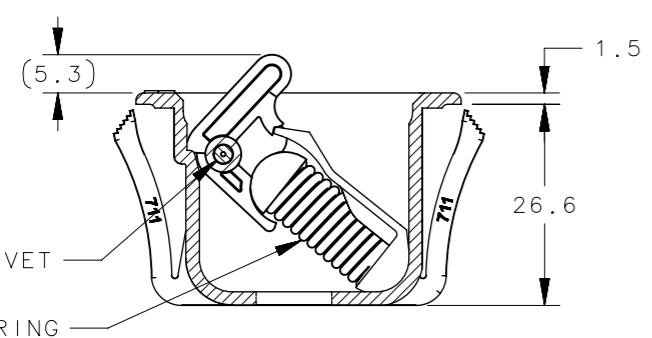
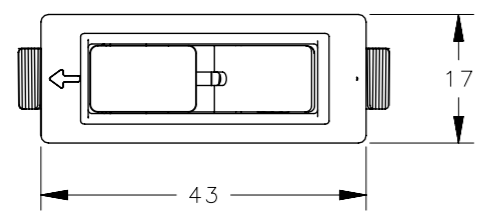


REVISION HISTORY			
REV	DATE	BY	DESCRIPTION
F	29APR2021	KSH/VK	PRN: P2021-0875



KEEPER

BE SURE THE ARROW ON THE KEEPER AND THE HOUSING ARE POINTING IN THE SAME DIRECTION DURING INSTALLATION



CATCH

NOTE:

1. THIS FEATURE IS TO ACCOMMODATE OPTIONAL ONE WAY INSTALLATION.

PACKAGING NOTE:

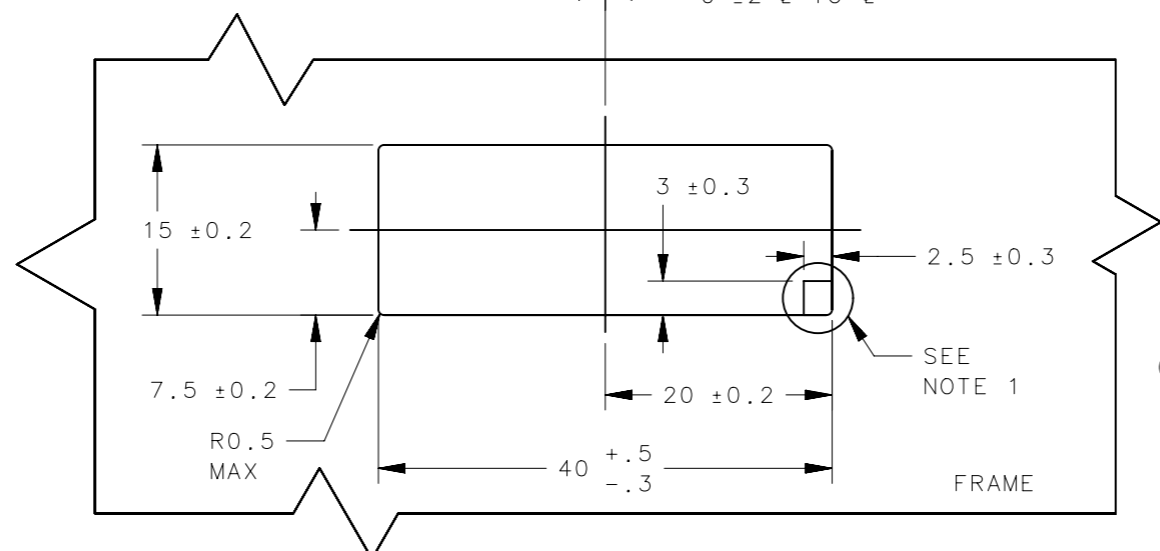
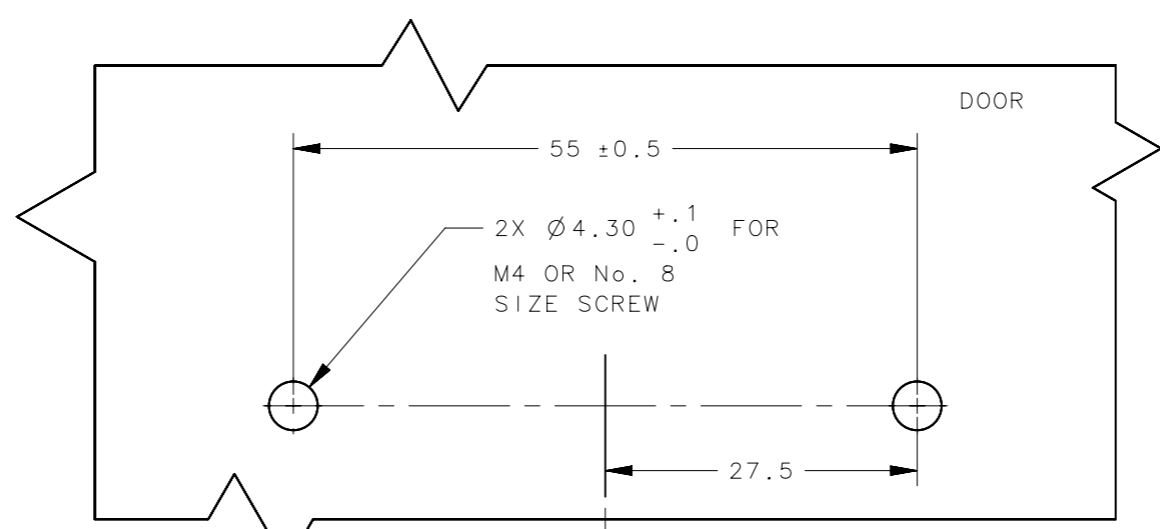
CATCH AND KEEPER SHIPPED SEPARATELY, BULK FOR CATCH AND KEEPER PACKAGED ONE PER BAG, ADD -P TO PART NUMBER. EXAMPLE: C3-303-2-P

INSTALLATION INSTRUCTIONS:

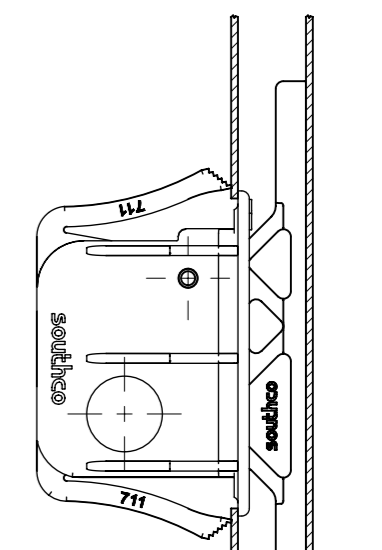
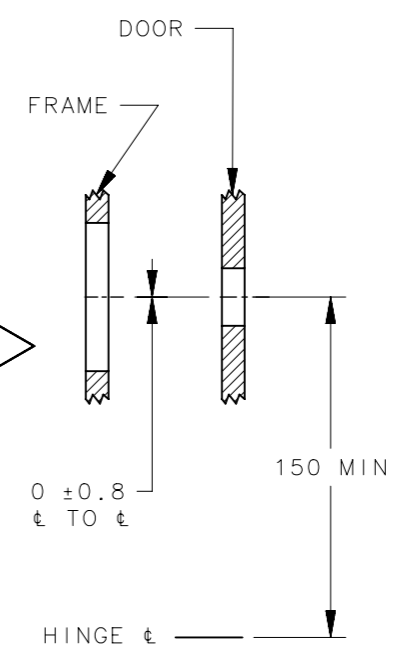
SNAP CATCH INTO FRAME. MOUNT KEEPER TO DOOR AND ADJUST FOR SMOOTH LATCHING.

MATERIAL AND FINISH:

RIVET: 5056 ALUMINUM, NATURAL.
 HOUSING: GLASS FILLED NYLON, BLACK OR WHITE
 SPRING: 302 STAINLESS STEEL (22N ASSY'S PASSIVATED 13N AND 44N ASSY'S PASSIVATED BLACK OXIDE)
 KEEPER: MINERAL FILLED NYLON, BLACK OR WHITE
 OTHER COMPONENTS: GLASS FIBER REINFORCED NYLON



PANEL PREPARATION



1.1 MIN
2.9 MAX
PANEL
THICKNESS
RANGE

55 MAX
ALLOWANCE
FOR MOUNTING
HARDWARE

SIDE VIEW LATCHED

CPB NUMBER	STANDARD	THIRD ANGLE PROJECTION	DESCRIPTION	
C3-310-2	ASSEMBLY	WHITE	44N	<p>southco[®] CONNECT • CREATE • INNOVATE</p> <p>C3 SNAP - IN GRABBER™ CATCH FOR PANELS 1.1 - 2.9mm THICK</p> <p>SIZE: A3 SYSTEM: NX DWG NO.: J-C3-3</p> <p>PER ASME Y14.5M-1994 DRAWN BY: LBZ DATE: 25JAN1994 SCALE: 1:1 SHEET: 1 OF 1</p>
C3-305-2	ASSEMBLY	WHITE	22N	
C3-303-2	ASSEMBLY	WHITE	13N	
C3-310	ASSEMBLY	BLACK	44N	
C3-305	ASSEMBLY	BLACK	22N	
C3-303	ASSEMBLY	BLACK	13N	
PART NUMBER	TYPE OF COMPONENT	FINISH	PULL - UP FORCE	
MILLIMETERS [IN]		TOLERANCES UNLESS OTHERWISE NOTED		
ALL DIMENSIONS WITHOUT TOLERANCES ARE FOR REFERENCE ONLY.		PROPRIETARY ITEM		
EXCEPT FOR USES EXPRESSLY GRANTED IN WRITING, INFORMATION DISCLOSED HEREON IS CONFIDENTIAL AND ALL RIGHTS, PATENT AND OTHERWISE, ARE RESERVED BY SOUTHCO, INC.				