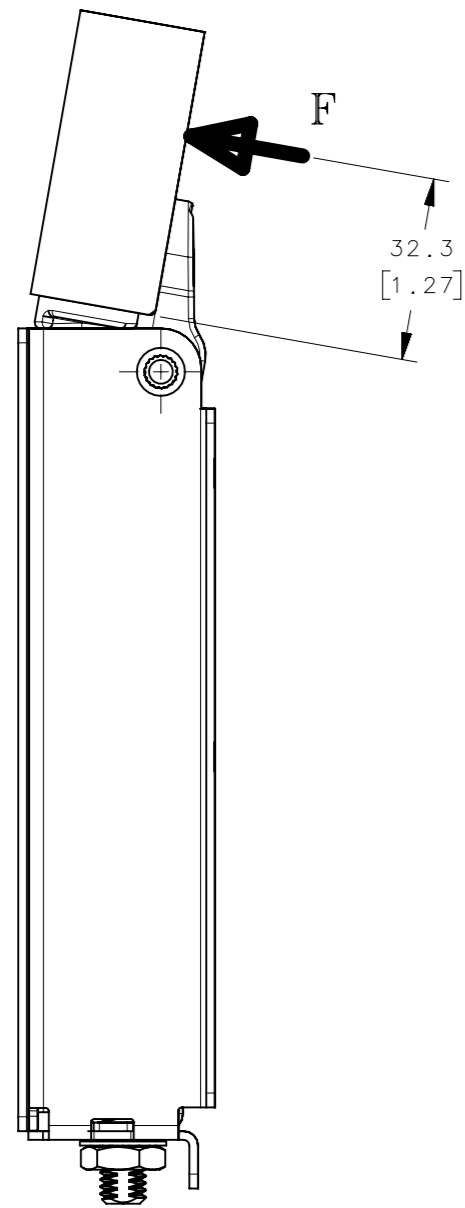
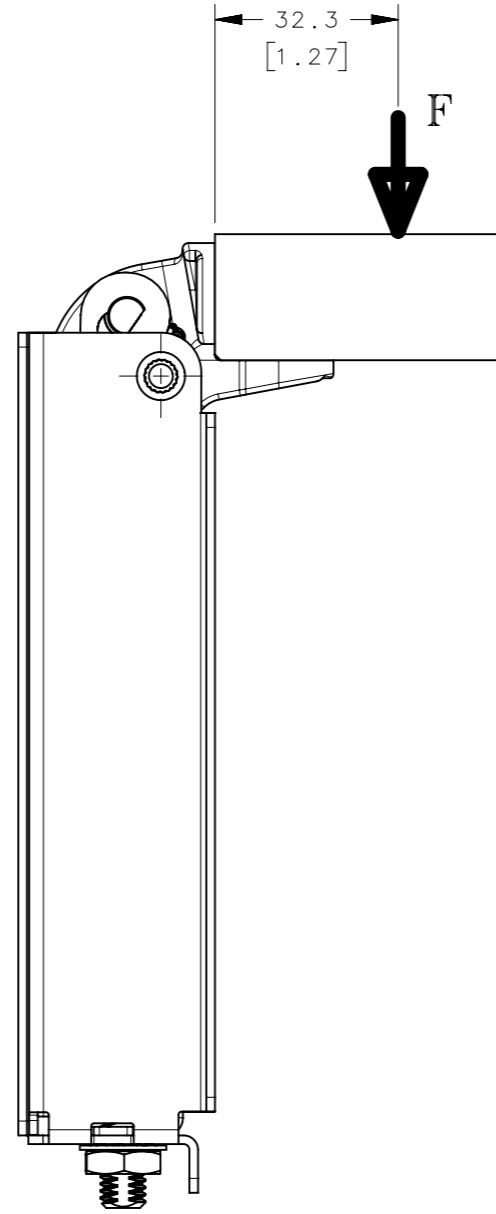


REVISION HISTORY			
REV	DATE	BY	DESCRIPTION
B	31MAR2017	CMS/LCR	PRN: P2017-0755

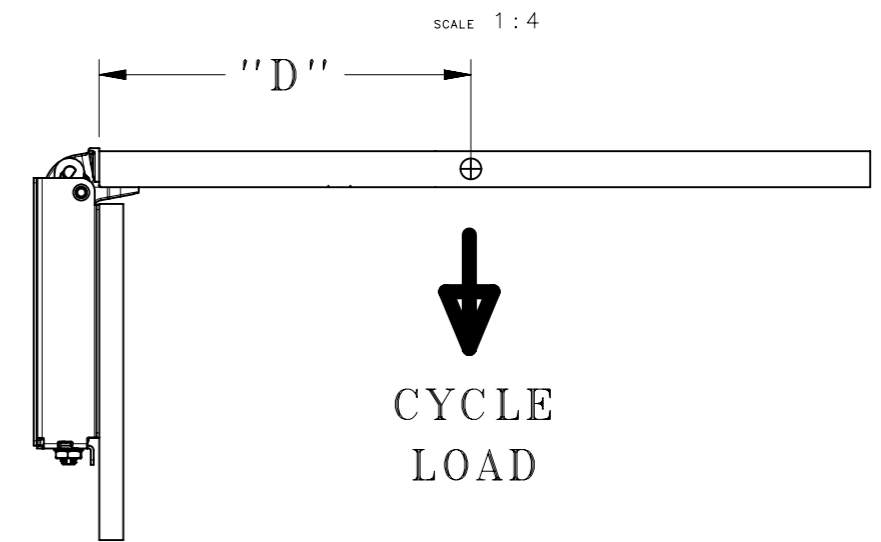
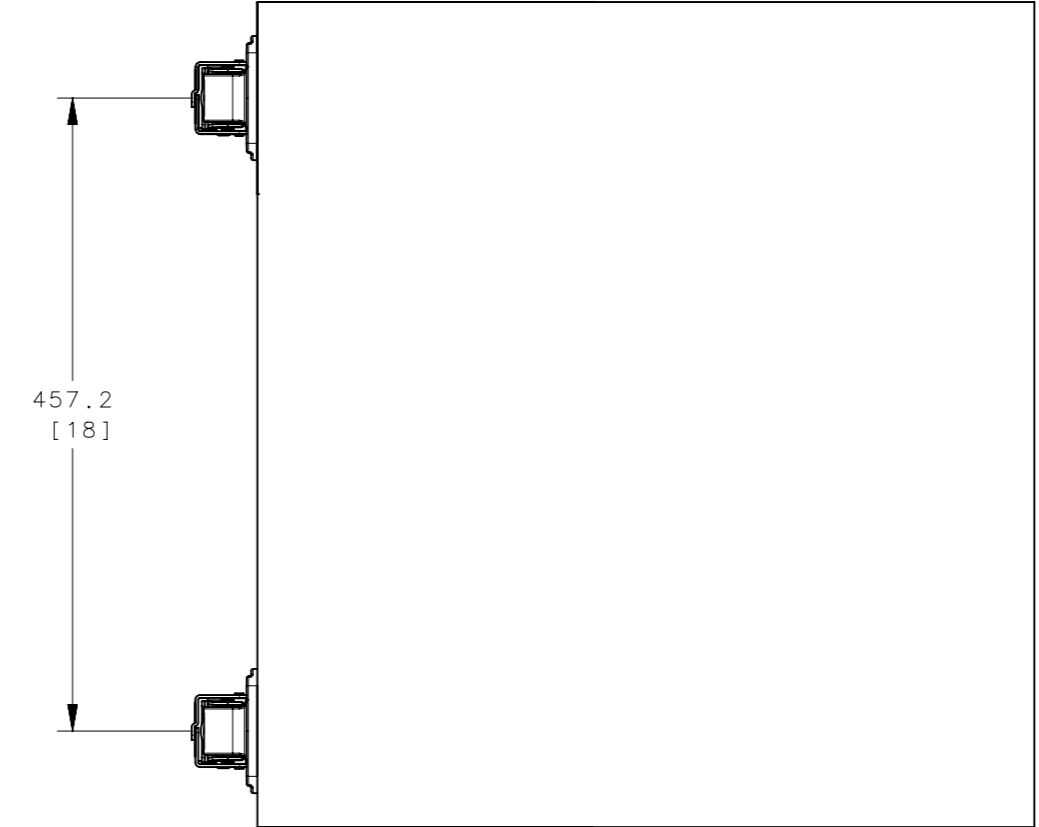
RADIAL LOAD OPEN DIRECTION



RADIAL LOAD CLOSED DIRECTION



CYCLE TEST SET-UP



SOUTHCO PERFORMANCE GUIDELINES:
 THE PERFORMANCE GUIDELINES SHOWN ON THIS PAGE ARE SUPPLIED AS A GENERAL GUIDE ONLY, AS CONDITIONS VARY WITH EACH APPLICATION AND METHOD OF INSTALLATION. STRENGTH DATA GIVEN IS FOR FAILURE OF THE PRODUCT OR FOR SUFFICIENT DEFORMATION TO MAKE THE PRODUCT INOPERABLE. NO SAFETY FACTOR HAS BEEN APPLIED. IT IS RECOMMENDED THAT THE USER REQUEST A PRODUCT SAMPLE FOR TESTING TO DETERMINE THE SUITABILITY OF THE PRODUCT FOR THE PURPOSE INTENDED AND USER'S PARTICULAR APPLICATION.

NOTES:
 A. HINGE INTENDED FOR USE IN THE ORIENTATION SHOWN ABOVE WHERE THE CLOSED POSITION 0° IS HORIZONTAL AND THE OPEN POSITION IS 80° MAXIMUM FROM HORIZONTAL.

REF: trCA-23350
 trCA-26040

PART NUMBERS	"D" mm[in] LID MOUNTING SURFACE TO CG DISTANCE	AVERAGE ULTIMATE RADIAL LOAD OPEN DIRECTION N[1b]	AVERAGE ULTIMATE RADIAL LOAD CLOSED DIRECTION N[1b]	CYCLE LIFE AT MAXIMUM WORKING TORQUE	THIRD ANGLE PROJECTION	DESCRIPTION
					MILLIMETERS [IN]	
CA-50-101-50	225.4 [8.88]	4400 [989]	1325 [298]	40,000	TOLERANCES UNLESS OTHERWISE NOTED	ALL DIMENSIONS WITHOUT TOLERANCES ARE FOR REFERENCE ONLY.
CA-50-102-50	309.6 [12.19]			40,000		
<small>PROPRIETARY ITEM EXCEPT FOR USES EXPRESSLY GRANTED IN WRITING, INFORMATION DISCLOSED HEREON IS CONFIDENTIAL AND ALL RIGHTS, PATENT AND OTHERWISE, ARE RESERVED BY SOUTHCO, INC.</small>					PER ASME Y14.5M-1994	SIZE A3 SYSTEM NX DWG NO. TD-CA-50-J DRAWN BY LCR DATE 14APR2016 SCALE 3:4 SHEET 1 OF 1