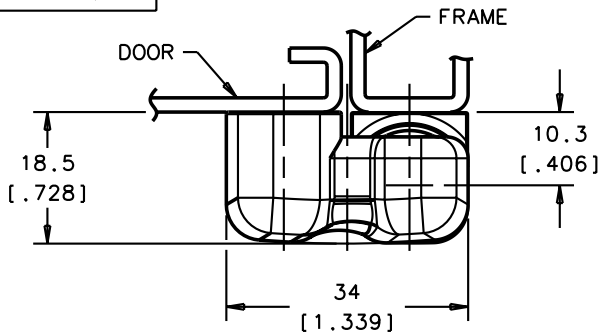


PROPRIETARY ITEM
EXCEPT FOR USES EXPRESSLY GRANTED
IN WRITING, INFORMATION DISCLOSED
HEREON IS CONFIDENTIAL AND ALL
RIGHTS, PATENT AND OTHERWISE,
ARE RESERVED BY SOUTHCO, INC.

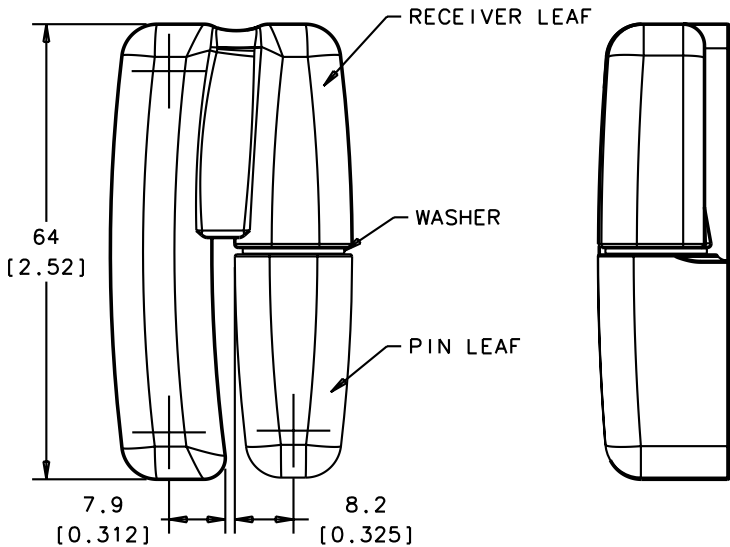
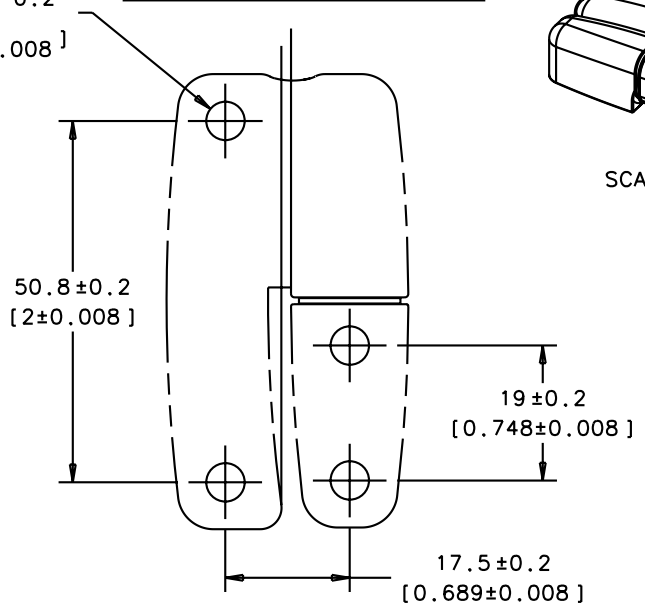
REVISION HISTORY

REV	DATE	DRAWN	CHECKED	DESCRIPTION
A	10JUN2008	DJK	RLR	PRN: P2008-0615



4X $\phi 5.4^{+0}_{-0.2}$
[0.213⁺⁰_{-0.008}]

PANEL PREPARATION



- NOTES:
- A. ATTACH HINGE WITH M5 X 0.8 SCREWS.
 - B. MAXIMUM SCREW LENGTH:
DOOR OR FRAME THICKNESS PLUS 10.16.
 - C. MATERIAL AND FINISH:
PIN AND RECEIVER LEAF- CF-8M STAINLESS STEEL
(NOMINAL CAST EQUIVALENT
OF 316 STAINLESS STEEL).

RECEIVER LEAF	-	SEE NOTE C	BRIGHT POLISH
WASHER	-	NYLON	-
PIN LEAF	-	SEE NOTE C	BRIGHT POLISH
PIN ASSEMBLY	-	-	-
ASSEMBLY	96-MA-8B-24	-	-
ITEM	PART NUMBER	MATERIAL	FINISH

THIRD ANGLE PROJECTION				<p>southco[®] CONNECT · CREATE · INNOVATE</p>	
ALL DIMENSIONS WITHOUT TOLERANCES ARE FOR REFERENCE ONLY.					
MILLIMETERS [IN]	SIZE A4	SYSTEM I-DEAS	DWG NO J-96-MA-8B		
	DRWN/CHKD VSA/VGV	DATE 10JUN2008	SCALE 1:1	SHEET 1 OF 1	