

southco

PROPRIETARY ITEM - EXCEPT FOR USES EXPRESSLY GRANTED IN WRITING INFORMATION DISCLOSED HEREON IS CONFIDENTIAL AND ALL RIGHTS PATENT AND OTHERWISE ARE RESERVED BY SOUTHCO, INC.

SOUTHCO No. 96 ADJUSTABLE LIFT-OFF HINGE - FRONT MOUNTED

DATE	DRAWN	CHKD	SCALE	DRAWING NUMBER
8-2-90	RHB		1:1	J-96-10-572

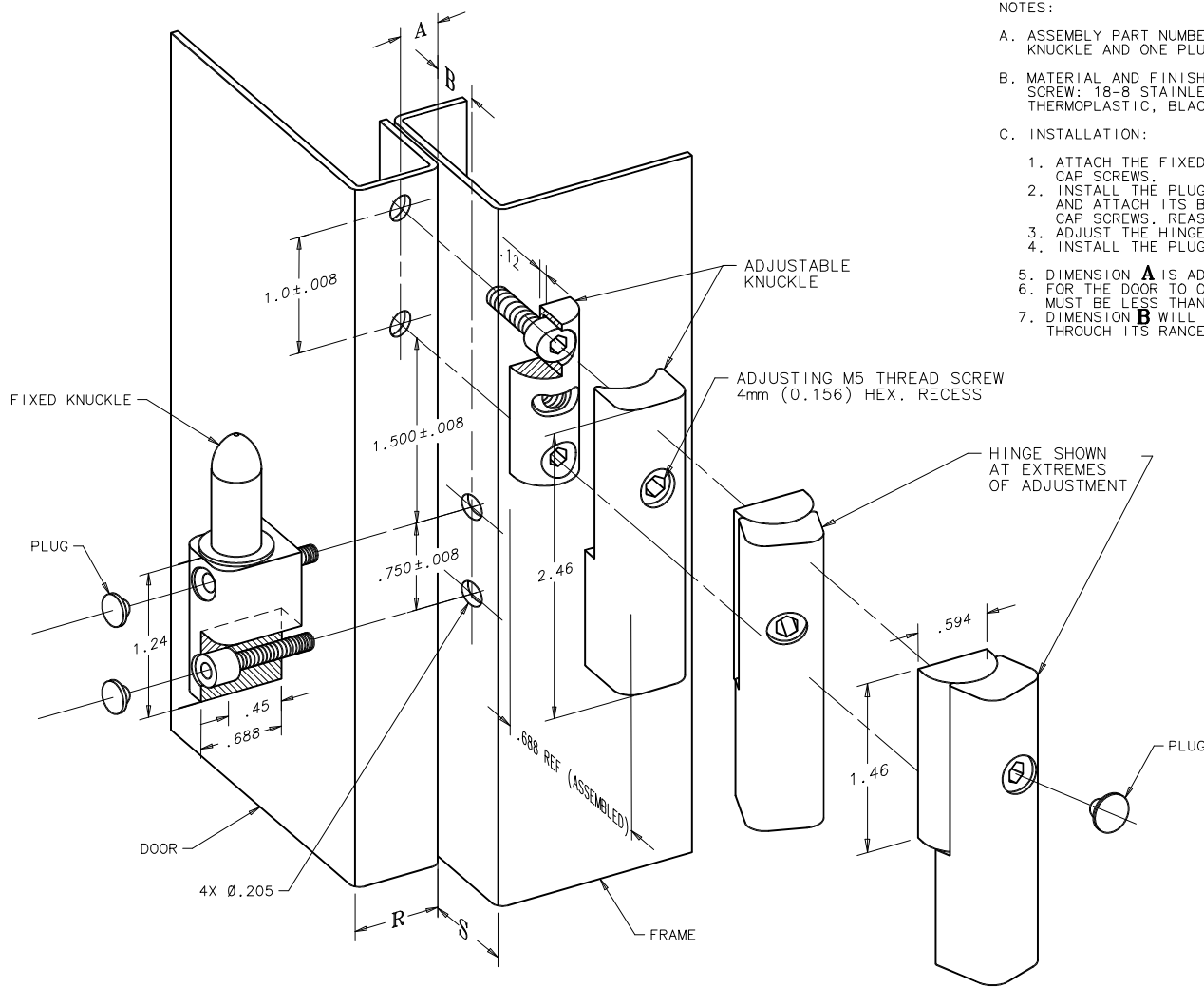
REV	DATE	DRAWN/CHKD	DESCRIPTION
A	09JAN1992	GWF	PRN: 96-44
B	06MAR1999	CHW	PRN: 96-104
C	14MAR2005	AAB/RLR	PRN: P2005-0460
D	18JUL2013	CMS/MSF	PRN: P2013-1391

INCHES

ALL DIMENSIONS WITHOUT TOLERANCES ARE FOR REFERENCE ONLY.

THIRD ANGLE PROJECTION

B PAPER SIZE



NOTES:

- A. ASSEMBLY PART NUMBER, CONSISTING OF ONE FIXED KNUCKLE, ONE ADJUSTABLE KNUCKLE AND ONE PLUG AS SHOWN: 96-10-572.
- B. MATERIAL AND FINISH: HINGES: DIE CAST ZINC, BLACK POLYESTER POWDER COATED; SCREW: 18-8 STAINLESS STEEL, BLACK OXIDE; NUT: DIE CAST ZINC. PLUG IS THERMOPLASTIC, BLACK.
- C. INSTALLATION:
 1. ATTACH THE FIXED KNUCKLE TO THE FRAME USING No.10 OR M5 SOCKET HEAD CAP SCREWS.
 2. INSTALL THE PLUGS IF DESIRED. DISASSEMBLE THE ADJUSTABLE KNUCKLE AND ATTACH ITS BASE PORTION TO THE DOOR USING No.10 OR M5 SOCKET HEAD CAP SCREWS. REASSEMBLE THE KNUCKLE.
 3. ADJUST THE HINGE FOR PROPER GASKET COMPRESSION.
 4. INSTALL THE PLUG IF DESIRED.
5. DIMENSION **A** IS ADJUSTABLE FROM .297 TO .499.
6. FOR THE DOOR TO OPEN A FULL 180°, EITHER DIMENSION **R** OR **S** DIMENSION MUST BE LESS THAN .782.
7. DIMENSION **B** WILL VARY BETWEEN .377 AND .391 AS DIMENSION **A** IS ADJUSTED THROUGH ITS RANGE. THE DOOR AND FRAME DESIGN MUST ALLOW FOR THIS VARIATION.