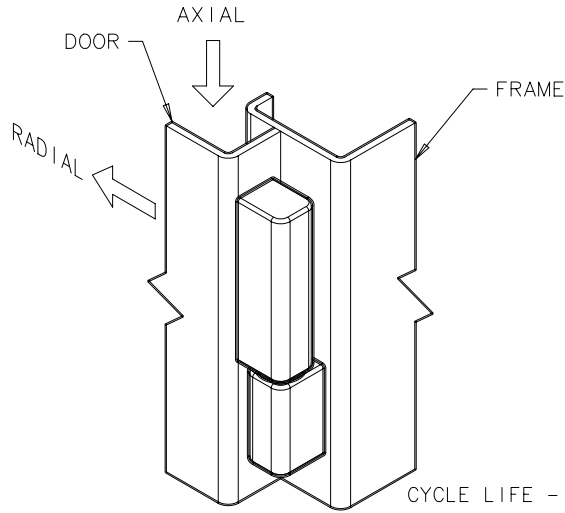


REV	DATE	DESCRIPTION	DRAWN/CHKD	DATE	DRAWN	CHKD	SCALE	DRAWING NUMBER
								TD-96-06-J
								A4 PAPER SIZE
								THIRD ANGLE PROJECTION
96 STAINLESS STEEL HINGE								
PROPRIETARY ITEM - EXCEPT FOR USES EXPRESSLY GRANTED IN WRITING INFORMATION DISCLOSED HEREON IS CONFIDENTIAL AND ALL RIGHTS PATENT AND OTHERWISE ARE RESERVED BY SOUTHCO, INC.								

SOUTHCO PERFORMANCE GUIDELINES  
 THE PERFORMANCE GUIDELINES SHOWN ON THIS PAGE ARE SUPPLIED AS A GENERAL GUIDE ONLY, AS CONDITIONS VARY WITH EACH APPLICATION AND METHOD OF INSTALLATION. STRENGTH DATA GIVEN IS FOR FAILURE OF THE PRODUCT OR FOR SUFFICIENT DEFORMATION TO MAKE PRODUCT INOPERABLE. NO SAFETY FACTOR HAS BEEN APPLIED IT IS RECOMMENDED THAT THE USER REQUEST A PRODUCT SAMPLE FOR TESTING TO DETERMINE THE SUITABILITY OF THE PRODUCT FOR THE PURPOSE INTENDED AND USER'S PARTICULAR APPLICATION.

PART NUMBER: 96- $\frac{1}{5}$ 0-5 $\frac{0}{8}$ 0-20



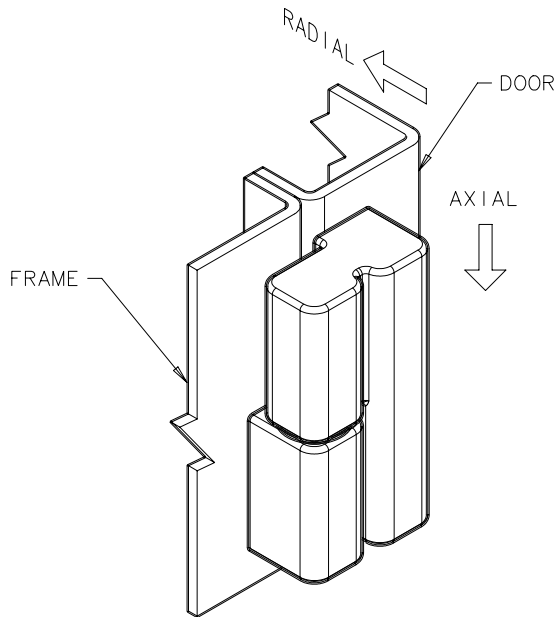
MAXIMUM RECOMMENDED STATIC LOAD

AXIAL: 5000 N (1120 lbs.)  
 RADIAL: 3000 N (670 lbs.)

CYCLE LIFE -

Hinges cycled to 10,000 cycles with a 200 N (45 lb. door). Test stopped at 10,000 cycles with no failures reported.

PART NUMBER: 96- $\frac{1}{5}$ 0-5 $\frac{1}{2}$ 0-20



MAXIMUM RECOMMENDED STATIC LOAD

AXIAL: 5000 N (1120 lbs.)  
 RADIAL: 3000 N (670 lbs.)

CYCLE LIFE -

Hinges cycled to 10,000 cycles with a 200 N (45 lb. door). Test stopped at 10,000 cycles with no failures reported.

① MAXIMUM RECOMMENDED STATIC LOAD is the load that can be applied to the hinge while stationary without any loss of performance.

REF: 96-36

**southco**