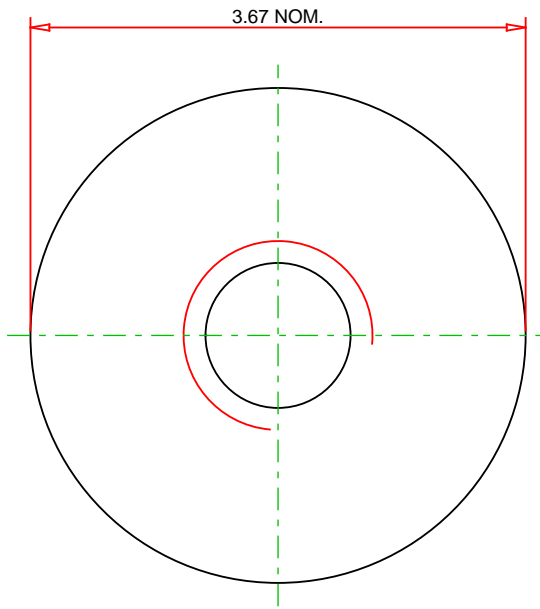
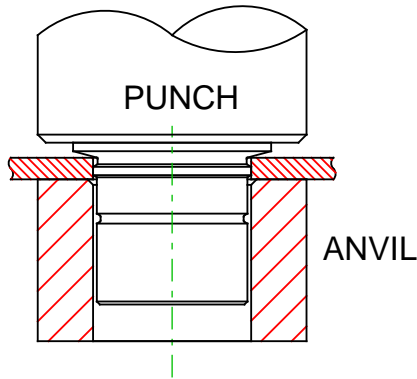
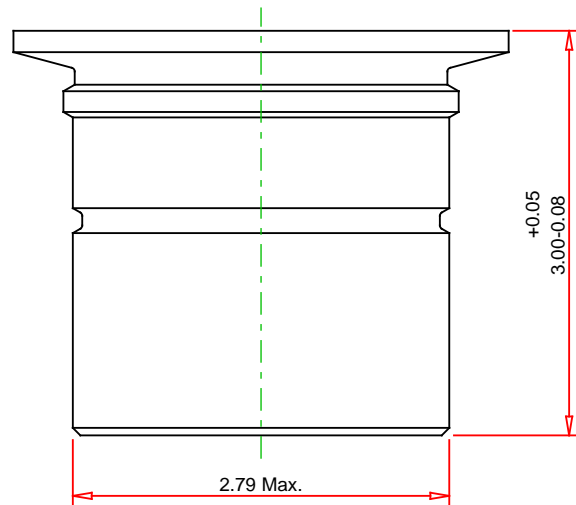
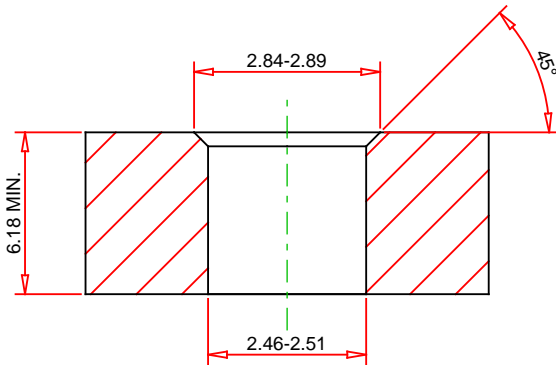


RECOMMENDED
INSTALLATION
TOOLING



RECOMMENDED INSTALLATION ANVIL



© 2024 PennEngineering

ALL DIMENSIONS IN MILLIMETERS

DATE 25-JUN-2024

NOTE : DRAWING NOT TO SCALE

| | | | |
|-------------|--|-------------------------|-----------------|
| THREAD : | M1.4 x 0.3 | MOUNTING HOLE DIA. : | 2.87 +0.05 |
| MATERIAL: | HARDENED 400 SERIES STAINLESS STEEL | PANEL THICKNESS: | 0.2 MINIMUM |
| HEAT TREAT: | YES | MAX. PANEL HARDNESS: | HRC 37 / HB 340 |
| FINISH: | Passivated and/or tested per ASTM A380 | MIN CENTERLINE-TO-EDGE: | 2.87 |

DESCRIPTION :
PEM® TYPE TMSO4™ SELF-CLINCHING MICRO STANDOFFS
METRIC

PART NO. :
TMSO4-M1.4-300



PennEngineering®

EMAIL: TECHSUPPORT@PEMNET.COM
WWW.PEMNET.COM