



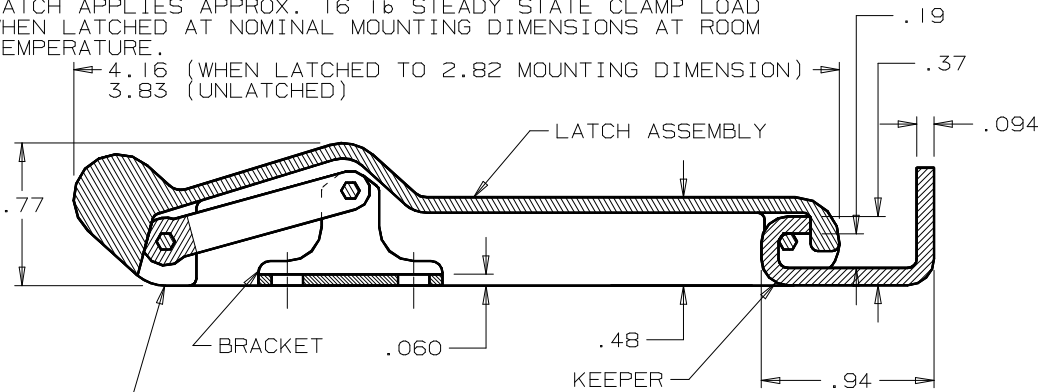
SOUTHCO SOFT-LATCH™
FLEXIBLE COVER DRAW LATCH

DATE	DRAWN	CHKD	SCALE	DRAWING NUMBER
10-24-89	JCG		1:1	J-C7-12

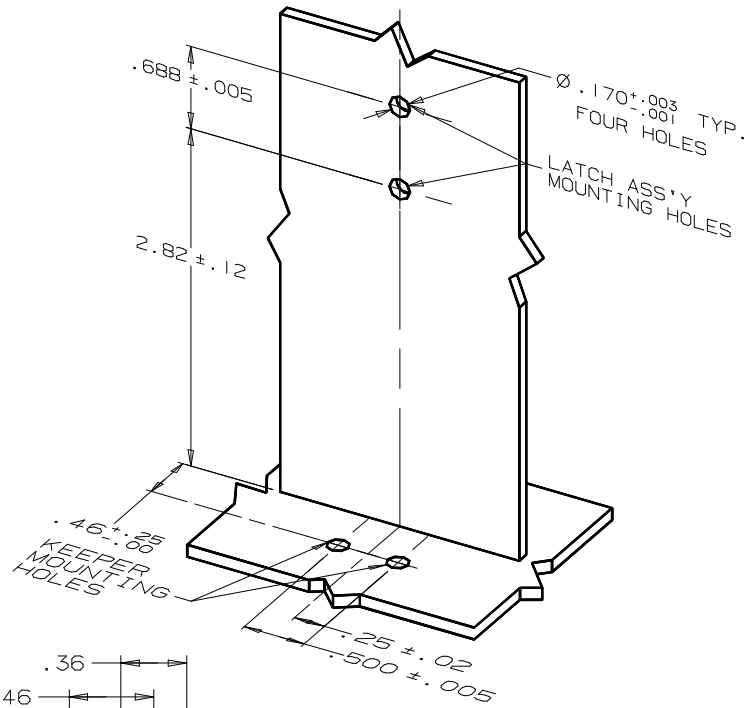
REV.	DATE	BY-CHKD	REVISIONS	ITEM	COMPONENT	PART NO.	MATERIAL	FINISH
A	12/18/89	RES	ADDED MNTG DIMS. DETAIL; ADDED NOTE RE LATCH CONTACT	ASSEMBLY		C7-12		
B	7/30/90	JAD	PRN: C7-11		LATCH SUB-ASS'L'Y		SEE NOTE 1.	SEE NOTE 1.
C	12-20-90	RHB	PRN C7-14		KEEPER		TYPE 304 STAINLESS STEEL	PASSIVATED
D	12JAN93	KPL	PRN: S-1-03					
E	08DEC95	AJH	PRN: C7-34					

NOTES:

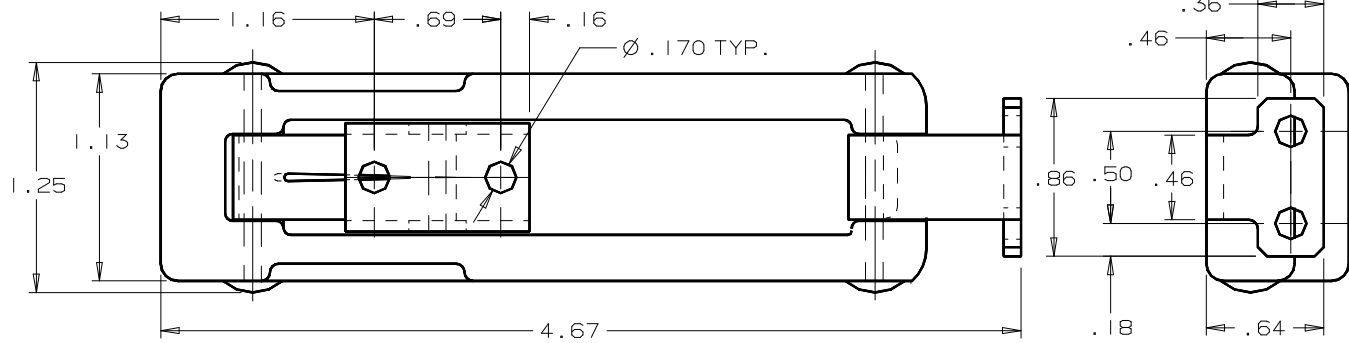
- LATCH SUB-ASSEMBLY CONSISTS OF:
LATCH BODY - THERMOPLASTIC ELASTOMER, BLACK
LEVER AND BUSHINGS - GLASS REINFORCED NYLON, BLACK
PINS AND BRACKET - 304 SERIES STAINLESS STEEL, PASSIVATED
RIVET - 430 STAINLESS STEEL, PASSIVATED
- MOUNT USING 4 mm OR 5/32 DIA. RIVETS;
M4 OR No. 8 SIZE HARDWARE.
- LATCH APPLIES APPROX. 16 lb STEADY STATE CLAMP LOAD
WHEN LATCHED AT NOMINAL MOUNTING DIMENSIONS AT ROOM
TEMPERATURE.



THIS POINT OF LATCH ASSEMBLY MUST BE ALLOWED TO CONTACT BRACKET MOUNTING PLANE WHEN LATCH IS CLOSED TO ASSURE PROPER OVER-CENTER ACTION



MOUNTING DIMENSIONS



FORMAT 3/88

PROPRIETARY ITEM - EXCEPT FOR USES EXPRESSLY GRANTED IN WRITING
INFORMATION DISCLOSED HEREON IS CONFIDENTIAL AND ALL RIGHTS PATENT
AND OTHERWISE ARE RESERVED BY SOUTHCO, INC.

PATENTED

ALL DIMENSIONS WITHOUT TOLERANCES ARE REFERENCE.

DRAWING NUMBER
J-C7-12