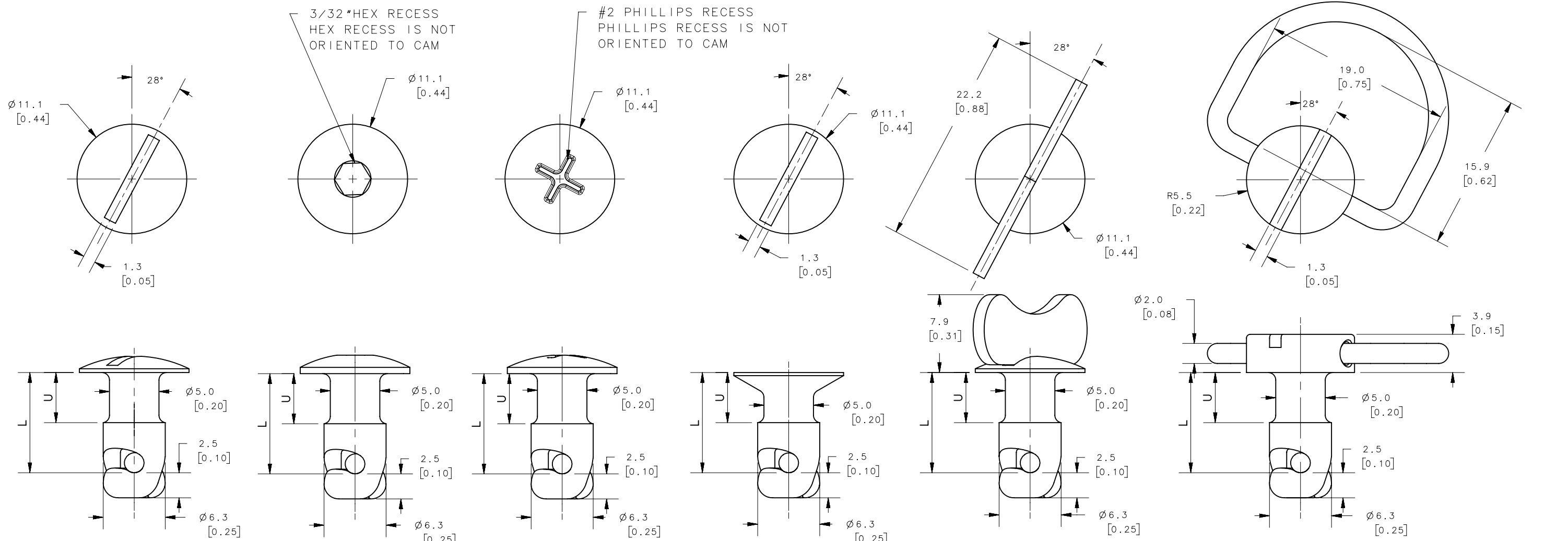


REVISION HISTORY			
REV	DATE	BY	DESCRIPTION
A	11 MAR 2011	YGC	P2011-0350



SLOT AJ HEX RECESS ASHJ PHILLIPS RECESS APRJ FLUSH SLOT FJ WING HEAD AJW BAIL HEAD BJR

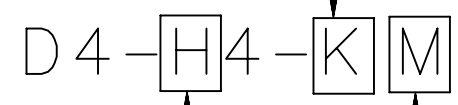
SELECTION TABLE

K	U	L	K	U	L	K	U	L	K	U	L
25	1.91 [0.075]	6.35 [0.250]	85	12.70 [0.500]	21.59 [0.850]	145	15.24 [0.600]	36.83 [1.450]	205	15.24 [0.600]	52.07 [2.050]
30	2.54 [0.100]	7.62 [0.300]	90	15.24 [0.600]	22.86 [0.900]	150	15.24 [0.600]	38.10 [1.500]	210	15.24 [0.600]	53.34 [2.100]
35	3.81 [0.150]	8.89 [0.350]	95	15.24 [0.600]	24.13 [0.950]	155	15.24 [0.600]	39.37 [1.550]	215	15.24 [0.600]	54.61 [2.150]
40	5.08 [0.200]	10.16 [0.400]	100	15.24 [0.600]	25.40 [1.000]	160	15.24 [0.600]	40.64 [1.600]	220	15.24 [0.600]	55.88 [2.200]
45	5.72 [0.225]	11.43 [0.450]	105	15.24 [0.600]	26.67 [1.050]	165	15.24 [0.600]	41.91 [1.650]	225	15.24 [0.600]	57.15 [2.250]
50	6.35 [0.250]	12.70 [0.500]	110	15.24 [0.600]	27.94 [1.100]	170	15.24 [0.600]	43.18 [1.700]	230	15.24 [0.600]	58.42 [2.300]
55	6.99 [0.275]	13.97 [0.550]	115	15.24 [0.600]	29.21 [1.150]	175	15.24 [0.600]	44.45 [1.750]	235	15.24 [0.600]	59.69 [2.350]
60	7.62 [0.300]	15.24 [0.600]	120	15.24 [0.600]	30.48 [1.200]	180	15.24 [0.600]	45.72 [1.800]	240	15.24 [0.600]	60.96 [2.400]
65	8.89 [0.350]	16.51 [0.650]	125	15.24 [0.600]	31.75 [1.250]	185	15.24 [0.600]	46.99 [1.850]	245	15.24 [0.600]	62.23 [2.450]
70	8.89 [0.350]	17.78 [0.700]	130	15.24 [0.600]	33.02 [1.300]	190	15.24 [0.600]	48.26 [1.900]	250	15.24 [0.600]	63.50 [2.500]
75	10.16 [0.400]	19.05 [0.750]	135	15.24 [0.600]	34.29 [1.350]	195	15.24 [0.600]	49.53 [1.950]			
80	10.16 [0.400]	20.32 [0.800]	140	15.24 [0.600]	35.56 [1.400]	200	15.24 [0.600]	50.80 [2.000]			

PART NUMBER

LENGTH

ENTER NUMBER FROM SELECTION TABLE



HEAD STYLE

- AJ SLOT
- ASHJ HEX RECESS
- APRJ PHILIPS RECESS
- FJ FLUSH SLOT
- AJW WING HEAD
- BJR BAIL HEAD

MATERIAL/FINISH

NO SUFFIX: STEEL ZINC PLATED WITH CLEAR CHROMATE FINISH
 EX: D4-AJ4-30
 SS: STAINLESS STEEL, HEAT TREATED, PASSIVATED
 EX: D4-AJ4-30SS
 FOR OTHER NON STANDARD FINISHES, REFER TO SOUTHCO SPECIFICATION J-D5-0-3
 EX: D4-AJ4-30CBB

NOTE:
 1. FOR SELF EJECTING FEATURE ADD SUFFIX ***SE*** AT THE END OF PART NUMBER
 EX: D4-AJ4-30SE, D4-AJ4-30SSSE

THIRD ANGLE PROJECTION

MILLIMETERS [IN]

TOLERANCES UNLESS OTHERWISE NOTED

ALL DIMENSIONS WITHOUT TOLERANCES ARE FOR REFERENCE ONLY.

PER ASME Y14.5M-1994

PROPRIETARY ITEM
 EXCEPT FOR USES EXPRESSLY GRANTED IN WRITING, INFORMATION DISCLOSED HEREON IS CONFIDENTIAL AND ALL RIGHTS, PATENT AND OTHERWISE, ARE RESERVED BY SOUTHCO, INC.



DESCRIPTION QUARTER TURN FASTENER, D4-H4			
SIZE A3	SYSTEM NX	DWG NO. J-D4-H4-K	
DRAWN BY YGC	DATE 09 DEC 2010	SCALE 2.5:1	SHEET 1 OF 1