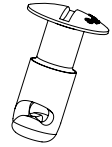
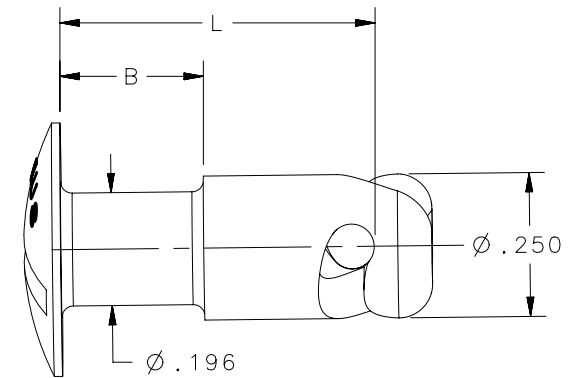
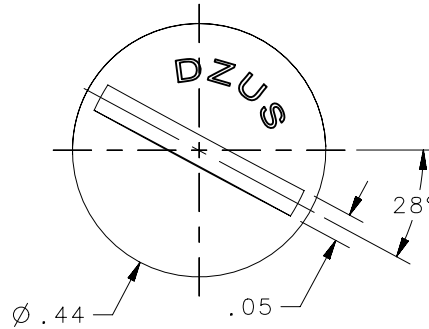


GRIP TABLE					
-XX	L	B	-XX	L	B
25	.250	.075	140	1.400	.600
30	.300	.100	145	1.450	.600
35	.350	.150	150	1.500	.600
40	.400	.200	155	1.550	.600
45	.450	.225	160	1.600	.600
50	.500	.250	165	1.650	.600
55	.550	.250	170	1.700	.600
60	.600	.300	175	1.750	.600
65	.650	.300	180	1.800	.600
70	.700	.350	185	1.850	.600
75	.750	.350	190	1.900	.600
80	.800	.400	195	1.950	.600
85	.850	.400	200	2.000	.600
90	.900	.500	205	2.050	.600
95	.950	.500	210	2.100	.600
100	1.000	.600	215	2.150	.600
105	1.050	.600	220	2.200	.600
110	1.100	.600	225	2.250	.600
115	1.150	.600	230	2.300	.600
120	1.200	.600	235	2.350	.600
125	1.250	.600	240	2.400	.600
130	1.300	.600	245	2.450	.600
135	1.350	.600	250	2.500	.600

REVISION HISTORY			
REV	DATE	BY	DESCRIPTION
A	16APR2019	CB1/DMS	PRN: P2019-1031



SCALE 1:1



D4-AJ4-XXSS	STUD	304 STAINLESS STEEL	PASSIVATED
D4-AJ4-XX	STUD	4037 STEEL	ZINC PLATED, CHROMATE DIP, BRIGHT
SOUTHCO PART NUMBER	TYPE OF COMPONENT	MATERIAL	FINISH
	THIRD ANGLE PROJECTION	 CONNECT • CREATE • INNOVATE	
	INCHES [MM]		
	TOLERANCES UNLESS OTHERWISE NOTED		
	ALL DIMENSIONS WITHOUT TOLERANCES ARE FOR REFERENCE ONLY.		
PROPRIETARY ITEM EXCEPT FOR USES EXPRESSLY GRANTED IN WRITING, INFORMATION DISCLOSED HEREON IS CONFIDENTIAL AND ALL RIGHTS, PATENT AND OTHERWISE, ARE RESERVED BY SOUTHCO, INC.	PER ASME Y14.5M-1994	DESCRIPTION D4 SLOTTED STUD	SIZE A
		SYSTEM NX	DWG NO. J-D4-AJ4
		DRAWN BY GDW/JSS	DATE 28NOV2007
		SCALE 3:1	SHEET 1 OF 1