

- NOTES:
 A. TIGHTENING TORQUE OF MOUNTING NUTS NOT TO EXCEED 25 in.-lbs.
 B. MOUNTING HEX NUT AND LOCKWASHER 4 EACH INCLUDED ASSEMBLED

southco

PROPRIETARY ITEM - EXCEPT FOR USES EXPRESSLY GRANTED IN WRITING INFORMATION DISCLOSED HEREON IS CONFIDENTIAL AND ALL RIGHTS PATENT AND OTHERWISE ARE RESERVED BY SOUTHCO, INC.

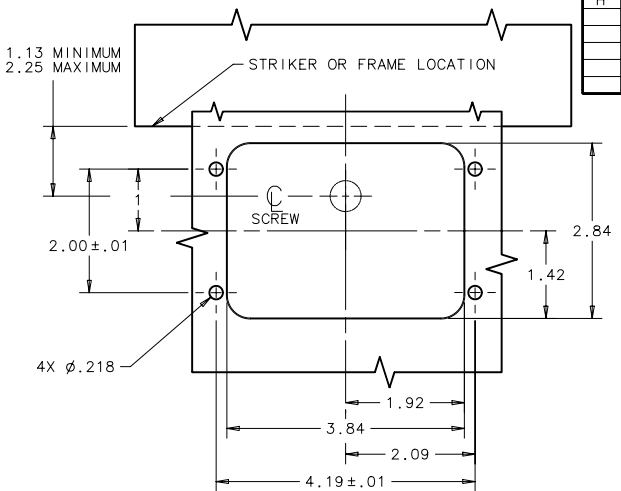
No.24 FASTENER HEAVY DUTY TYPE A (STUD MOUNT) ADAPTABLE FOR 3 POINT LATCH

DATE 5-8-86
 DRAWN RJB
 CHKD
 SCALE .75:1

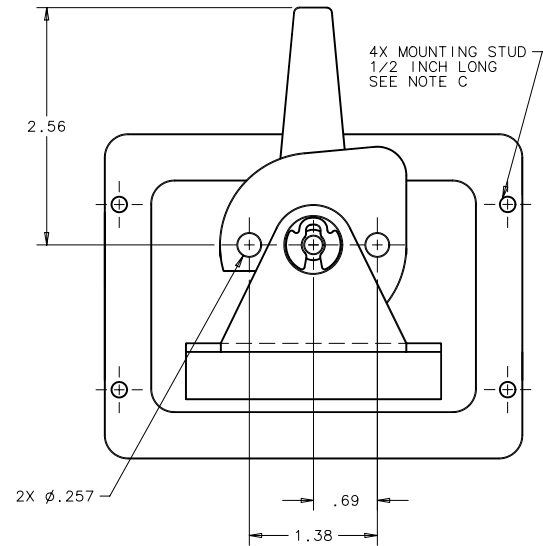
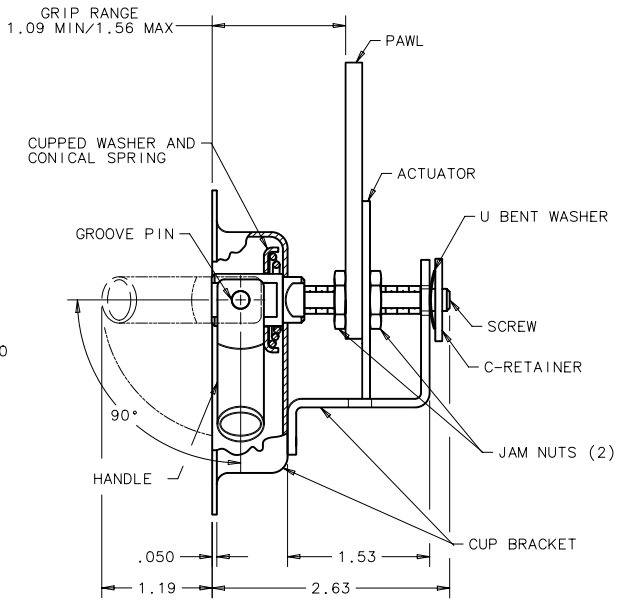
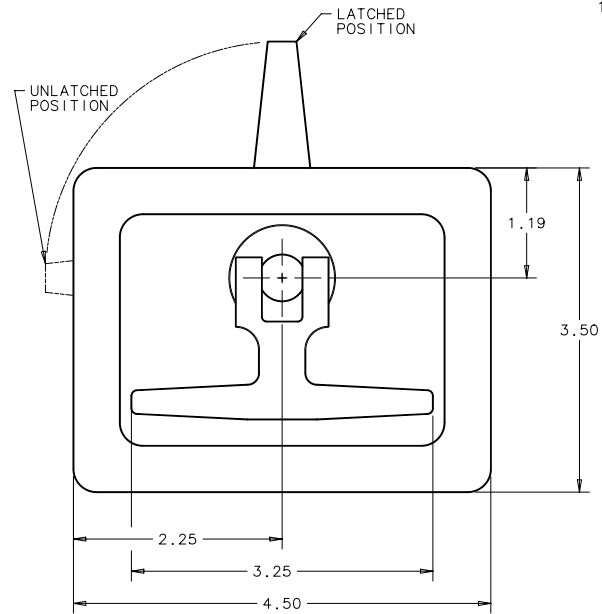
DRAWING NUMBER J-24-20-302-35

REV	DATE	DRAWN/CHKD	DESCRIPTION	ITEM	PART NUMBER	MATERIAL	MATERIAL
F	21MAY97	SWD	PRN: 24-176	ASSEMBLY	24-20-302-35	-	-
G	14MAY2004	RLR/AJH	PRN: P2004-0492	GROOVE PIN	-	STEEL	ZINC PLATE PLUS BRIGHT CHROMATE
H	12APR2005	BRP/AJH	PRN: P2005-0592	SCREW	-	STEEL	CHROME PLATE
				CONICAL SPRING	-	STAINLESS STEEL	PASSIVATE
				PAWL	-	STEEL	ZINC FLAKE COATING
				JAM NUT (2)	-	STEEL	ZINC PLATE CHROMATE PLUS SEALER
				ACTUATOR	-	STEEL	ZINC FLAKE COATING
				U BENT WASHER	-	STEEL	ZINC PLATE PLUS YELLOW CHROMATE DIP
				C RETAINER	-	STEEL	ZINC PLATE PLUS YELLOW CHROMATE DIP
				HANDLE	-	DIE CAST ZINC	CHROME PLATE
				CUPWASHER	-	STEEL	CHROME PLATE
				CUP BRACKET	-	STAINLESS STEEL	ELECTROPOLISH
				HEX NUT (4)	-	STAINLESS STEEL	PASSIVATE
				LOCKWASHER (4)	-	STAINLESS STEEL	PASSIVATE

INCHES
 ALL DIMENSIONS WITHOUT TOLERANCES ARE FOR REFERENCE ONLY.
 THIRD ANGLE PROJECTION
 B PAPER SIZE



PANEL PREPARATION



THESE ASSEMBLIES ARE NON-REPAIRABLE ITEMS AND COMPONENTS ARE NOT AVAILABLE AS REPLACEMENT OR REPAIR PARTS.