



SOUTHCO No. 44 ADJUSTABLE PAWL FASTENER / KNOB STYLE  
TYPE A  
(PANEL RANGE .031 TO .250)

DATE	DRAWN	CHK'D	SCALE	DRAWING NUMBER
7-1-80	RJB	R.H.B.	N.T.S.	J-44-47

Assembly No	Grid Range
44-1-34-0	
44-1-134-0	125 TO 375
44-1-35-0	
44-1-135-0	375 TO 750
44-1-36-0	
44-1-136-0	750 TO 1125

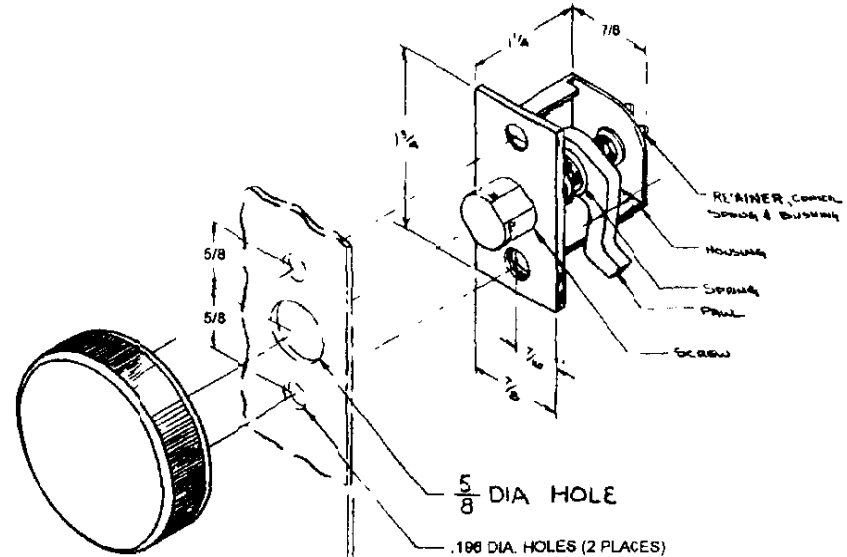
NOTE A ~ DELETED.

REV. LET.	DATE	BY	CHK'D	REVISIONS	R/S	DATE	APP
I	28 JAN 94	DJG		PRN: S-99-1-H-4	A		
J	19 NOV 98	JAC		PRN: S-1-06A	B		
					C		
					D		

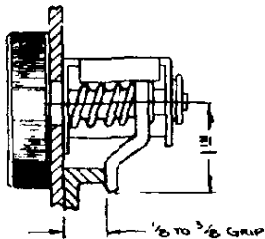
NOTE "B" - ZINC PLATE, CHROMATE PLUS SEALER

COMPONENT	PART No.	MATERIAL	FINISH
SCREW	44-2-18-11	STEEL	SEE NOTE "B"
PAWL	44-24-101-15	STEEL	
PAWL	44-24-102-15	STEEL	
PAWL	44-24-101-15	STEEL	
HOUSING	44-3-3-15	STEEL	SEE NOTE "B"
SPRING	44-5-1-24	STAINLESS STEEL	PASSIVED
BUSHING	44-14-1-15	STEEL	SEE NOTE "B"
CONICAL SPRING	44-18-1-24	STAINLESS STEEL	PASSIVED
RETAINER	44-9-1-16	STEEL	SEE NOTE "B"
KNOB	44-41-101-41	THERMOPLASTIC	BLACK

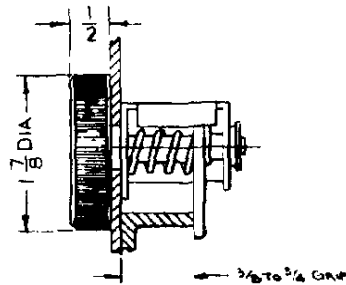
SUB ASSY  
SUB ASSY  
SUB ASSY



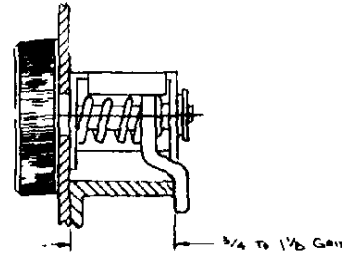
44-1-34-0



44-1-35-0



44-1-36-0



PANEL RANGE  
.031 TO .250

INSTALL FASTENER WITH 5/16 DIA. RIVETS OR No. 10 SCREWS, THEN PRESS KNOB ONTO SCREW. KNOB CANNOT BE REMOVED AFTER INSTALLING.

NOV 15 1999

DRAWING NUMBER

J-44-47

322 313 Hilltop