



PROPRIETARY ITEM - EXCEPT FOR USES EXPRESSLY GRANTED IN WRITING INFORMATION DISCLOSED HEREON IS CONFIDENTIAL AND ALL RIGHTS PATENT AND OTHERWISE ARE RESERVED BY SOUTHCO, INC.

SOUTHCO No. 47 CAPTIVE FASTENER
M3 THREAD, FLARE-IN STYLE

DATE	DRAWN	CHKD	SCALE	DRAWING NUMBER
08JUL2002	DLH		2:1	J-47-1-M3

REV	DATE	DRAWN/CHKD	DESCRIPTION	PART NUMBER	SCREW PROJECTION		PANEL THICKNESS		B	L
					P-1	P-2	A, MIN	A, MAX		
A	13FEB2004	DLH/AJH	PRN: P2004-0148	47-80-1X1-YZ	0.8	4.0				
B	08MAR2004	DLH/AJH	PRN: P2004-0246	47-81-1X1-YZ	2.5	5.7	0.8	1.5	0.4	1
C	30OCT2006	AJH/MDY	PRN: P2006-1511	47-82-1X1-YZ	4.0	7.2				
D	22NOV2013	CMS/TVA	PRN: P2013-2327	47-83-1X1-YZ	5.6	8.8	1.5	2.5	0.4	1.8
				47-80-1X2-YZ	1.5	4.8				
				47-81-1X2-YZ	3.3	6.4				
				47-82-1X2-YZ	4.8	7.9				
				47-83-1X2-YZ	6.4	9.4				
				47-80-1X3-YZ	2.5	5.7	2.5	4	0.8	2.6
				47-81-1X3-YZ	4.0	7.2				
				47-82-1X3-YZ	5.6	8.8				
				47-80-1X5-YZ	4.0	7.2	4	5.6	2.4	4.2
				47-81-1X5-YZ	2.5	5.7				
				47-80-1X7-YZ	5.6	8.8	5.6	7.1	4	5.8

MILLIMETERS

ALL DIMENSIONS WITHOUT TOLERANCES ARE FOR REFERENCE ONLY.

THIRD ANGLE PROJECTION

A3 PAPER SIZE

MATERIAL AND FINISH:

KNOB: 6000 SERIES ALUMINUM, NATURAL OR BLACK POWDER COATED

SCREW: 400 SERIES STAINLESS STEEL, PASSIVATED; OR HARDENED CARBON STEEL, ZINC PLATE, CHROMATE PLUS SEALER (SEE "Z" TABLE) (NOTE: KNOB AND TOP OF SCREW AVAILABLE WITH POWDER COATING; SEE "Y" TABLE)

FERRULE: 6000 SERIES ALUMINUM, NATURAL

SPRING: 300 SERIES STAINLESS STEEL, PASSIVATED

"X" SCREW RECESS

- 0 - SLOTTED
- 2 - No.1 PHILLIPS
- 4 - T10 TORX
- 6 - T10 TORX/SLOT COMBINATION
- 8 - No.1 PHILLIPS/SLOT COMBINATION

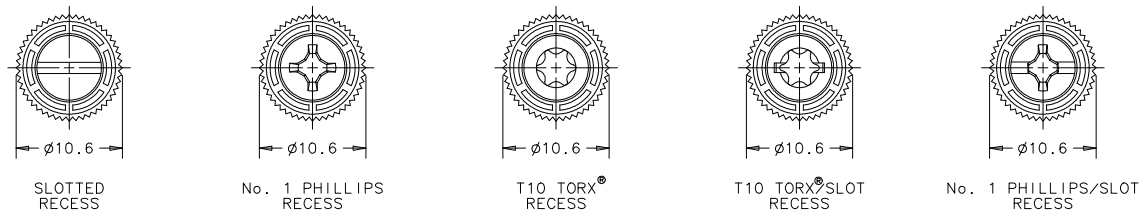
"Y" FINISH ON KNOB & SCREW HEAD

- 1 - BRIGHT
- 4 - CUSTOM COLOR. SEE J-47-0-3 FOR ADDITIONAL SUFFIX
- 5 - BLACK POWDER COATED

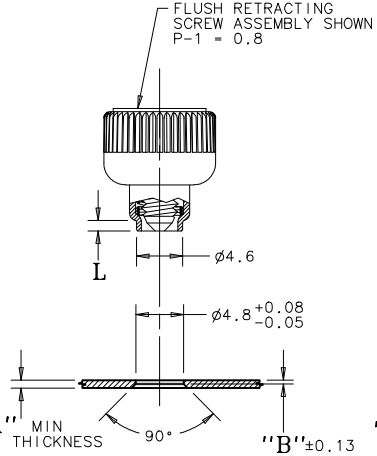
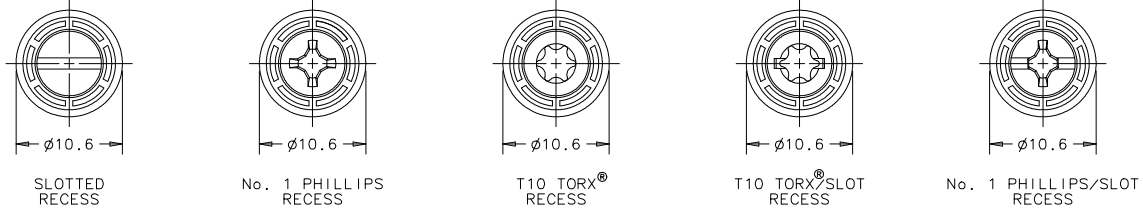
"Z" KNOB TYPE AND SCREW MATERIAL

KNOB	SCREW MATERIAL	RECESS	
		SLOTTED TORX PHILLIPS/SLOT	TORX/SLOT
KNURLED	STAINLESS STEEL	0	N/A
SMOOTH	STAINLESS STEEL	1	N/A
KNURLED	STEEL	4	0
SMOOTH	STEEL	5	1

KNURLED KNOBS

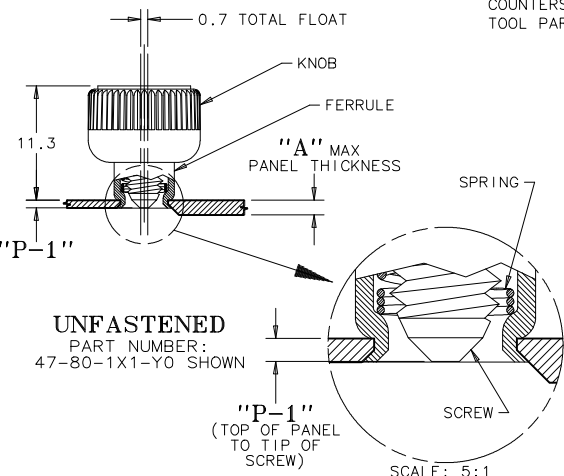


SMOOTH KNOBS



PANEL PREPARATION
PART NUMBER:
47-80-1X1-Y0 SHOWN

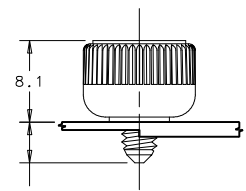
NOTE: KNOB AND SCREW ARE SPRING LOADED OUTWARD, AS SHOWN BELOW



UNFASTENED
PART NUMBER:
47-80-1X1-Y0 SHOWN

TO INSTALL FASTENER:

1. DRILL, THEN COUNTERSINK ACCORDING TO THE REQUIRED "B" DIMENSION.
2. INSERT FASTENER AND FLARE INTO COUNTERSINK WITH INSTALLATION TOOL PART NUMBER 47-104.



FASTENED
PART NUMBER:
47-80-1X1-Y0 SHOWN

"P-1" (TOP OF PANEL TO TIP OF SCREW)

SCALE: 5:1

TORX IS A REGISTERED TRADEMARK OF THE CAMCAR DIVISION OF TEXTRON, INC.