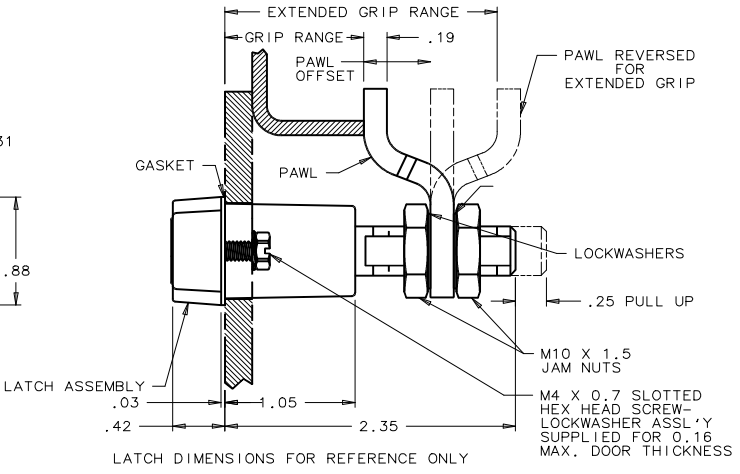
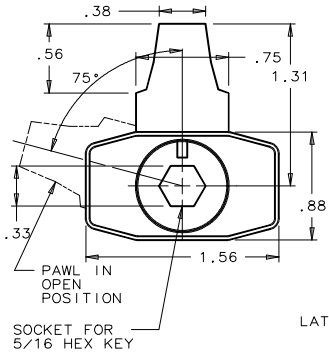


southco		PROPRIETARY TRADE SECRET FOR USE EXPRESSLY GRANTED IN WRITING INFORMATION DISCLOSED HEREON IS CONFIDENTIAL AND ALL RIGHTS, PATENT AND OTHERWISE ARE RESERVED BY SOUTHCO, INC.		WISE-ACTION™ LATCH 5/16 HEX SOCKET DRIVER		DRAWING NUMBER J-E3-36	
REV.	DATE	BY-CHKD	REVISIONS	ASSEMBLY PART NO.	GRIP RANGE	PAWL OFFSET	

B	15 JAN. 93	KPI	PRN: S-1-0-3	E3-36-1X	0.31 - 0.93 or 2.47 - 3.00	1.08	HOUSING DIE CAST ZINC SEE TABLE
C	10 OCT 96	BWD	PRN: S-9-3-2-3	E3-36-2X	0.86 - 1.47 or 1.93 - 2.55	0.54	CAP DIE CAST ZINC SEE TABLE
D	07 JUL 99	SKK	PRN: E3-801/E3-806	E3-36-3X	1.39 - 2.00	NONE	RETAINER 302 STAINLESS STEEL NATURAL
E	14 FEB 2001	JRS	PRN: E3-847A				SPRING 302 STAINLESS STEEL NATURAL
F	29 JAN 2015	CMS	PRN: P2015-0226				O-RING BUNA-N NATURAL
G	30 JUN 2021	CMS-DMS	PRN: P2021-1293				SLEEVE 1075 STEEL DACROTIZED†

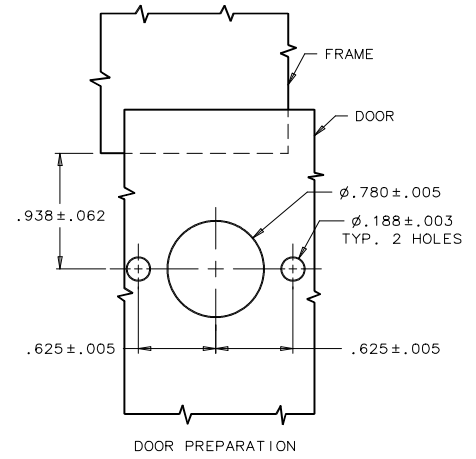
THE ABOVE PART NUMBERS ARE TYPE "A"
(TURN COUNTERCLOCKWISE TO LATCH).
FOR TYPE "B" ASSEMBLIES.
(TURN COUNTERCLOCKWISE TO LATCH).
CHANGE THE THIRD DIGIT OF THE
PART NUMBER FROM 1 TO 23.
EXAMPLE: E3-236-15



- X- FINISH TABLE
- 1 - BRIGHT CHROME PLATE
 - 4 - CARDINAL WHITE POWDER COAT
 - 5 - BLACK POWDER COAT
 - 7 - SATIN SILVER POLYESTER POWDER COAT

NOTE A: ZINC PLATE
CHROMATE PLUS SEALER

- NOTES:
1. OPERATION: 195° TURN OF KEY CAUSES PAWL TO ROTATE 75° THEN PULL UP 0.25.
 2. PAWL, NUTS, LOCKWASHERS, GASKET, AND SCREW ASSLY'S SHIPPED UNASSEMBLED IN BAG WITH LATCH ASSEMBLY.
 3. INSTALLATION:
 - a. INSTALL GASKET OVER LATCH AND INSTALL LATCH IN DOOR. ATTACH USING M4 SCREW ASSEMBLIES (7mm HEX) 15 in-lb MAX. TIGHTENING TORQUE.
 - b. INSTALL JAM NUT, LOCKWASHER, PAWL, LOCKWASHER, AND JAM NUT ON SHAFT. ADJUST JAM NUTS TO POSITION PAWL AT CORRECT GRIP (WITH LATCH CLOSED). TIGHTEN JAM NUTS (180 in-lb MAX. TORQUE) USING TWO 17mm WRENCHES.
- CAUTION: ADJUST PAWL SO THAT NO MORE THAN 70 in-lb TORQUE ON KEY IS REQUIRED TO CLOSE LATCH.



DRAWING NUMBER
J-E3-36

TTM - METAL COATINGS INTERNATIONAL, INC.

PATENT US, UK
DIMENSIONS ARE INCHES UNLESS NOTED OTHERWISE