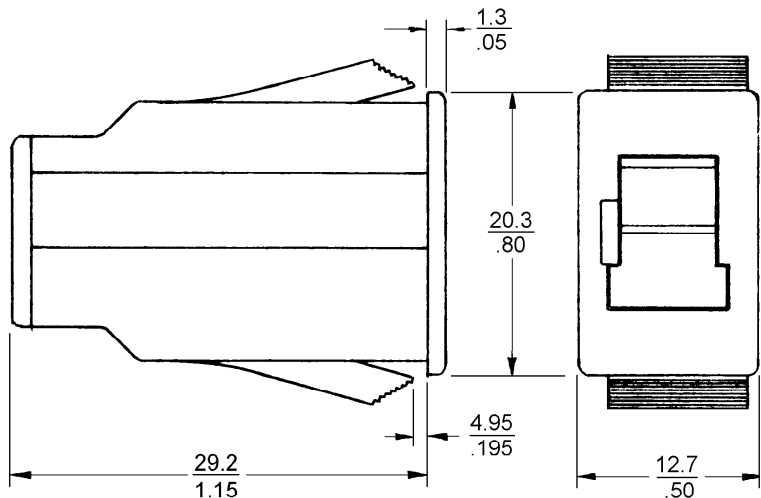




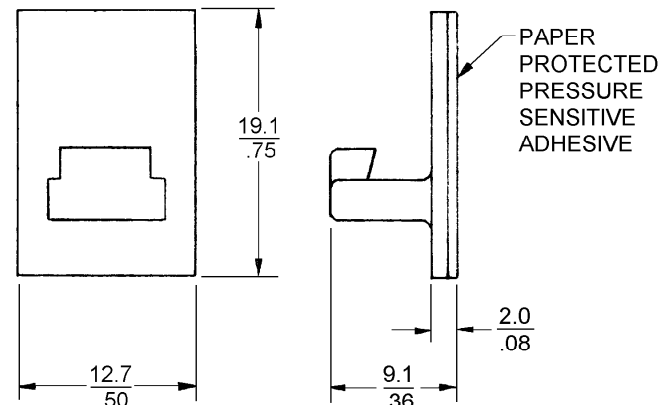
NO. E4 TOUCH LATCH

DATE	DRAWN	CHKD	SCALE	DRAWING NUMBER
8-14-84	RHB		N.T.S.	J-E4-10-203-10

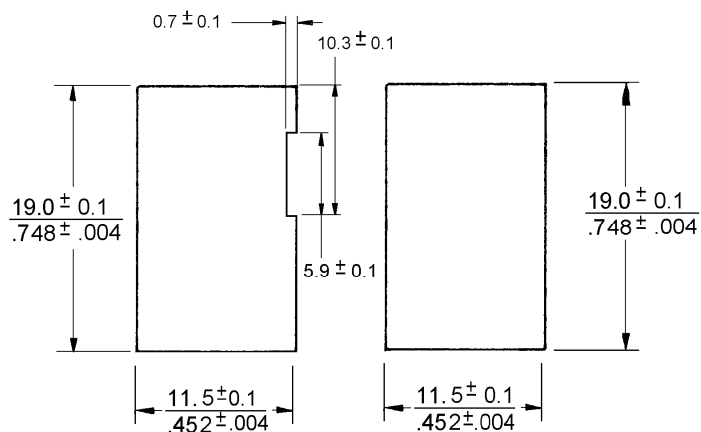
ASSEMBLY PART NO. E4-10-203-10



LATCH ASSEMBLY

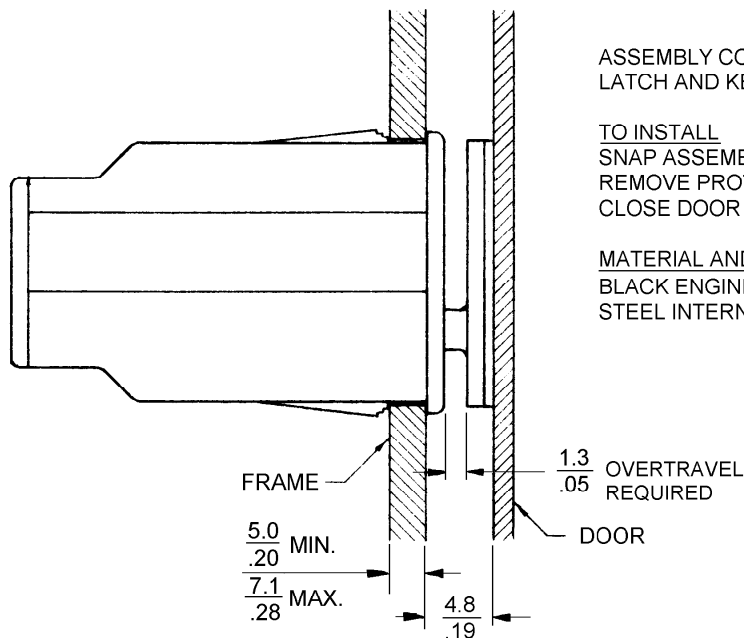


KEEPER ASSEMBLY



ALTERNATE PANEL
PREP. FOR "ONE-WAY"
INSTALLATION

INSTALLATION HOLE
IN FRAME



ASSEMBLY CONSISTS OF ONE PRE-ASSEMBLED LATCH AND KEEPER

TO INSTALL
SNAP ASSEMBLY INTO INSTALLATION HOLE.
REMOVE PROTECTIVE PAPER FROM ADHESIVE.
CLOSE DOOR FIRMLY IN CONTACT WITH KEEPER.

MATERIAL AND FINISH
BLACK ENGINEERING THERMOPLASTIC AND STAINLESS
STEEL INTERNAL SPRING.

PROPRIETARY ITEM - EXCEPT FOR USES EXPRESSLY GRANTED IN WRITING, INFORMATION DISCLOSED HEREON IS CONFIDENTIAL AND ALL RIGHTS, PATENT AND OTHERWISE, ARE RESERVED BY SOUTHCO, INC.

PAT. 4,655,489

REV. "A" 2-20-85 ~ RHB ~ PRN: E4-09
REV. "B" 3-14-85 ~ SJM ~ PRN: E4-10
REV. "C" 3-16-87 ~ RHB ~ PRN: E4-14
REV. "D" 12JAN93 ~ JC ~ PRN: S-1-03

REV. "E" 14OCT97 ~ TCP ~ PRN: E4-49

DRAWING NUMBER

J-E4-10-203-10