

REV	DATE	DRAWN/CHKD	DESCRIPTION
A	09APR2008	VSR/VGV	PRN: P2008-0371
B	05JUN2008	JHV/MJS	PRN: P2008-0700
C	10SEP2008	DSR/TVA	PRN: P2008-1006
D	29SEP2008	ACH/MJS	PRN: P2008-1069
E	18NOV2008	KVL/ACH	PRN: P2008-1265
F	03FEB2009	ACH/MJS	PRN: P2009-0117
G	23APR2015	CMS/LT	PRN: P2015-0804

PART NUMBER:

E5-9 **V** - **WW** 5 - **YY** 1 - **R** **K**

CUP STYLE
(SEE BELOW)

CAM STYLE
(SEE BELOW)

OMITTED
WHEN WW=30 OR 33

KEY REMOVAL:
1 = LOCKED/UNLOCKED POSITION

KEY OPTIONS:
0 = NO KEYS INCLUDED, ORDER SEPARATELY
3 = 1 KEY PER LOCK (PLASTIC OVERMOLDED)

MILLIMETERS

ALL DIMENSIONS WITHOUT TOLERANCES ARE FOR REFERENCE ONLY.

THIRD ANGLE PROJECTION

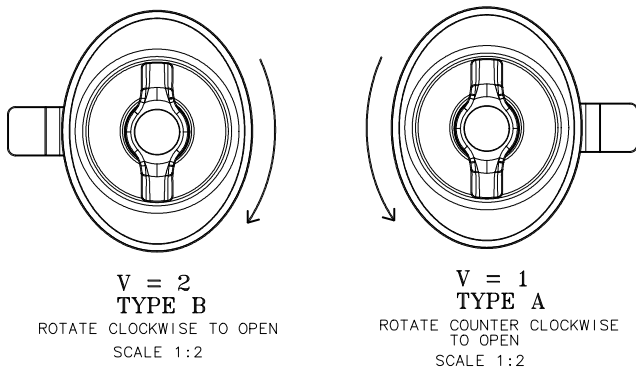
A3 PAPER SIZE

SHEET 1 OF 4

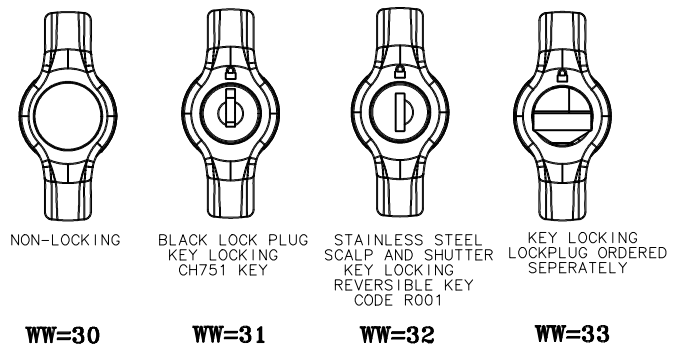
NOTES:

- A. FOR CAM PART NUMBERS SEE GRIP TABLE.
- B. FOR KEY INFORMATION REFER TO J-PK-10-01 (PLASTIC OVERMOLDED).
- C. FOR LOCK PLUG INSTALLATION (WW=33), SEE DRAWING J-E5-9-3, SHEET 4.
- D. COSMETIC SPECIFICATION:
ALL SURFACES ABOVE "A-A" CONFORM TO CLASS "B" DESIGNATION AS DESCRIBED IN SOUTHCO COSMETIC SPECIFICATION S-121-03.

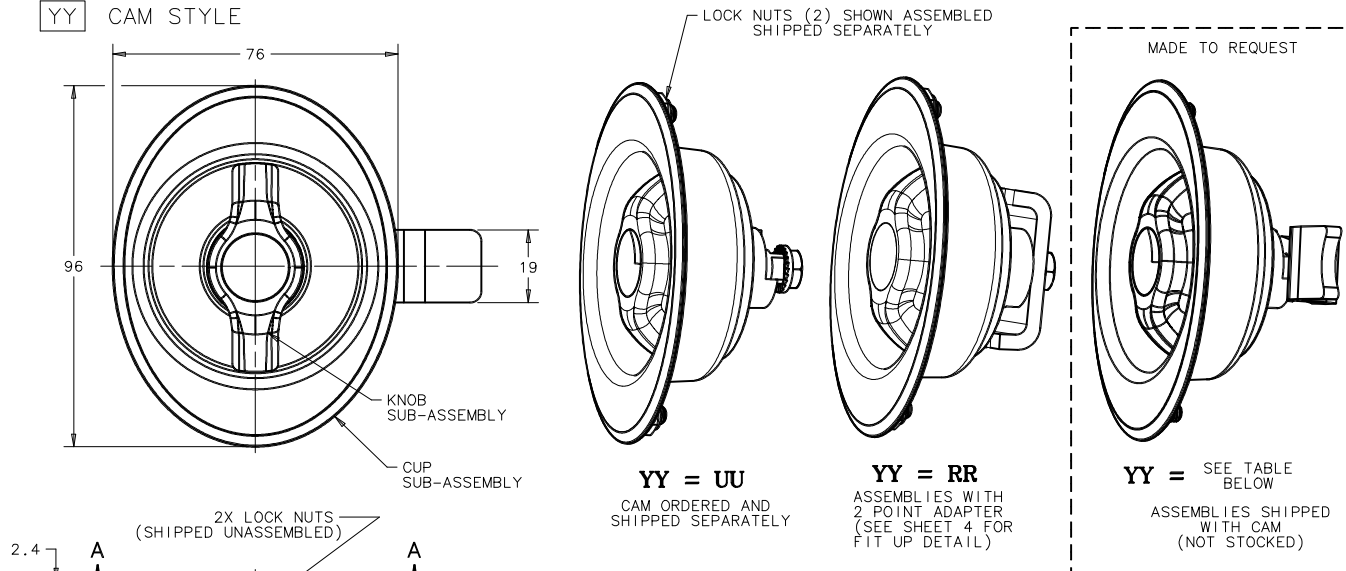
V CUP STYLE



WW ACTUATION STYLE



YY CAM STYLE



CAMS ORDERED SEPARATELY


CAM PART NUMBER	GRIP	YY
E5-6603	22.7mm	03
E5-6604	24.7mm	04
E5-6605	26.7mm	05
E5-6606	28.7mm	06
E5-6607	30.7mm	07
E5-6608	32.7mm	08
E5-6609	34.7mm	09
E5-6610	36.7mm	10

TYPE A SHOWN WITH CAM ASSEMBLED TO LATCH

REV	DATE	DRAWN/CHKD	DESCRIPTION
A	09APR2008	VSR/VGV	PRN: P2008-0371
B	05JUN2008	JHV/MJS	PRN: P2008-0700
C	10SEP2008	DSR/TVA	PRN: P2008-1006
D	29SEP2008	ACH/MJS	PRN: P2008-1069
E	18NOV2008	KVL/ACH	PRN: P2008-1265
F	03FEB2009	ACH/MJS	PRN: P2009-0117
G	23APR2015	CMS/LT	PRN: P2015-0804

MILLIMETERS

ALL DIMENSIONS WITHOUT TOLERANCES ARE FOR REFERENCE ONLY.



THIRD ANGLE PROJECTION

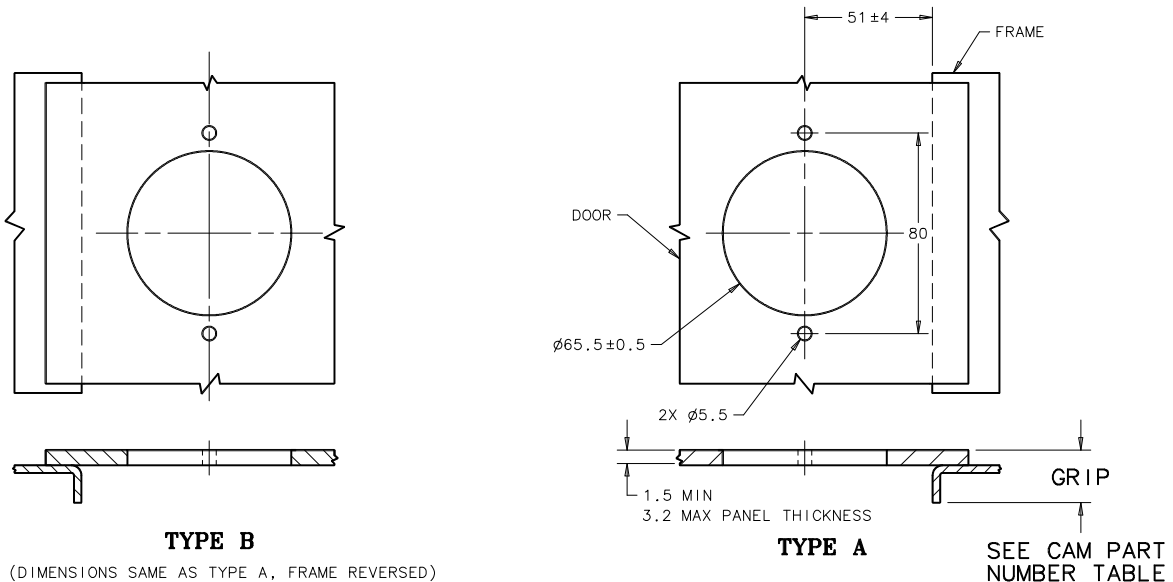
A3 PAPER SIZE

SHEET 2 OF 4

MATERIAL AND FINISH

COMPONENT	MATERIAL DESCRIPTION	FINISH DESCRIPTION	REMARKS
DRIVER	DIE CAST ZINC	BLACK POWDER COAT	VISIBLE PORTION OF DRIVE STUD IN ASSEMBLY IS POWDER COATED
HOUSING	DIE CAST ZINC	BLACK POWDER COAT	POWDER COATED, NO COATING ON SS THREADS
CAM	STEEL	ZINC PLATE, BRIGHT CHROMATE	
O-RINGS	NITRILE	BLACK	
HEX FLANGE SCREW	LOW CARBON STEEL	ZINC PLATE, BRIGHT CHROMATE	
LOCK NUTS(2)	STEEL	ZINC PLATE, BRIGHT CHROMATE	PLASTIC LOCKING INSERT
LOCK PLUG	DIE CAST ZINC	STAINLESS STEEL SCALP OR BLACK POWDER COAT	KEY LOCKING WITH LOCK PLUG ASSEMBLY ONLY (WW=31 & WW=32)
SHIPPING PLUG	POLYPROPYLENE	BLACK	KEY LOCKING, NO LOCK PLUG (WW=33), ASSEMBLY ONLY
LOCK EXTENDER	DIE CAST ZINC	CORICONE DIP	KEY LOCKING ASSEMBLY ONLY (WW=31, WW=32, WW=33)
LOCK PAWL	STEEL	ZINC PLATE	KEY LOCKING ASSEMBLY ONLY (WW=31, WW=32, WW=33)
2 POINT ADAPTER	STEEL	ZINC PLATE	LATCH ASSEMBLIES WITH CAM ADAPTER (YY=RR)

PANEL PREPARATION



REV	DATE	DRAWN/CHKD	DESCRIPTION
A	09APR2008	VSR/VGV	PRN: P2008-0371
B	05JUN2008	JHV/MJS	PRN: P2008-0700
C	10SEP2008	DSR/TVA	PRN: P2008-1006
D	29SEP2008	ACH/MJS	PRN: P2008-1069
E	18NOV2008	KVL/ACH	PRN: P2008-1265
F	03FEB2009	ACH/MJS	PRN: P2009-0117
G	23APR2015	CMS/LT	PRN: P2015-0804

MILLIMETERS

ALL DIMENSIONS WITHOUT TOLERANCES ARE FOR REFERENCE ONLY.

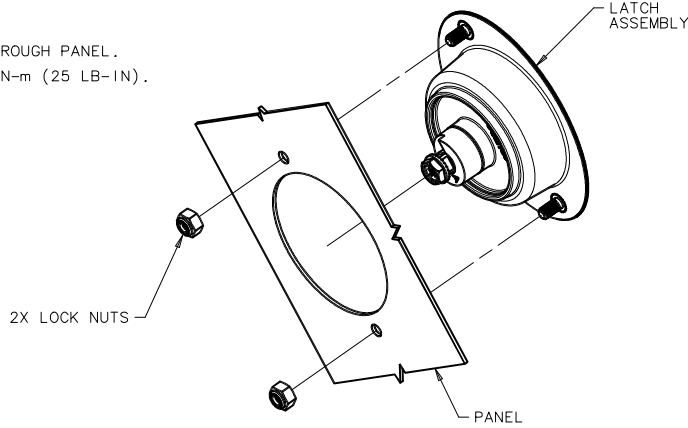
THIRD ANGLE PROJECTION	A3 PAPER SIZE
------------------------	---------------

SHEET 3 OF 4

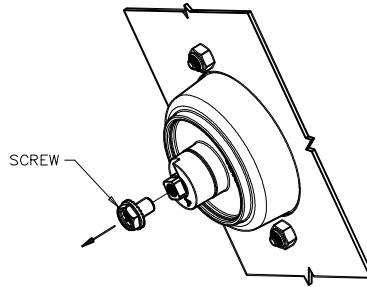
LATCH INSTALLATION INTO PANEL

INSTALLATION METHOD:

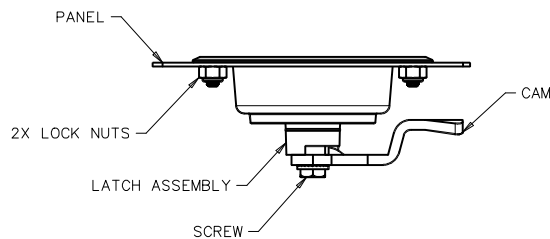
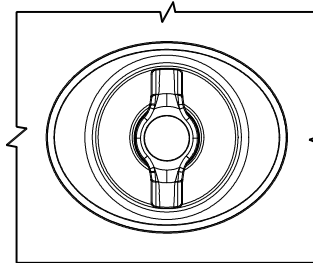
1. PLACE LATCH ASSEMBLY THROUGH PANEL.
TIGHTEN LOCK NUTS TO 3 N-m (25 LB-IN).



2. REMOVE SCREW FROM HOUSING.



3. ATTACH CAM TO LATCH ASSEMBLY, ASSURE THAT CAM IS ORIENTED IN DESIRED POSITION.
4. INSTALL SCREW. TIGHTEN TO 10 N-m(88 lbf-in)MAX USING 10mm HEX. OR NO.2 PHILLIPS DRIVER.



REV	DATE	DRAWN/CHKD	DESCRIPTION
A	09APR2008	VSR/VGV	PRN: P2008-0371
B	05JUN2008	JHV/MJS	PRN: P2008-0700
C	10SEP2008	DSR/TVA	PRN: P2008-1006
D	29SEP2008	ACH/MJS	PRN: P2008-1069
E	18NOV2008	KVL/ACH	PRN: P2008-1265
F	03FEB2009	ACH/MJS	PRN: P2009-0117
G	23APR2015	CMS/LT	PRN: P2015-0804

MILLIMETERS

ALL DIMENSIONS WITHOUT TOLERANCES ARE FOR REFERENCE ONLY.

THIRD ANGLE PROJECTION

A3 PAPER SIZE

SHEET 4 OF 4

