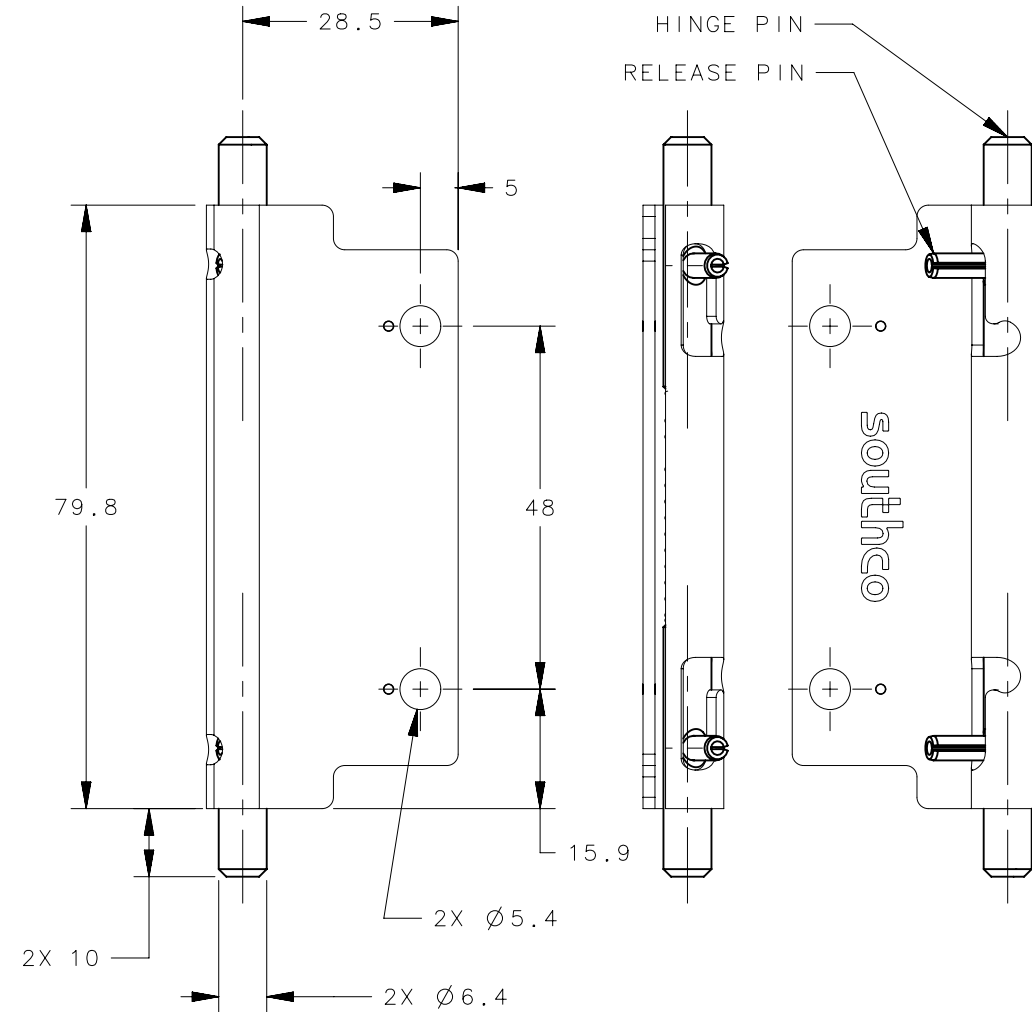
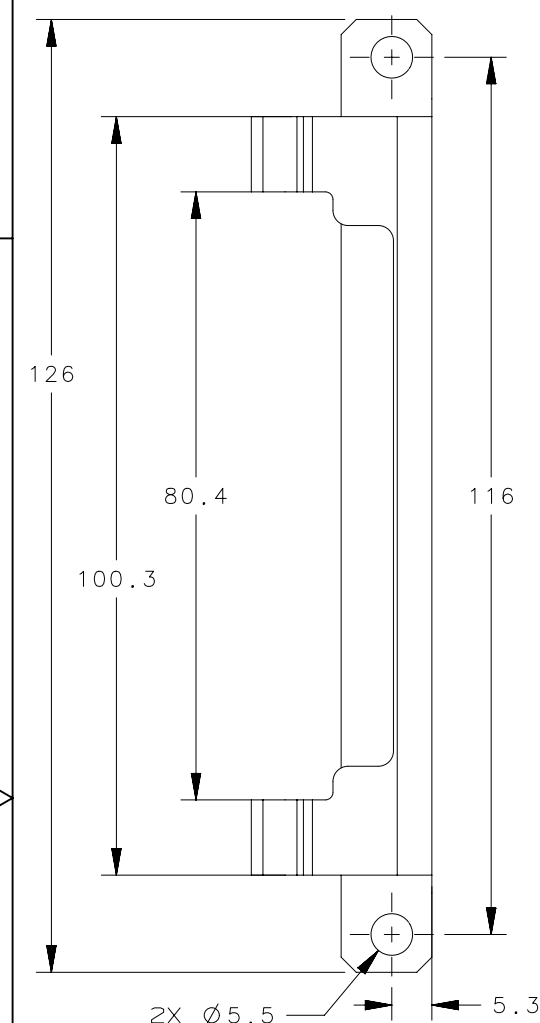
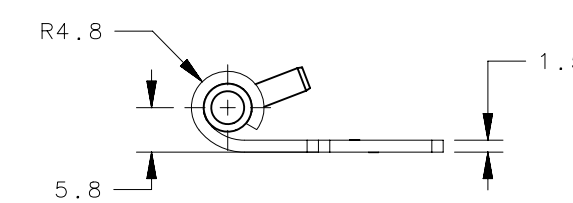
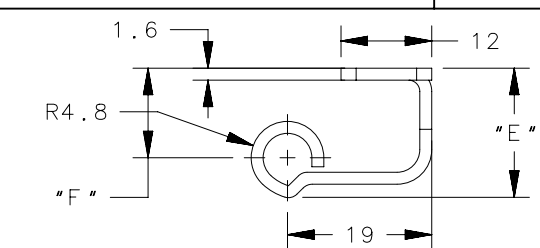
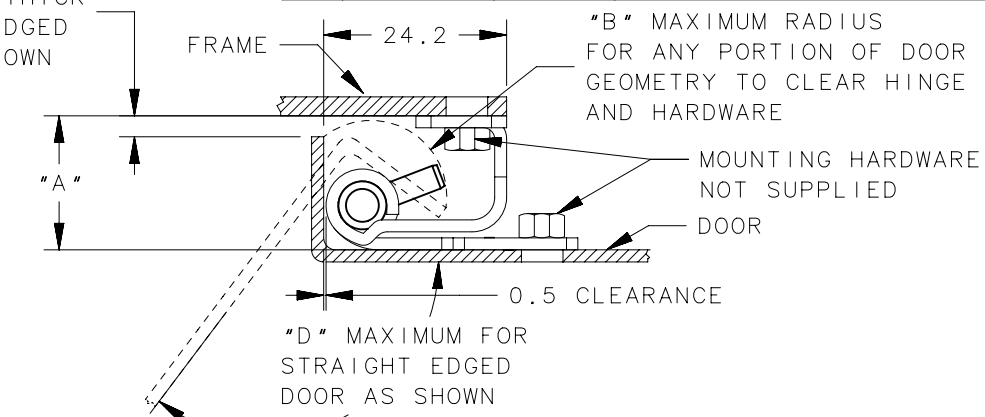


REVISION HISTORY			
REV	DATE	BY	DESCRIPTION
R	26DEC2022	CRM/DMS	PRN: P2022-2228



C MINIMUM GAP FOR 1.5MM THICK STRAIGHT EDGED DOOR AS SHOWN

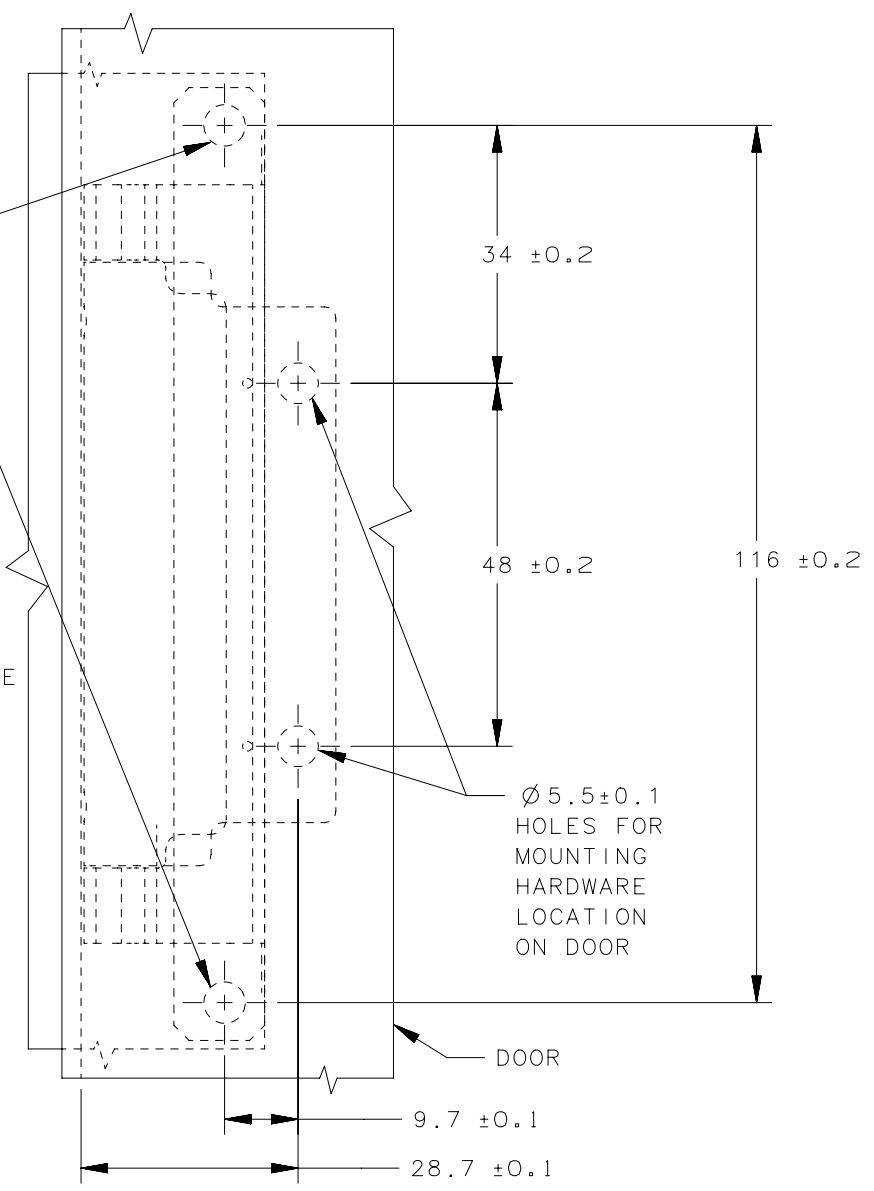


Ø 5.5±0.1 HOLES FOR MOUNTING HARDWARE LOCATION ON FRAME

HINGES MAY BE FASTENED TO DOOR AND FRAME BY:

A.M5 OR No. 10 HARDWARE -FOR MOUNTING FRAME LEAF. MACHINE SCREWS ARE RECOMMENDED. HEX JAM NUTS MAY BE USED, BUT CLEARANCE WITH DOOR EDGE SHOULD BE VERIFIED.

B.WELDING.



FRAME LEAF

DOOR LEAF

F6-3	F6-3-1	F6-903	F6-903-1	F6-940	F6-940-1	24	15.3	4.4	118°	23.4	18.2
F6-2	F6-2-1	F6-902	F6-902-1	F6-940	F6-940-1	20.6	12.7	3.9	125°	20	14.8
F6-1	F6-1-1	F6-901	F6-901-1	F6-940	F6-940-1	17.6	10.9	3.2	132°	17	11.8
STEEL	STAINLESS STEEL	STEEL	STAINLESS STEEL	STEEL	STAINLESS STEEL	"A"	"B"	"C"	"D"	"E"	"F"
ASSEMBLY PART NUMBER (SEE NOTE 3)		FRAME PART NUMBER (SEE NOTE 4)		DOOR LEAF PART NUMBER (SEE NOTE 4)							

NOTE:

- TWO HINGE MINIMUM REQUIRED ON A DOOR.
- MATERIALS AND FINISHES (STEEL VERSION):
 - FRAME LEAF AND DOOR LEAF: 1010 STEEL, ZINC PLATE, CHROMATE DIP
 - HINGE PINS: STEEL, ZINC PLATE, CHROMATE DIP.
 - RELEASE PINS: 420 STAINLESS STEEL, PASSIVATED.
 - INTERNAL SPRING: TYPE 302 STAINLESS STEEL, PASSIVATED.
- MATERIALS AND FINISHES (STAINLESS STEEL VERSION):
 - FRAME LEAF AND DOOR LEAF: TYPE 304 STAINLESS STEEL, PASSIVATED.
 - HINGE PINS: TYPE 303 STAINLESS STEEL, PASSIVATED PLUS CLEAR ORGANIC COATING.
 - RELEASE PINS: 420 STAINLESS STEEL, PASSIVATED.
 - INTERNAL SPRING: TYPE 302 STAINLESS STEEL, PASSIVATED.
- THESE PART NUMBERS SPECIFY ASSEMBLIES PACKAGED 1 FRAME LEAF AND 1 DOOR LEAF PER BAG.
- THESE PART NUMBERS SPECIFY BULK PACKAGED PARTS FOR ONE COMPLETE ASSEMBLY, ORDER 1 FRAME LEAF AND 1 DOOR LEAF.

THIRD ANGLE PROJECTION	MILLIMETERS [IN]		TOLERANCES UNLESS OTHERWISE NOTED		DESCRIPTION F6 CONCEALED HINGE ASSEMBLY			
							SIZE A3	SYSTEM NX
PROPRIETARY ITEM EXCEPT FOR USES EXPRESSLY GRANTED IN WRITING, INFORMATION DISCLOSED HEREON IS CONFIDENTIAL AND ALL RIGHTS, PATENT AND OTHERWISE, ARE RESERVED BY SOUTHCO, INC.			PER ASME Y14.5M-1994		DRAWN BY RES	DATE 21MAR1994	SCALE 1:1	SHEET 1 OF 1

