

NOTES:

A. REFER TO DRAWING No. J-F6-2-2 OR J-F6-2-2-E FOR FULL INSTALLATION INSTRUCTIONS.

**southco** PROPRIETARY ITEM - EXCEPT FOR USES EXPRESSLY GRANTED IN WRITING INFORMATION DISCLOSED HEREON IS CONFIDENTIAL AND ALL RIGHTS PATENT AND OTHERWISE ARE RESERVED BY SOUTHCO, INC.

F6 CONCEALED REMOVABLE HINGE  
DOOR LEAF SUB-ASSEMBLIES

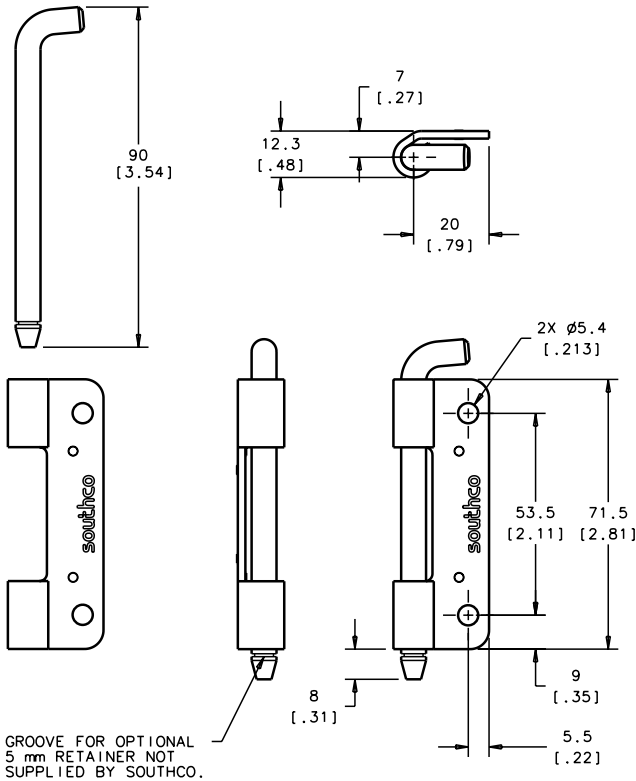
DATE	DRAWN	CHKD	SCALE
07OCT99	RJB		0.75:1

DRAWING NUMBER  
J-F6-2-1

REV	DATE	DRAWN/CHKD	DESCRIPTION	LEAF SUB-ASSEMBLY PART NUMBERS		
				REMOVABLE PIN TYPE	RETRACTABLE PIN	
A	03OCT2005	MDY/AJH	PRN: P2005-1355			
B	14MAR2007	JHV/AJH	PRN: P2007-0356			
				F6-946		
				F6-946-5	F6-941-5	F6-942-5
					MATERIAL & FINISH	
					STEEL, ZINC PL, BRIGHT	
					300 STINLESS STL, PASSIVATE	

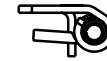
DUAL DIMENSIONS mm [INCH]
ALL DIMENSIONS WITHOUT TOLERANCES ARE FOR REFERENCE ONLY.
THIRD ANGLE PROJECTION
A3 PAPER SIZE

**DOOR LEAF  
REMOVABLE PIN TYPE**

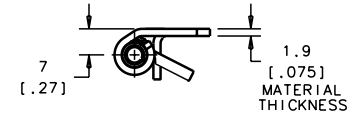


**DOOR LEAF  
RETRACTABLE PIN TYPE**

**TYPE B  
(ENGAGED)**



**TYPE A  
(ENGAGED)**



**TYPE A  
(DISENGAGED)**

