

southco
 PROPRIETARY ITEM - EXCEPT FOR USES EXPRESSLY GRANTED IN WRITING INFORMATION NOT DISCLOSED HEREON IS CONFIDENTIAL AND ALL RIGHTS PATENT AND OTHERWISE ARE RESERVED BY SOUTHCO, INC.
 A 103NOV2008 IR/DLH RELEASED FOR PRODUCTION
 B 125NOV2008 IR/ACH PRN: P2008-1345
 C 104 FEB 09 IR/ACH PRN: P2009-0162
 D 22SEP2014 QMS/RGL PRN: P2014-1872
 E 22APR2016 QMS/MLS PRN: P2016-0894
 F 10JUL2016 QMS/LCK PRN: P2016-1781
 G 10BCT2018 QMS/ODW PRN: P2018-2334
 H 12JUL2021 QMS/DMS PRN: P2021-1399

DRAWING NUMBER	J-H3-50-101-0
DRAWING CHKD	DNS
SCALE	MILLIMETERS
DATE	15 MAY 08
MATERIAL	STEEL
FINISH/COLOR	ZINC PLATE
DESCRIPTION	SWINGHANDLE LATCH, GEARBOX, INDOOR, 25x125 SIZE
MATERIAL	STAINLESS
FINISH/COLOR	PASSIVATED
DESCRIPTION	BLACK POWDERCOAT
MATERIAL	ZAMAC 3
FINISH/COLOR	NATURAL
DESCRIPTION	CHROME PLATE
MATERIAL	NATURAL/BLACK
FINISH/COLOR	
DESCRIPTION	HANDLE COVER
MATERIAL	DISC SPRING
DESCRIPTION	DUMMY CAM
MATERIAL	MTC BRACKETS
DESCRIPTION	M4X0.7 SCREWS
MATERIAL	CAM SCREWS
DESCRIPTION	HANDLE PIN
MATERIAL	PAWL SPRING
DESCRIPTION	RETAINER
MATERIAL	

PART NUMBER: H3-50-**A** **LL**-0**FF**

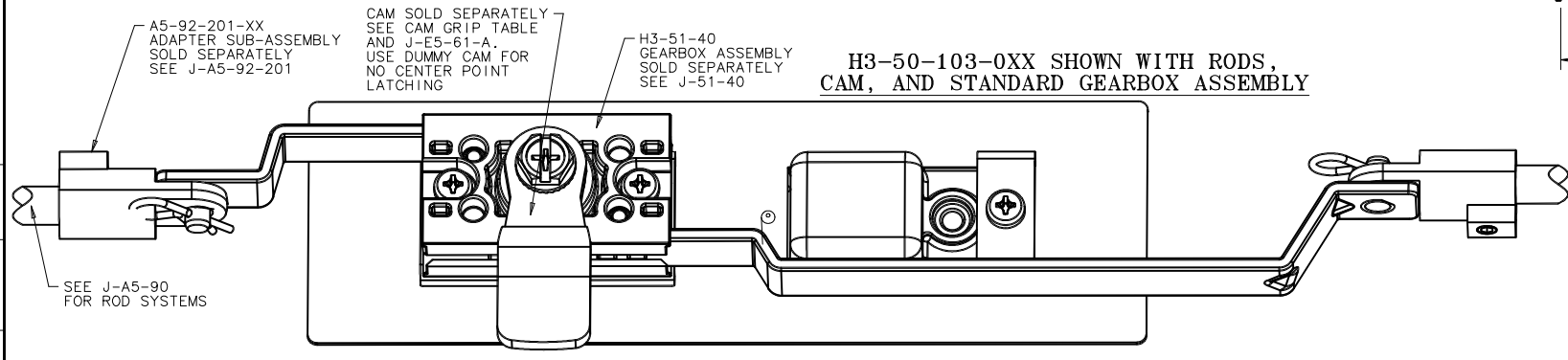
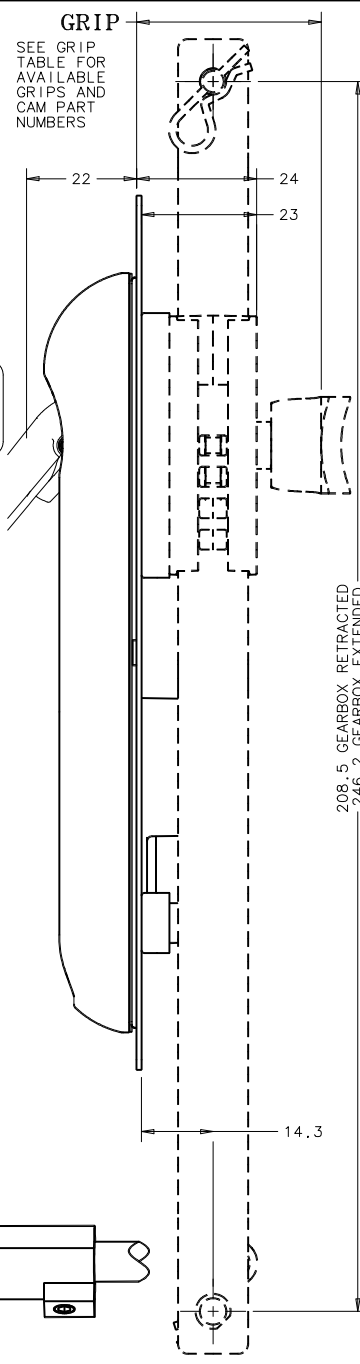
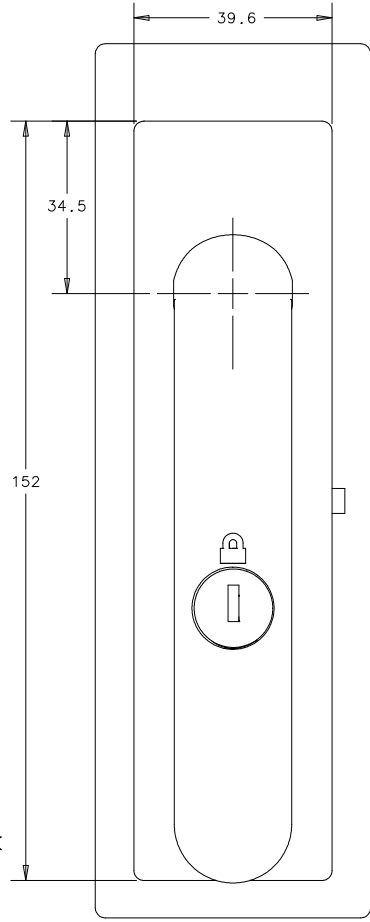
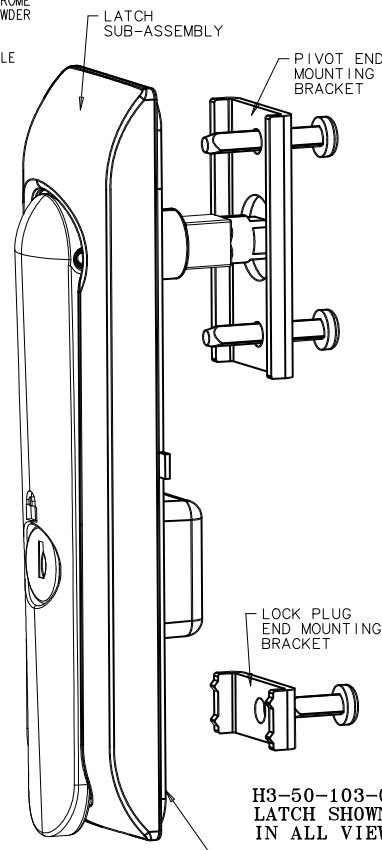
- PADLOCK/SERIES:
- 1 = NO PADLOCK, MULTIPoint, GEARBOX
 - 2 = PADLOCK, MULTIPoint, GEARBOX
 - 3, 4 = ACTUATOR VERSIONS
- LOCKING OPTIONS:
- 00 = NO LOCK PROVIDED (DIN ONLY)
 - 01 = CH751
 - 02 = 300
 - 03 = 333
 - 04 = NON LOCKING
 - 20 = NON LOCKING DIN WITH DETENT
 - 21 = DIN CH751
 - 22 = DIN 300
 - 23 = DIN 333
 - 24 = DIN, W/O LOCK PLUG
 - 40 = TOOL, 3mm DOUBLE BIT
 - 41 = TOOL, 5mm DOUBLE BIT
 - 42 = TOOL, TELCORDIA 216 (BELL CORE)
 - 43 = TOOL, ELECTRONICS KEY
 - 45 = TOOL, 8mm HEX RECESS
 - 47 = TOOL, 8mm TRIANGLE
 - 70 = DIN TOOL, 3mm DOUBLE BIT
 - 71 = DIN TOOL, 5mm DOUBLE BIT
 - 72 = DIN TOOL, TELCORDIA 216
 - 73 = DIN TOOL, ELECTRONICS KEY
 - 77 = DIN TOOL, 8mm TRIANGLE
 - 78 = DIN TOOL, 7mm SQUARE
- ASSEMBLY FINISH:
- 44 = SATIN CHROME
 - 50 = BLACK POWDER COAT
- OTHERS AVAILABLE UPON REQUEST
- COVERED IN J-H3-50-301-0 OR J-H3-50-301-1

SEE SHEET 2 FOR VIEWS OF DIN AND TOOL ACCESS VERSIONS

GRIP TABLE
CAM
PART No. E5-61YY

YY	GRIP	YY	GRIP
09	24.9	16	38.9
10	26.9	17	40.9
11	28.9	18	42.9
12	30.9	19	44.9
13	32.9	20	46.9
14	34.9	21	48.9
15	36.9	22	50.9

YY=07-10, SEE J-E5-61-B (FLAT CAM)
 YY=11-22, SEE J-E5-61-A (FLAT CAM)
 YY=09-22, SEE J-E5-71 (ROLLER CAM)



SEE J-A5-90 FOR ROD SYSTEMS

A5-92-201-XX ADAPTER SUB-ASSEMBLY SOLD SEPARATELY SEE J-A5-92-201

CAM SOLD SEPARATELY SEE CAM GRIP TABLE AND J-E5-61-A. USE DUMMY CAM FOR NO CENTER POINT LATCHING

H3-51-40 GEARBOX ASSEMBLY SOLD SEPARATELY SEE J-51-40

H3-50-103-0XX SHOWN WITH RODS, CAM, AND STANDARD GEARBOX ASSEMBLY

