

REV	DATE	DRAWN/CHKD	DESCRIPTION	DESCRIPT I O N	MATERIAL	FINISH/COLOR	DESCRIPTION	FINISH/COLOR	DRAWING NUMBER
A	03NOV2008	IR/DLH	RELEASED FOR PRODUCTION						J-H3-50-301-0
B	25NOV2008	IR/ACH	PRN: P2008-1345	HOUSING	ZAMAC 3	BLACK POWDERCOAT	DISC SPRING	STEEL	MILLIMETERS
C	04 FEB 09	IR/ACH	PRN: P2009-0162	TOOL ACTUATOR					
D	25FEB2016	MJS/MSR	PRN: P2016-0413	SHAFT		NATURAL	DUMMY CAM		
E	27APR2016	MJS/MSR	PRN: P2016-0961	ROTATION LIMITER			MTC BRACKETS		
F	22DEC2017	CMS/INBK	PRN: P2017-3133	LOCKING PAIL			M4X0.7 SCREWS		
G	06OCT2018	CMS/CDW	PRN: P2018-2334	LOCK PLUG		CHROME PLATE	CAM SCREW		
				DIN LOCK ASSY		NATURAL/BLACK	HANDLE PTIN	PASSIVATED	
				HANDLE BUMPER	SANTOPRENE		PANEL SPRING		
				SHAFT O-RING	BUNA-N		WAVE WASHER		
							RETAINER		

SWINGHANDLE LATCH, ACTUATOR, INDOOR, 25x125 SIZE

DRAWING NUMBER
J-H3-50-301-0
MILLIMETERS
ALL DIMENSIONS WITHOUT TOLERANCES ARE FOR REFERENCE ONLY.
A.3 PAPER SIZE
THIRD ANGLE PROJECTION
SHEET 1 OF 2

PART NUMBER: H3-50-A LL CCC -0 FF

FOR RS AND LS KEY CODES ONLY

PADLOCK/SERIES:
1, 2 = COVERED IN J-H3-50-101-0 OR J-H3-50-101-1
3 = NO PADLOCK, ACTUATOR
4 = PADLOCK, ACTUATOR

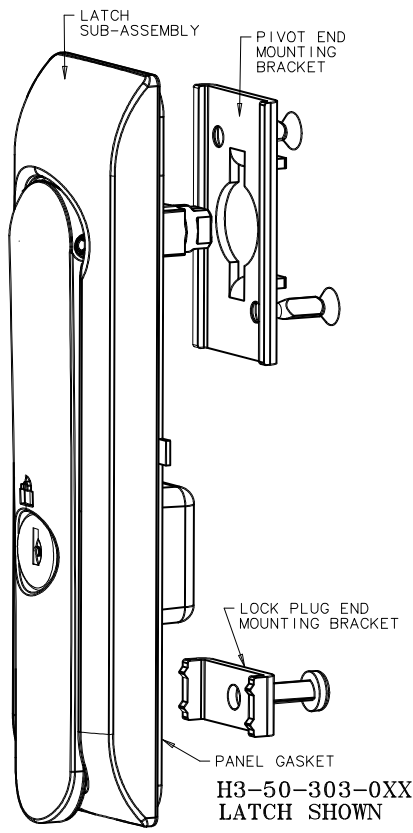
LOCKING OPTIONS:
00 = NO LOCK PROVIDED (DIN ONLY)
01 = CH751
02 = 300
03 = 333
04 = NON LOCKING
10 = RS CODES
11 = LS CODES
20 = NON LOCKING DIN WITH DETENT
21 = DIN CH751
22 = DIN 300
23 = DIN 333
24 = DIN, W/O LOCK PLUG
40 = TOOL, 3mm DOUBLE BIT
41 = TOOL, 5mm DOUBLE BIT
42 = TOOL, TELCORDIA 216 (BELLCORE)
43 = TOOL, ELECTRONICS KEY
45 = TOOL, 8mm HEX RECESS
47 = TOOL, 8mm TRIANGLE
70 = DIN TOOL, 3mm DOUBLE BIT
71 = DIN TOOL, 5mm DOUBLE BIT
72 = DIN TOOL, TELCORDIA 216
73 = DIN TOOL, ELECTRONICS KEY
77 = DIN TOOL, 8mm TRIANGLE

ASSEMBLY FINISH:
44 - SATIN CHROME
50 - BLACK POWDER COAT
OTHERS AVAILABLE UPON REQUEST

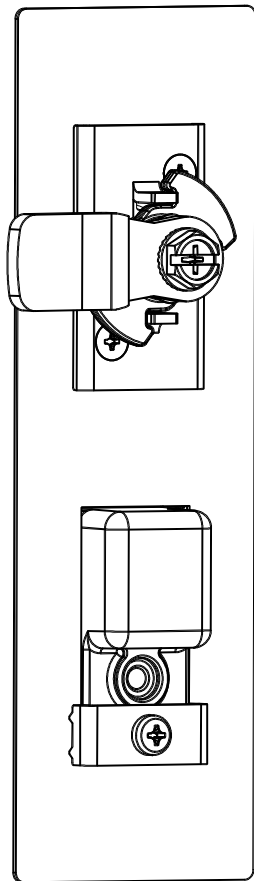
GRIP TABLE
CAM
PART No. E5-61YY

YY	GRIP	YY	GRIP
07	10.3	15	26.3
08	12.3	16	28.3
09	14.3	17	30.3
10	16.3	18	32.3
11	18.3	19	34.3
12	20.3	20	36.3
13	22.3	21	38.3
14	24.3	22	40.3

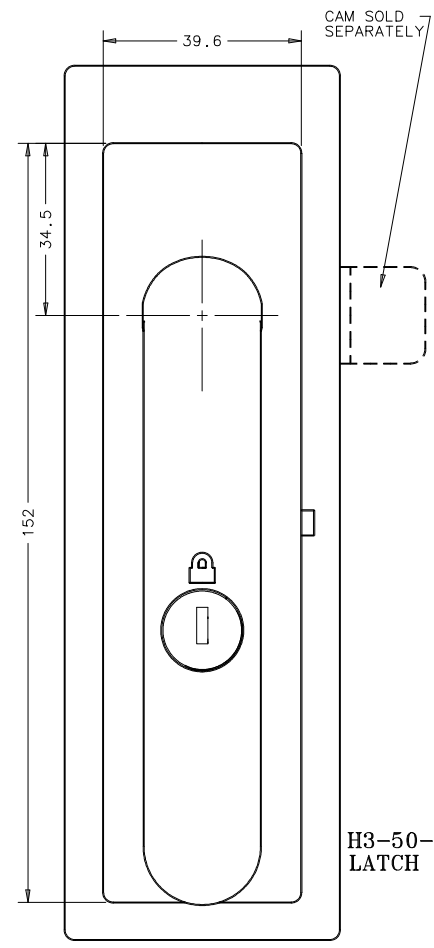
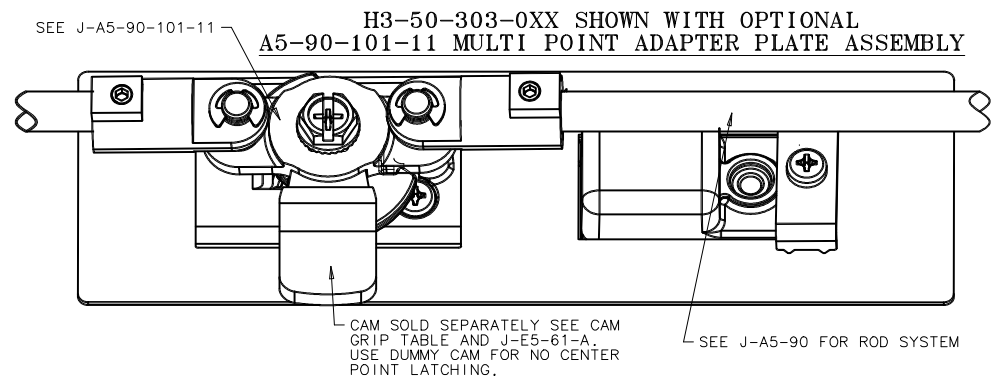
SEE J-E5-61-A (FLAT CAM)
SEE J-E5-71 (ROLLER CAM)



H3-50-303-0XX LATCH SHOWN



H3-50-303-0XX SHOWN AS A SINGLE POINT LATCH
SEE SHEET 2 FOR VIEWS OF DIN AND TOOL ACCESS VERSIONS



H3-50-303-0XX LATCH SHOWN

