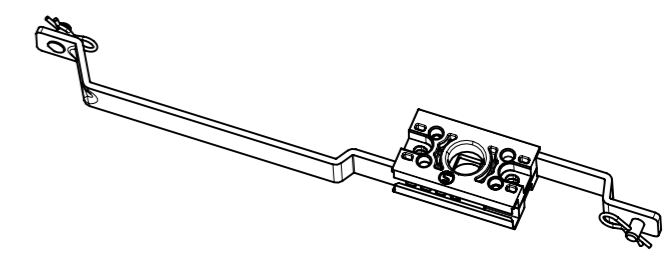
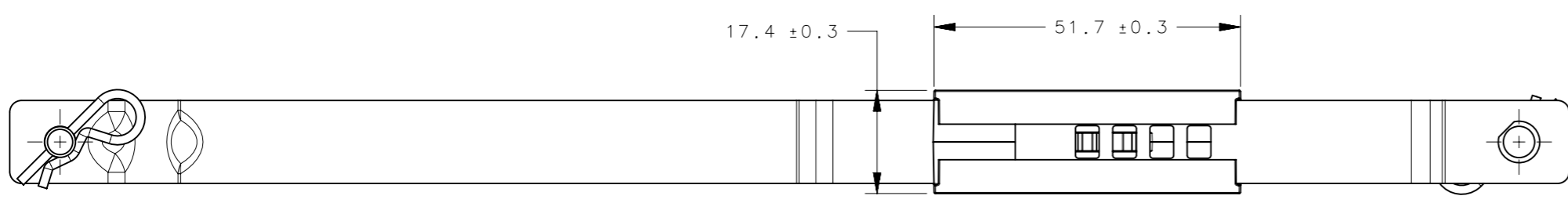
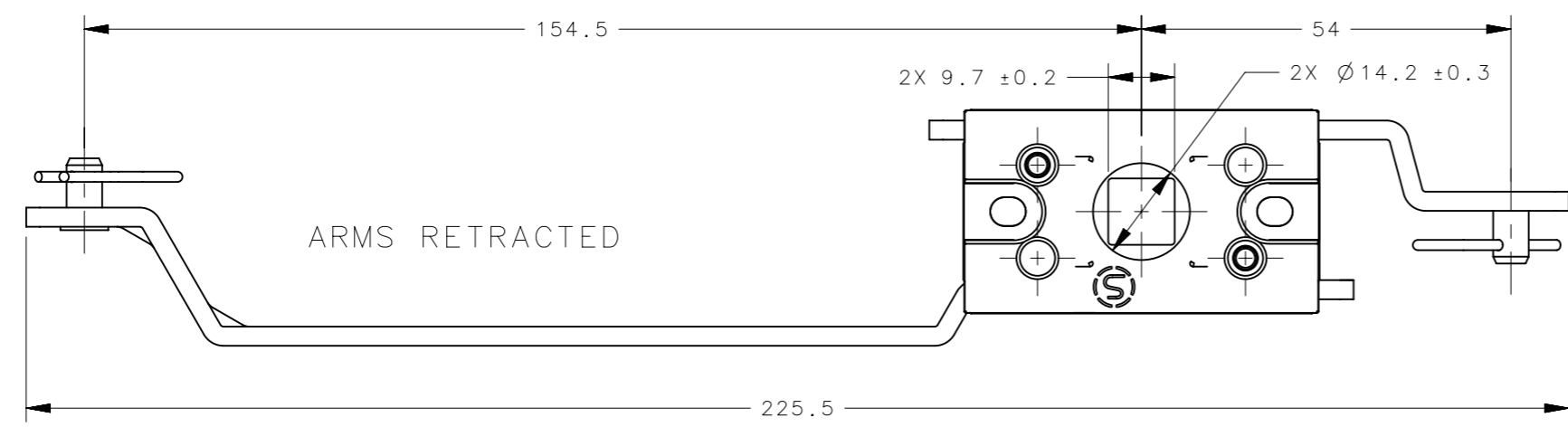
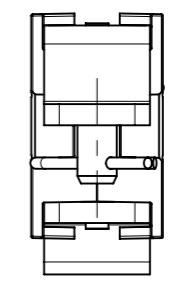
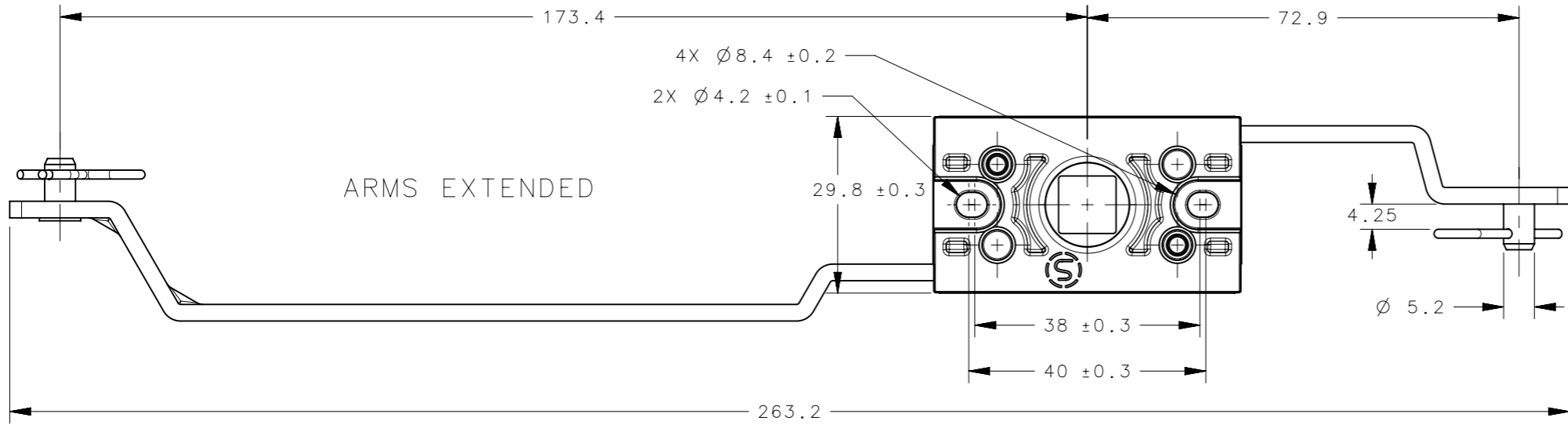


REVISION HISTORY			
REV	DATE	BY	DESCRIPTION
F	07FEB2023	PSP/DMS	PRN: P2023-0232



SCALE 1:3



- NOTES:
- ALL GEARBOX COMPONENTS ARE RoHS COMPLIANT.
  - GEARBOX STROKE: 18.9mm PER SIDE.
  - COSMETIC SPECIFICATION:  
ALL SURFACES UNLESS OTHERWISE NOTED ARE TO CONFIRM TO CLASS "C" DESIGNATION AS DESCRIBED IN SOUTHCO COSMETIC SPECIFICATIONS:  
S-121-05 FOR STAINLESS STEEL PARTS  
S-121-09 FOR NICKEL PLATING
  - SYMMETRIC DESIGN PROVIDES FOR BOTH RIGHT AND LEFT HAND ROTATION INSTALLATION.

NO.	PART NUMBER	QTY	TYPE OF COMPONENT	MATERIAL	FINISH
6	-	2	HAIRPIN COTTER	STAINLESS STEEL	PASSIVATED
5	-	1	ARM, LONG	STEEL	ZINC PLATE PLUS BRIGHT CHROMATE
4	-	1	ARM, SHORT	STEEL	ZINC PLATE PLUS BRIGHT CHROMATE
3	-	1	GEAR	STAINLESS STEEL	PASSIVATED
2	-	2	HOUSING HALF	DIE CAST ZINC	NATURAL
1	-	2	PIN, RACK	STAINLESS STEEL	PASSIVATED
-	H3-51-40	-	ASSEMBLY	-	-

THIRD ANGLE PROJECTION		
TOLERANCES UNLESS OTHERWISE NOTED	DESCRIPTION	
ALL DIMENSIONS WITHOUT TOLERANCES ARE FOR REFERENCE ONLY.	GEAR BOX ASSEMBLY	
PROPRIETARY ITEM <small>EXCEPT FOR USES EXPRESSLY GRANTED IN WRITING, INFORMATION DISCLOSED HEREON IS CONFIDENTIAL AND ALL RIGHTS, PATENT AND OTHERWISE, ARE RESERVED BY SOUTHCO, INC.</small>	SIZE A3	SYSTEM NX
PER ASME Y14.5M-1994	DWG NO. J-H3-51-40	SCALE 1:1
	DRAWN BY IR	DATE 23MAR2007
		SHEET 1 OF 1