

southco

PROPRIETARY ITEM - EXCEPT FOR USES EXPRESSLY GRANTED IN WRITING INFORMATION DISCLOSED HEREON IS CONFIDENTIAL AND ALL RIGHTS PATENT AND OTHERWISE ARE RESERVED BY SOUTHCO, INC.

No. 2.5 LINK LOCK
SPRING LOADED

DATE	DRAWN	CHKD	SCALE	DRAWING NUMBER
06AUG92	BWP		1.25:1	J-K4-2359

REV	DATE	DRAWN/CHKD	DESCRIPTION	ASSEMBLY	MATERIAL AND FINISH	KEEPER
A	31JUL95	MDM	PRN: K4-18	K4-2359-07	SEE NOTE A	K4-2338-07
B	03MAR2004	VNI/MJS	PRN: P2004-0221	K4-2359-77	SEE NOTE B	K4-2338-77

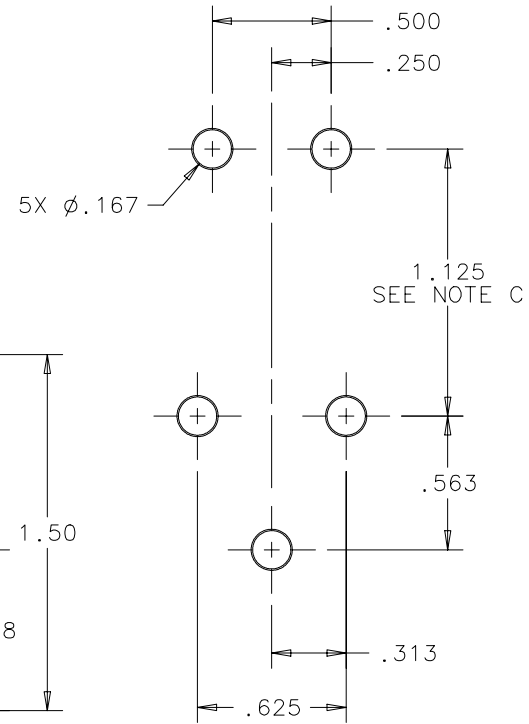
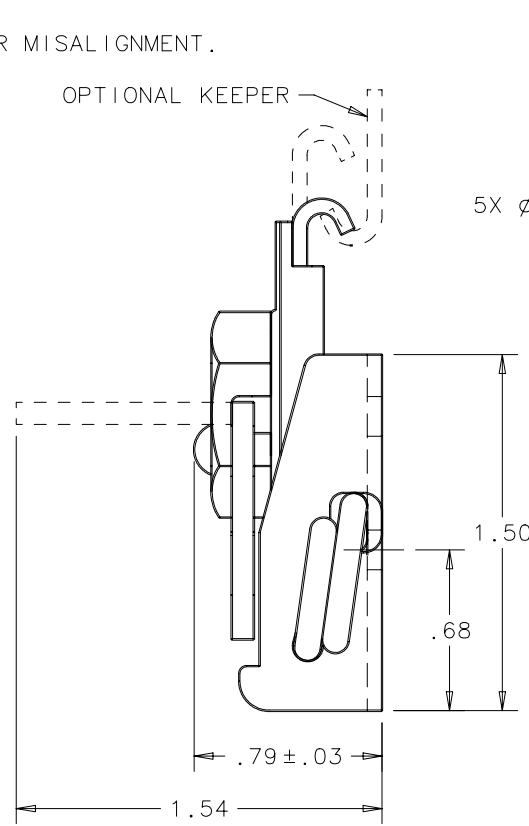
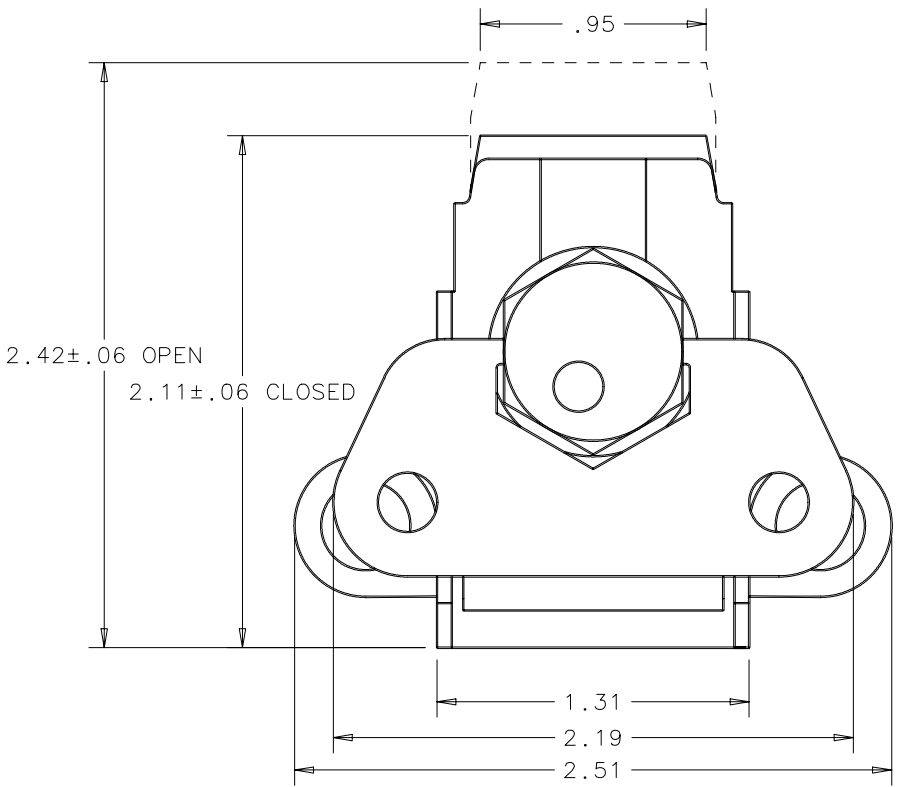
INCHES

ALL DIMENSIONS WITHOUT TOLERANCES ARE FOR REFERENCE ONLY.

THIRD ANGLE PROJECTION A PAPER SIZE

NOTES:

- A. MATERIAL AND FINISH:
1. ANCHOR PLATE, WING, HOUSING AND LOWER CAM: CARBON STEEL, ZINC PLATE, BRIGHT CHROMATE.
 2. SLIDE: HARDENED ALLOY STEEL, ZINC PLATE, BRIGHT CHROMATE.
 3. HEX CAM: POWDER METAL, ZINC PLATE, BRIGHT CHROMATE.
 4. SPRINGS: MUSIC WIRE, ZINC PLATE, BRIGHT CHROMATE.
 5. CAM RIVET AND CAM SPRINGS: STAINLESS STEEL, NATURAL.
- B. MATERIAL AND FINISH:
1. ANCHOR PLATE, WING, HOUSING AND LOWER CAM: CARBON STEEL, ZINC NICKEL PLATE, YELLOW CHROMATE.
 2. SLIDE: HARDENED ALLOY STEEL, ZINC NICKEL PLATE, YELLOW CHROMATE.
 3. HEX CAM: POWDER METAL, ZINC NICKEL PLATE, YELLOW CHROMATE.
 4. SPRINGS: MUSIC WIRE, ZINC NICKEL PLATE, YELLOW CHROMATE.
 5. CAM RIVET AND CAM SPRINGS: STAINLESS STEEL, NATURAL.
- C. SPRING LOADED ANCHOR PLATE COMPENSATES UP TO .156 INCHES FOR MISALIGNMENT.



PANEL PREPARATION