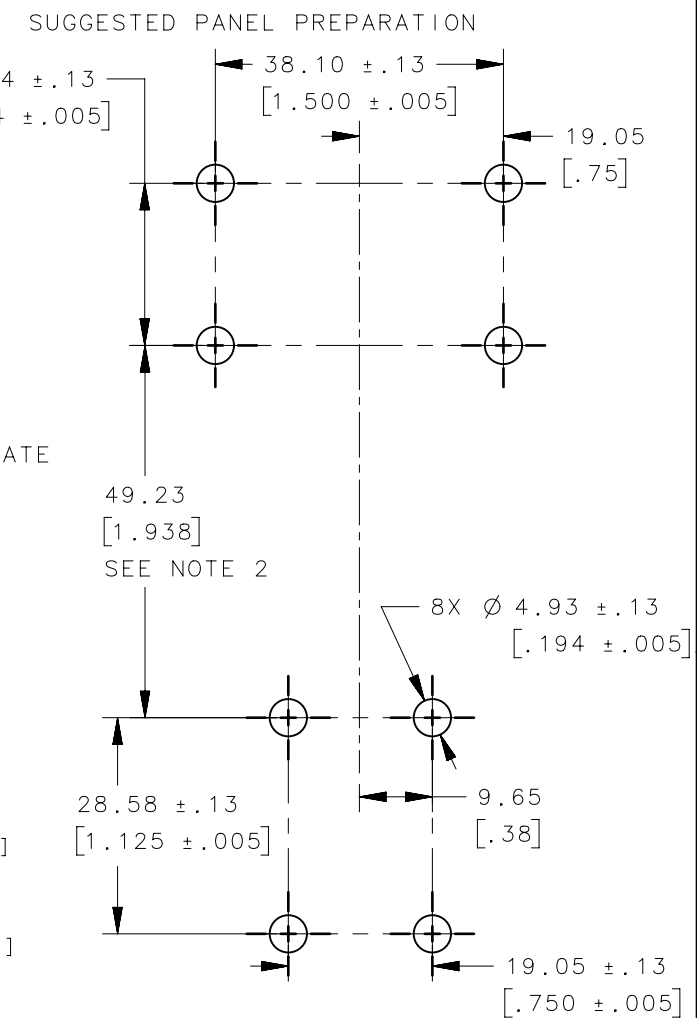
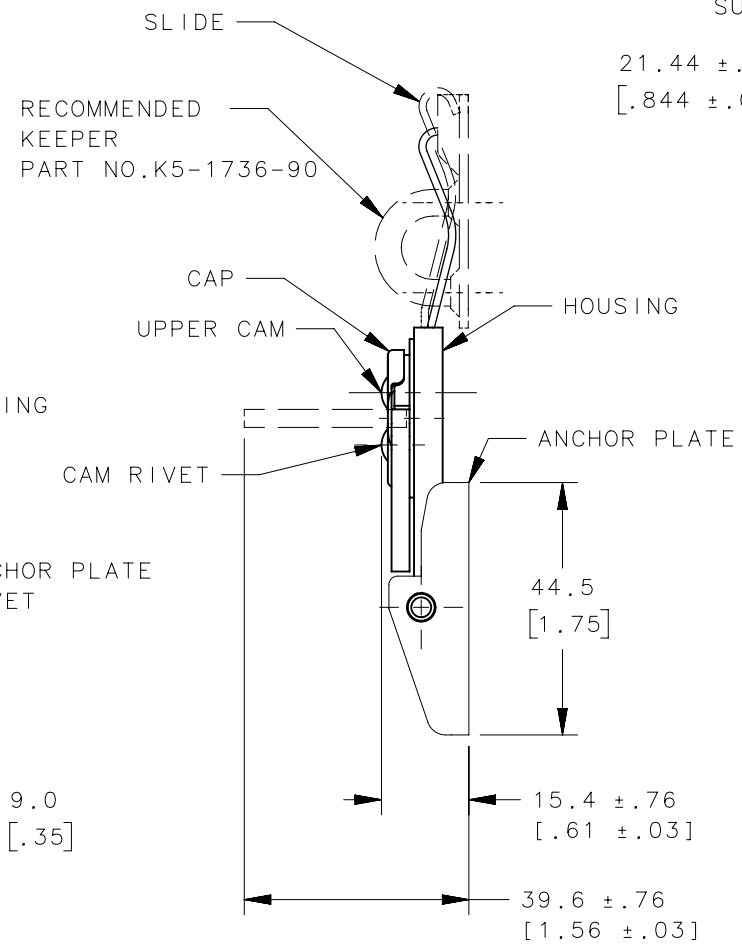
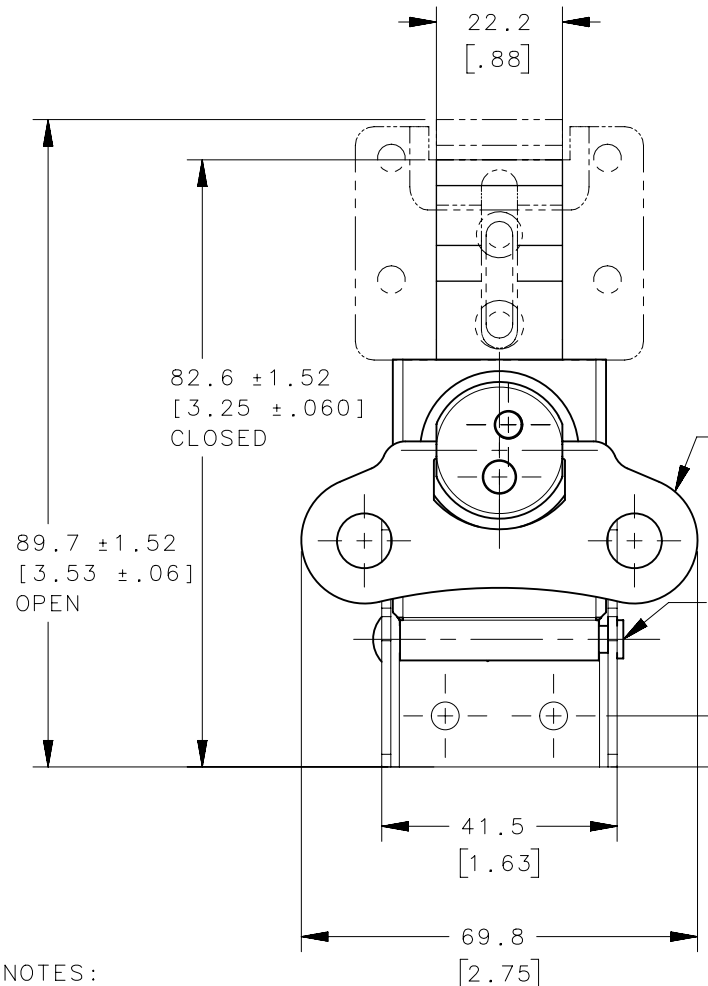


REVISION HISTORY			
REV	DATE	BY	DESCRIPTION
F	23APR2021	KSH/VK	PRN: P2021-0802



- NOTES:
- MATERIAL AND FINISH:  
 ANCHOR PLATE , WING, LOWER CAM , ANCHOR PLATE RIVET:  
 -07: CARBON STEEL, ZINC NICKEL PLATE, BRIGHT CHROMATE DIP.  
 HOUSING AND SLIDE:  
 -07: HARDENED ALLOY STEEL, ZINC NICKEL PLATE, BRIGHT CHROMATE DIP.  
 CAP, CAM RIVET, UPPER CAM:  
 -07: STAINLESS STEEL, NATURAL
  - SPRING LOADED ANCHOR PLATE COMPENSATES UPTO 3.96[.156] FPR MISALIGNMENT.

K5-1993-07		ASSEMBLY		SEE NOTE 1		SEE NOTE 1	
PART NUMBER		TYPE OF COMPONENT		MATERIAL		FINISH	
CPB NUMBER	STANDARD	THIRD ANGLE PROJECTION		 CONNECT • CREATE • INNOVATE			
		MILLIMETERS [IN]					
		TOLERANCES UNLESS OTHERWISE NOTED					
ALL DIMENSIONS WITHOUT TOLERANCES ARE FOR REFERENCE ONLY.				DESCRIPTION K5 LINK LOCK, PADLOCKABLE			
PROPRIETARY ITEM		SIZE A4	SYSTEM NX	DWG NO. J-K5-1993			
<small>EXCEPT FOR USES EXPRESSLY GRANTED IN WRITING, INFORMATION DISCLOSED HEREON IS CONFIDENTIAL AND ALL RIGHTS, PATENT AND OTHERWISE, ARE RESERVED BY SOUTHCO, INC.</small>				DRAWN BY SWD	DATE 25JUN1997	SCALE 0.75:1	SHEET 1 OF 1