

southco

PROPRIETARY ITEM - EXCEPT FOR USES EXPRESSLY GRANTED IN WRITING INFORMATION DISCLOSED HEREON IS CONFIDENTIAL AND ALL RIGHTS PATENT AND OTHERWISE ARE RESERVED BY SOUTHCO, INC.

DATE: 11MAY2006
 DRAWN/CHKD: MDY/MJS
 PRN: P2006-0675

ITEM DESCRIPTION: LATCH ASSEMBLY

COMPONENT: LATCH ASSEMBLY

PART NUMBER: M1-25-4X-XX

MATERIAL: -

FINISH: -

DATE: 24MAY2002
 DRAWN/CHKD: AJH

REMARKS: LOCKABLE
 NON-LOCKABLE
 KEY LOCKABLE

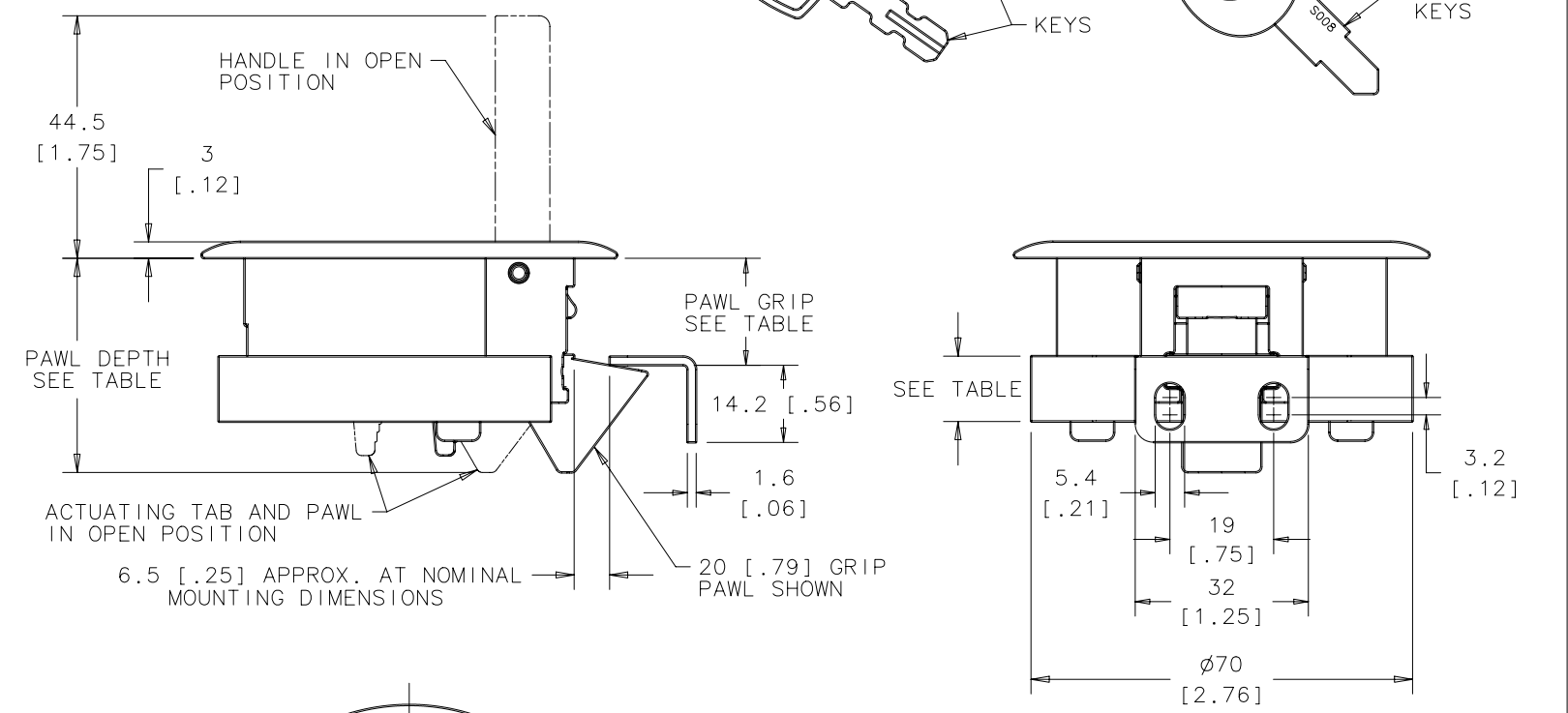
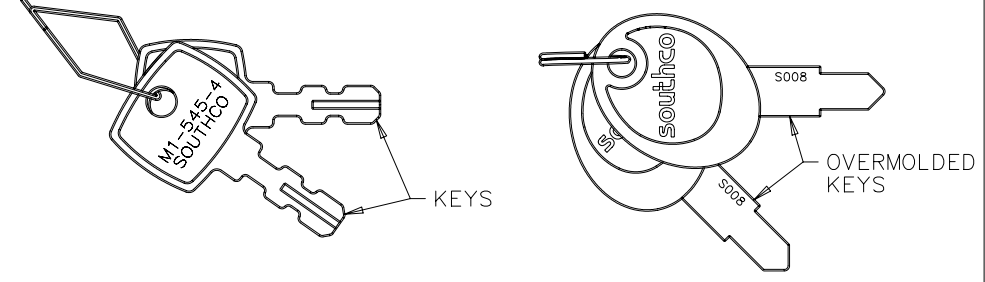
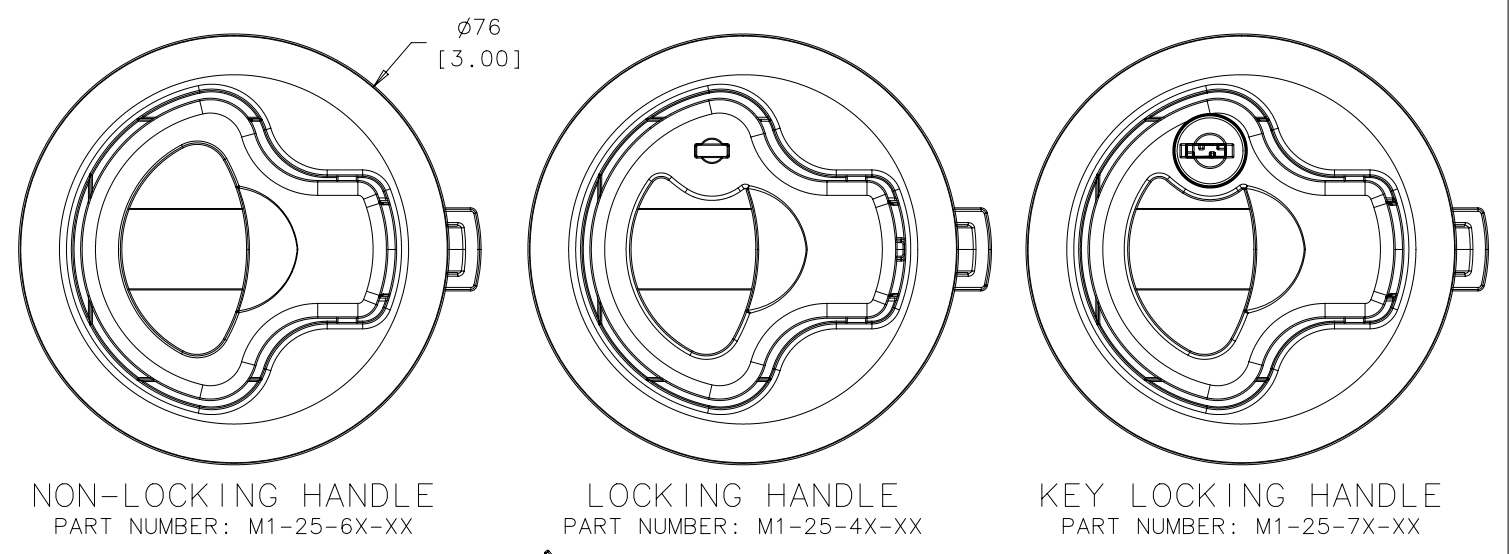
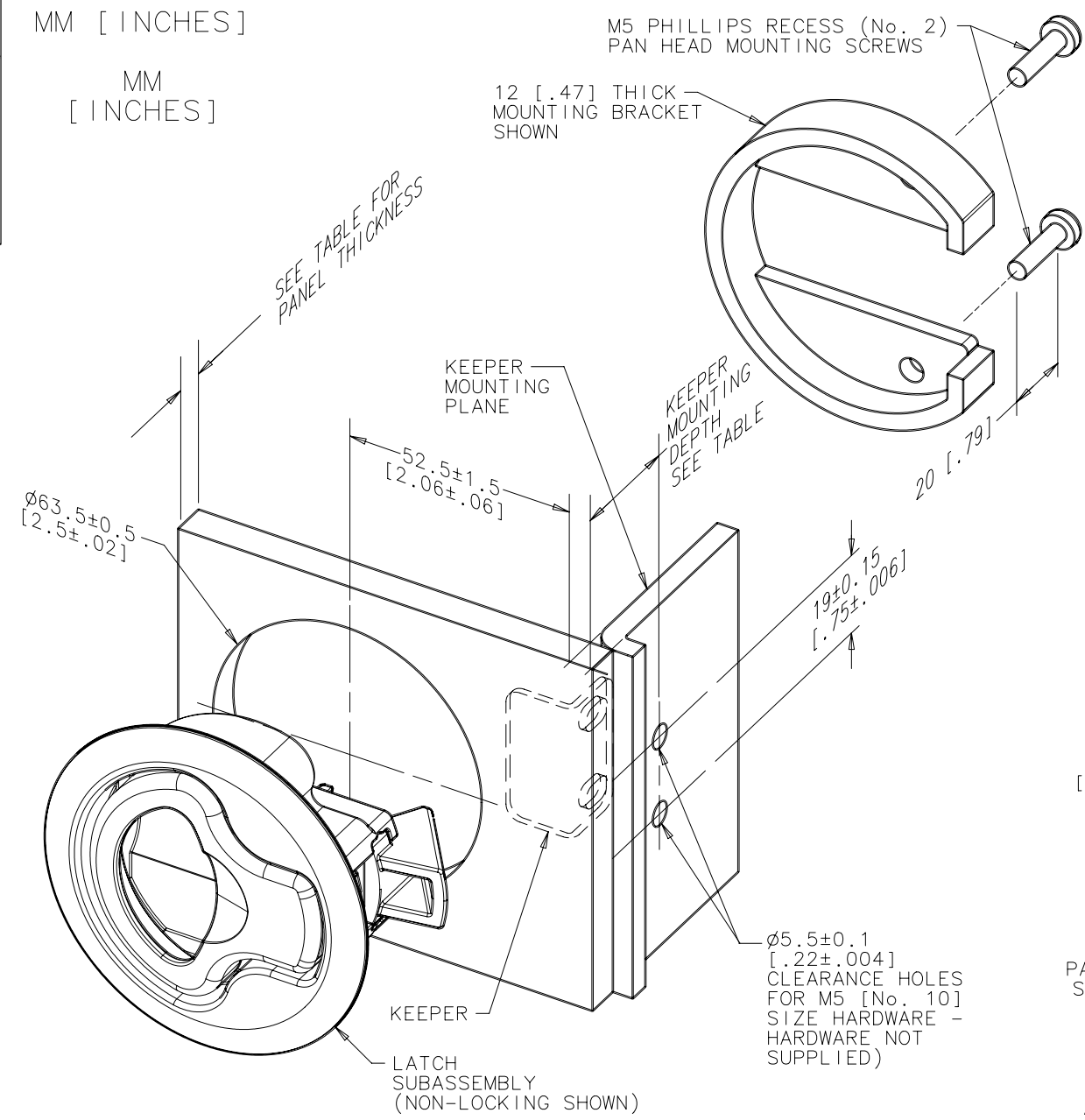
SCALE: 0.75:1

DRAWING NUMBER: J-M1-25-61-8

ALL DIMENSIONS WITHOUT TOLERANCES ARE FOR REFERENCE ONLY.

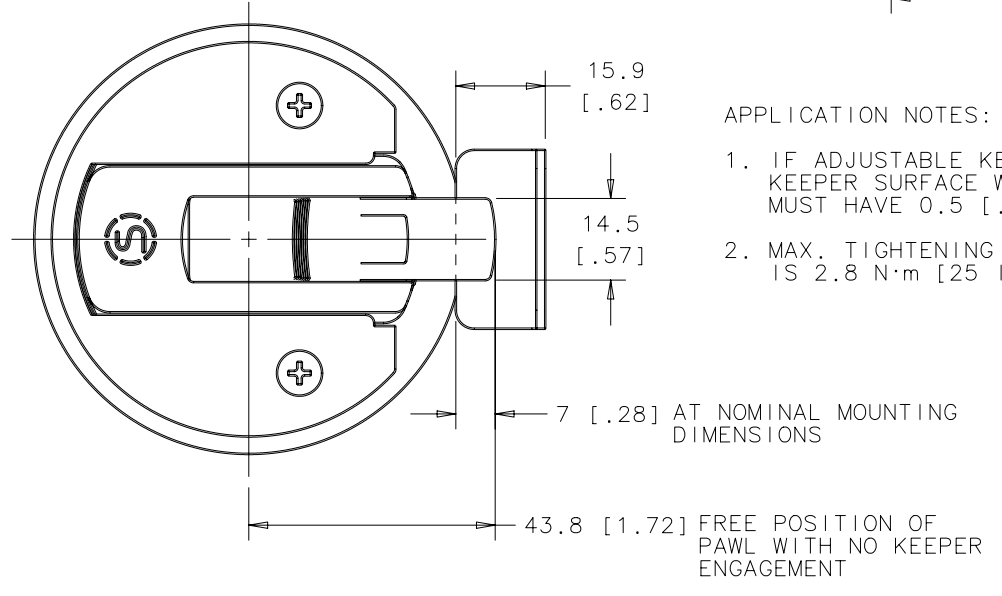
A3 PAPER SIZE
 THIRD ANGLE PROJECTION

MM [INCHES]
 MM [INCHES]



- NOTES:
- A. MATERIAL AND FINISH:
- HOUSING, HANDLE, PAWL, LOCKPLUG (LOCKING ONLY), AND MOUNTING BRACKETS: CF-8M STAINLESS STEEL (NOMINAL CAST EQUIVALENT OF 316 STAINLESS STEEL), ELECTROPOLISHED
 - PIN: 302 STAINLESS STEEL, PASSIVATED
 - KEYS, SPRINGS, KEEPER, SCREWS AND LOCK PLUG RETAINING RING: 300 SERIES STAINLESS STEEL, PASSIVATED
 - OVERMOLDED KEYS: BRASS, NICKEL PLATED / OVERMOLD: ABS PLASTIC, BLACK
 - KEY RING: STAINLESS STEEL
 - LOCKPLUG O-RING: BUNA-N, NATURAL
 - LOCKPLUG (KEY LOCKING ONLY): 316 STAINLESS STEEL

| PART NUMBER | PANEL THICKNESS | MOUNTING BRACKET HEIGHT | PAWL GRIP | PAWL DEPTH | KEEPER MOUNTING DEPTH |
|-------------|---------------------|-------------------------|-----------|-------------|-----------------------|
| M1-25-41-18 | | | 20 [.79] | 39.5 [1.56] | 27 [1.06] |
| M1-25-61-18 | | | | | |
| M1-25-71-18 | 2-12 [.075-.475] | 22 [.87] | | | |
| M1-25-41-28 | | | 32 [1.26] | 48.5 [1.91] | 39 [1.54] |
| M1-25-61-28 | | | | | |
| M1-25-71-28 | | | | | |
| M1-25-42-18 | | | 20 [.79] | 39.5 [1.56] | 27 [1.06] |
| M1-25-62-18 | | | | | |
| M1-25-72-18 | 12-22.5 [.475-.875] | 12 [.48] | | | |
| M1-25-42-28 | | | 32 [1.26] | 48.5 [1.91] | 39 [1.54] |
| M1-25-62-28 | | | | | |
| M1-25-72-28 | | | | | |



- APPLICATION NOTES:
1. IF ADJUSTABLE KEEPER IS NOT USED, EDGE OF KEEPER SURFACE WHICH PAWL SLIDES AGAINST MUST HAVE 0.5 [.02] RADIUS MIN.
 2. MAX. TIGHTENING TORQUE ON MOUNTING SCREWS IS 2.8 N·m [25 lb·in].