

6

5

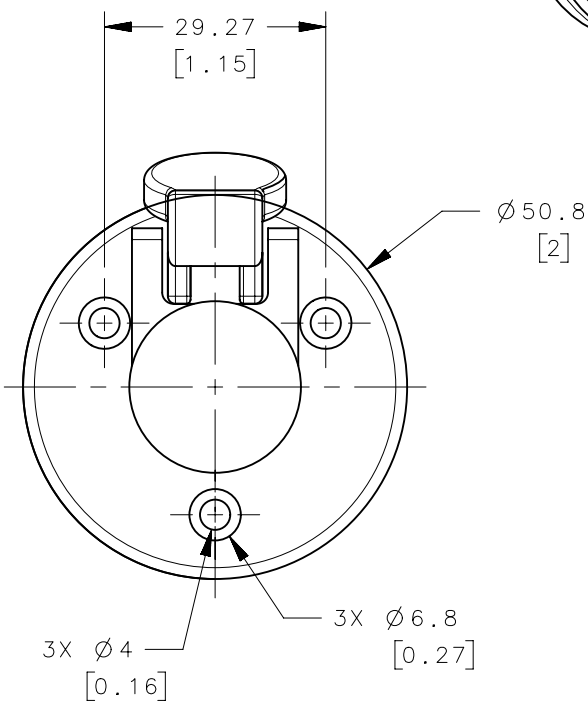
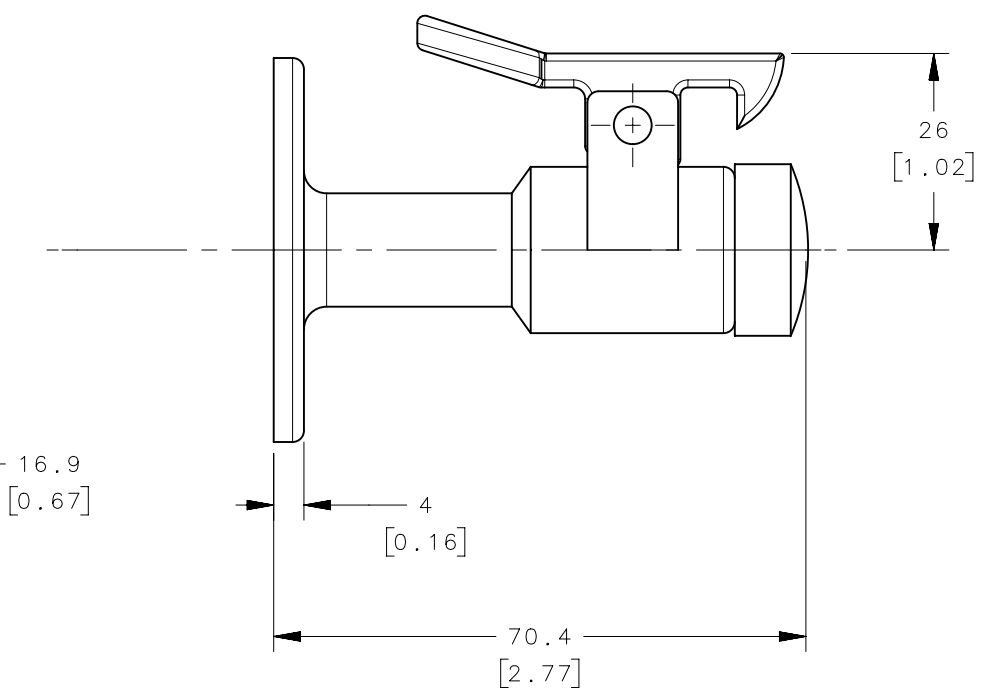
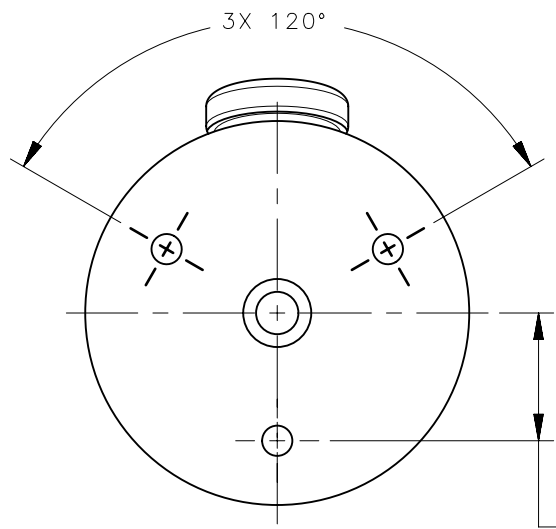
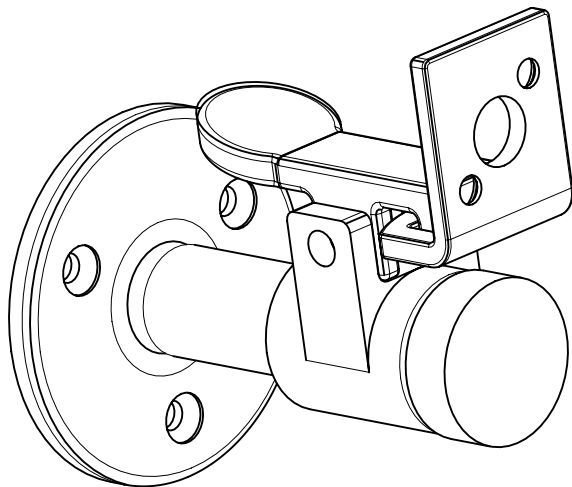
4

3

2

1

REVISION HISTORY			
REV	DATE	BY	DESCRIPTION
B	25AUG2021	SSW/MBT	PRN: P2021-1693



PANEL PREPARATION

NOTES:

A. MATERIAL AND FINISH:

- BUMPER - RUBBER
- SPRING - 304 STAINLESS STEEL, PASSIVATED.
- STRIKER, PAWL, AND BASE - CF-8M STAINLESS STEEL (NOMINAL CAST EQUIVALENT OF 316 STAINLESS STEEL), POLISHED.

M5-10-261-8		ASSEMBLY	SEE NOTE A	SEE NOTE A
SOUTHCO PART NUMBER		ITEM	MATERIAL	FINISH
THIRD ANGLE PROJECTION				
MILLIMETERS [IN]				
SURFACE AREA		TOLERANCES UNLESS OTHERWISE NOTED		
VOLUME		ALL DIMENSIONS WITHOUT TOLERANCES ARE FOR REFERENCE ONLY.		
PROPRIETARY ITEM		PER ASME Y14.5M-1994		
EXCEPT FOR USES EXPRESSLY GRANTED IN WRITING, INFORMATION DISCLOSED HEREON IS CONFIDENTIAL AND ALL RIGHTS, PATENT AND OTHERWISE, ARE RESERVED BY SOUTHCO, INC.				
DESCRIPTION		DOOR STOP CATCH HORIZONTAL		
SIZE	SYSTEM	DWG NO.		
B	NX	J-M5-10-261		
DRAWN BY		DATE	SCALE	SHEET
RLR		12JAN2009	1:1	1 OF 1

6

5

4

3

2

1